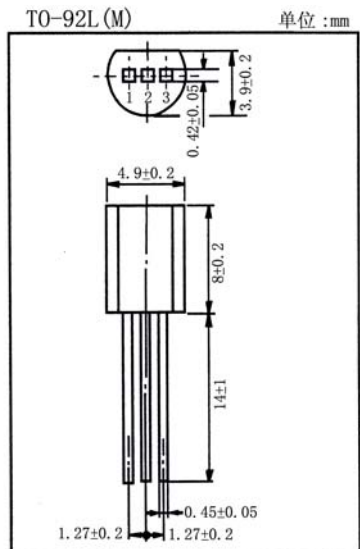


用途:用于低频功率放大及电子自动调速器。

Purpose: Low frequency power amplifier, electronic governor applications.

极限参数/Absolute Maximum Ratings (Ta=25°C)

| 参数符号<br>Symbol   | 数值<br>Rating | 单位<br>Unit |
|------------------|--------------|------------|
| V <sub>CB0</sub> | 25           | V          |
| V <sub>CE0</sub> | 25           | V          |
| V <sub>EBO</sub> | 5.0          | V          |
| I <sub>C</sub>   | 1.0          | A          |
| I <sub>CP</sub>  | 2.0          | A          |
| P <sub>C</sub>   | 900          | mW         |
| T <sub>j</sub>   | 150          | °C         |
| T <sub>stg</sub> | -55~150      | °C         |



引脚: 1. E 2. C 3. B

电性能参数/Electrical Characteristics (Ta=25°C)

| 参数符号<br>Symbol       | 测试条件<br>Test Condition |                      | 数值<br>Rating |            |            | 单位<br>Unit |
|----------------------|------------------------|----------------------|--------------|------------|------------|------------|
|                      |                        |                      | 最小值<br>Min   | 典型值<br>Typ | 最大值<br>Max |            |
| V <sub>CB0</sub>     | I <sub>C</sub> =10 μA  | I <sub>E</sub> =0    | 25           |            |            | V          |
| V <sub>CE0</sub>     | I <sub>C</sub> =1.0mA  | I <sub>B</sub> =0    | 25           |            |            | V          |
| V <sub>EBO</sub>     | I <sub>E</sub> =10 μA  | I <sub>C</sub> =0    | 5.0          |            |            | V          |
| I <sub>CB0</sub>     | V <sub>CB</sub> =20V   | I <sub>E</sub> =0    |              |            | 1.0        | μA         |
| I <sub>EBO</sub>     | V <sub>EB</sub> =4.0V  | I <sub>C</sub> =0    |              |            | 1.0        | μA         |
| h <sub>FE(1)</sub>   | V <sub>CE</sub> =2.0V  | I <sub>C</sub> =50mA | 60           |            | 560        |            |
| h <sub>FE(2)</sub>   | V <sub>CE</sub> =2.0V  | I <sub>C</sub> =1.0A | 30           |            |            |            |
| V <sub>CE(sat)</sub> | I <sub>C</sub> =500mA  | I <sub>B</sub> =50mA |              | 0.1        | 0.3        | V          |
| V <sub>BE(sat)</sub> | I <sub>C</sub> =500mA  | I <sub>B</sub> =50mA |              | 0.85       | 1.2        | V          |
| f <sub>T</sub>       | V <sub>CE</sub> =10V   | I <sub>C</sub> =50mA |              | 180        |            | MHz        |
| C <sub>ob</sub>      | V <sub>CB</sub> =10V   | I <sub>E</sub> =0    | f=1.0MHz     | 15         |            | pF         |

h<sub>FE(1)</sub> 分档/h<sub>FE(1)</sub> Classifications: D:60~120 E:100~200 F:160~320 G:280~560



# 2SD400 (3DG400)

