

## 2.4W Stereo Audio Power Amplifier (with Gain Setting) & Capfree Headphone Driver

### Features

- **Operating Voltage**
  - $HV_{DD} = 3.0\sim 3.6V$
  - $V_{DD} = 4.5\sim 5.5V$
- **No Output Capacitor at Headphone Amplifier Required**
- **Meeting VISTA Requirement**
- **Low Distortion**
  - AMP Mode**
    - THD+N=56dB, at  $V_{DD} = 5V, R_L = 4W, P_o=1.5W$
    - THD+N=64dB, at  $V_{DD} = 5V, R_L = 8W, P_o=0.9W$
  - HP Mode**
    - THD+N=73dB, at  $HV_{DD}=3.3V, R_L=16W, P_o=125mW$
    - THD+N=77dB, at  $HV_{DD}=3.3V, R_L=32W, P_o=88mW$
    - THD+N=85dB, at  $HV_{DD}=3.3V, R_L=10kW, V_o=1.7V_{rms}$
- **Output Power at 1% THD+N**
  - 1.9W, at  $V_{DD} = 5V, AMP Mode, R_L = 4W$
  - 1.2W, at  $V_{DD} = 5V, AMP Mode, R_L = 8W$
- **at 10% THD+N**
  - 2.4W at  $V_{DD} = 5V, AMP Mode, R_L = 4W$
  - 1.5W at  $V_{DD} = 5V, AMP Mode, R_L = 8W$
- **Depop Circuitry Integrated**
- **Internal 19-Steps Gain Setting for Flexible Application**
- **Thermal Shutdown Protection and Over-Current Protection Circuitry**
- **High Supply Voltage Ripple Rejection**
- **Surface-Mount Packaging**
  - TQFN4x4-28 (with Enhanced Thermal Pad)
- **Lead Free and Green Devices Available (RoHS Compliant)**

### Applications

- Note Book PCs
- LCD Monitor

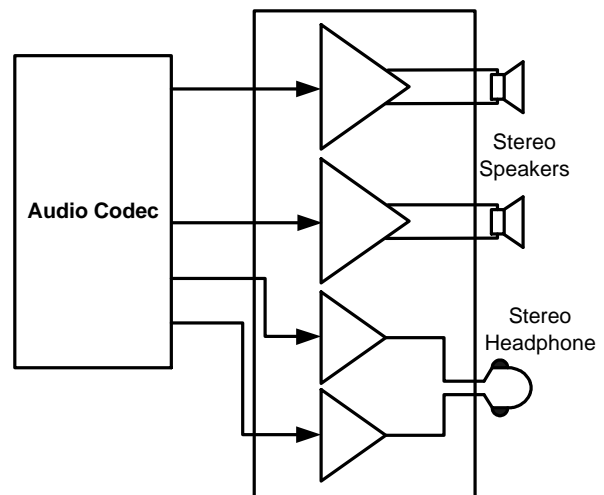
### General Description

The APA2051 is a monolithic integrated circuit, which combines a stereo power amplifier and a stereo output capacitor-less headphone amplifier. The stereo power amplifier provides 19-steps gain setting for flexible application. The headphone amplifier is ground-reference output, and no need the output capacitors for DC blocking. The advantages of eliminating the output capacitor are saving cost, PCB's space, and component height.

Both the de-pop circuitry and the thermal shutdown protection circuitry are integrated in the APA2051, which reduces pops and clicks noise during power on/off and in shutdown mode. Thermal shutdown protects the chip from being destroyed by over-temperature failure. To simplify the audio system design in notebook computer applications, the APA2051 provides the internal gain setting, and these features can minimize components and PCB area.


The APA2051 is available in TQFN4x4-28 package. This package is characterized by space saving and thermal efficiency.

### Simplified Application Circuit



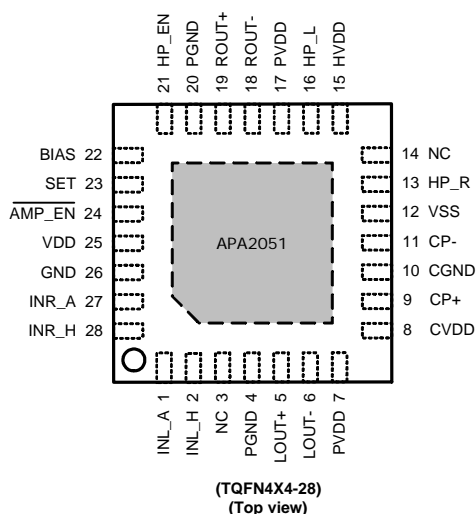
ANPEC reserves the right to make changes to improve reliability or manufacturability without notice, and advise customers to obtain the latest version of relevant information to verify before placing orders.

## Ordering and Marking Information

<p>APA2051    □□□-□□ □</p> <pre>     □□□-□□ □                            --- Assembly Material              --- Handling Code              --- Temperature Range              --- Package Code     </pre>	<p>Package Code          QB : TQFN4x4-28          Operating Ambient Temperature Range          I : -40 to 85 °C          Handling Code          TR : Tape &amp; Reel          Assembly Material          G : Halogen and Lead Free Device</p>
<p>APA2051 QB :</p> 	<p>XXXXX - Date Code</p>

Note: ANPEC lead-free products contain molding compounds/die attach materials and 100% matte tin plate termination finish; which are fully compliant with RoHS. ANPEC lead-free products meet or exceed the lead-free requirements of IPC/JEDEC J-STD-020D for MSL classification at lead-free peak reflow temperature. ANPEC defines “Green” to mean lead-free (RoHS compliant) and halogen free (Br or Cl does not exceed 900ppm by weight in homogeneous material and total of Br and Cl does not exceed 1500ppm by weight).

## Pin Configuration



## Absolute Maximum Ratings (Note 1)

(Over operating free-air temperature range unless otherwise noted.)

Symbol	Parameter	Rating	Unit
$V_{DD}$	Supply Voltage (PVDD, CVDD, VDD)	-0.3 to 6	V
$HV_{DD}$	Supply Voltage (HVDD)		
$V_{SS}$	Supply Voltage (VSS)	+0.3 to -6	V
$V_{SET}, V_{AMP\_EN}, V_{HP\_EN}$	Input Voltage	0 to $V_{DD}+0.3V$	
$T_A$	Operating Ambient Temperature Range	-40 to 85	°C
$T_J$	Maximum Junction Temperature	150	°C
$T_{STG}$	Storage Temperature Range	-65 to +150	°C
$T_{SDR}$	Maximum Lead Soldering Temperature, 10 Seconds	260	°C
$P_D$	Power Dissipation	Internally Limited	W

Note 1 : Absolute Maximum Ratings are those values beyond which the life of a device may be impaired. Exposure to absolute maximum rating conditions for extended periods may affect device reliability.

## Thermal Characteristics

Symbol	Parameter	Typical Value	Unit
$\theta_{JA}$	Thermal Resistance - Junction to Ambient <sup>(Note 2)</sup> TQFN4x4-28	45	°C/W

Note 2 : 3.42 in<sup>2</sup> printed circuit board with 2OZ trace and copper through 10 vias of 15mil diameter vias. The thermal pad on the TQFN4x4-28 packages with solder on the printed circuit board.

## Recommended Operating Conditions

Symbol	Parameter	Range	Unit
$V_{DD}$	Supply Voltage	4.5 ~ 5.5	V
$HV_{DD}$	Supply Voltage	3.0 ~ 3.6	V
$V_{IH}$	High Level Threshold Voltage	AMP_EN, HP_EN	2 ~
$V_{IL}$	Low Level Threshold Voltage	AMP_EN, HP_EN	~ 0.8
$V_{icm}$	Common Mode Input Voltage	for Amplifier	~ $V_{DD}-1$
		for Headphone Amplifier	~ $HV_{DD}-1$
$V_{SET}$	Input Voltage	Shutdown	~ 0.8
		Gain Setting	2 ~ 4.2
		Fix Gain	4.5 ~

## Electrical Characteristics

$V_{DD} = 5V$ ,  $HV_{DD} = 3.3V$ , GND = PGND = CPGND = 0V,  $T_A = 25^\circ C$  (unless otherwise noted).

Symbol	Parameter	Test Conditions	APA2051			Unit
			Min.	Typ.	Max.	
$V_{DD}$	Supply Voltage		4.5	-	5.5	V
$HV_{DD}$	Headphone Amplifier Supply Voltage		3.0	-	3.6	V
$I_{VDD}$	$V_{DD}$ Supply Current	Only Speaker mode, AMP_EN = HP_EN = 0V	-	17.5	29	mA
$I_{HVDD}$	$HV_{DD}$ Supply Current		-	0.15	1	
$I_{VDD}$	$V_{DD}$ Supply Current	Only Headphone mode, HP_EN = AMP_EN = 5V	-	12	20	
$I_{HVDD}$	$HV_{DD}$ Supply Current		-	3	5	
$I_{VDD}$	$V_{DD}$ Supply Current	All Enable, HP_EN=5V and AMP_EN = 0V	-	20	35	
$I_{HVDD}$	$HV_{DD}$ Supply Current		-	3	5	
$I_{SD(HVDD)}$	$HV_{DD}$ Shutdown Current	SET = 0V	-	50	90	μA
$I_{SD(VDD)}$	$V_{DD}$ Shutdown Current		-	1	10	
$I_{AMP\_EN}$	Input Current	AMP_EN	-	1	-	μA
$I_{HP\_EN}$	Input Current	HP_EN	-	10	15	μA
<b>SPEAKER MODE</b>						
$P_O$	Output Power	THD+N =1%, $f_{in} = 1kHz$ $R_L = 4\Omega$ $R_L = 8\Omega$	1.0	1.9 1.2	-	W
		THD+N =10%, $f_{in} = 1kHz$ $R_L = 4\Omega$ $R_L = 8\Omega$	1.3	2.4 1.5	-	
$V_{OS}$	Output Offset Voltage	$R_L = 8\Omega$ , Gain =10.5dB	-	-	10	mV

## Electrical Characteristics (Cont.)

$V_{DD} = 5V$ ,  $HV_{DD} = 3.3V$ ,  $GND = PGND = CPGND = 0V$ ,  $T_A = 25^\circ C$  (unless otherwise noted).

Symbol	Parameter	Test Conditions	APA2051			Unit	
			Min.	Typ.	Max.		
<b>SPEAKER MODE (CONT.)</b>							
THD+N	Total Harmonic Distortion Plus Noise	$f_{in} = 1kHz$ $P_O = 1.5W, R_L = 4\Omega$ $P_O = 0.9W, R_L = 8\Omega$	-	0.15 0.06	-	%	
Crosstalk	Channel Separation	$f_{in} = 1kHz, C_B = 2.2\mu F, R_L = 8\Omega, P_O = 0.92W$	-	80	-	dB	
		$f_{in} = 1kHz, C_B = 2.2\mu F, R_L = 4\Omega, P_O = 1.5W$	-	83	-		
PSRR	Power Supply Rejection Ratio	$C_B = 2.2\mu F, R_L = 8\Omega, f_{in} = 120Hz$	-	70	-	dB	
S/N		$P_O = 0.8W, R_L = 8\Omega$ , A-weighting Filter	-	90	-	dB	
Vn	Noise Output Voltage	Gain = 10.5dB, $R_L = 8\Omega, C_B = 2.2\mu F$	-	80	-	$\mu V$ (rms)	
<b>HEADPHONE MODE</b>							
Po	Output Power	THD+N = 1%, $f_{in} = 1kHz$ $R_L = 16\Omega$ $R_L = 32\Omega$	100	160 120	-	mW	
		THD+N = 10%, $f_{in} = 1kHz$ $R_L = 16\Omega$ $R_L = 32\Omega$	150	200 165	-		
Vo	Output Voltage Swing	$R_L = 10k\Omega$	THD+N=10%	-	2.9	-	Vrms
			THD+N=1%	-	2.4	-	
Vos	Output Offset Voltage	$R_L = 32\Omega$	-10		+10	mV	
THD+N	Total Harmonic Distortion Plus Noise	$f_{in} = 1kHz$ $P_O = 125mW, R_L = 16\Omega$ $P_O = 88mW, R_L = 32\Omega$ $V_O = 1.7Vrms, R_L = 10k\Omega$	-	0.02 0.02 0.005	-	%	
Crosstalk	Channel Separation	$f_{in} = 1kHz, R_L = 16\Omega, P_O = 125mW$	-	80	-	dB	
		$f_{in} = 1kHz, R_L = 32\Omega, P_O = 88mW$	-	85	-		
		$f_{in} = 1kHz, R_L = 10k\Omega, V_O = 1.7Vrms$	-	105	-		
PSRR	Power Supply Rejection Ratio	$C_B = 2.2\mu F, R_L = 32\Omega, f_{in} = 120Hz$	-	80	-	dB	
S/N		With A-weighting Filter $P_O = 70mW, R_L = 32\Omega$ $V_O = 1.2Vrms, R_L = 10k\Omega$		95 92	-	dB	
Vn	Noise Output Voltage	$C_B = 2.2\mu F$	-	30	-	$\mu V$ (rms)	
Rf	Input Feedback Resistance		38	40	42	k $\Omega$	
<b>CHARGE PUMP</b>							
Fosc	Switching Frequency		460	540	620	kHz	
CV <sub>SS</sub>	Charge Dump (CVSS)	No load	-	-0.98 $V_{DD}$	-	V	
Req	Charge Pump Requirement Resistance		-	9	12	$\Omega$	

## Electrical Characteristics (Cont.)

$V_{DD} = 5V$ ,  $HV_{DD} = 3.3V$ ,  $GND = PGND = CPGND = 0V$ ,  $T_A = 25^\circ C$  (unless otherwise noted).

Symbol	Parameter	Test Conditions	APA2051			Unit
			Min.	Typ.	Max.	
<b>ATTENUATION</b>						
Att (HP_EN)	HP Disable Attenuation	$R_L = 32\Omega$ , $V_O = 1.1V_{rms}$ , $f_{in} = 1kHz$	-	115	-	dB
		$R_L = 10k\Omega$ , $V_O = 1.1V_{rms}$ , $f_{in} = 1kHz$	-	85	-	dB
Att ( $\overline{AMP\_EN}$ )	AMP Disable Attenuation	$R_L = 8\Omega$ , $V_O = 2V_{rms}$ , $f_{in} = 1kHz$	-	112	-	dB
		$R_L = 4\Omega$ , $V_O = 2V_{rms}$ , $f_{in} = 1kHz$	-	112	-	dB
Att_SD (HP_EN)	Shutdown Active	$R_L = 10k\Omega$ on the Headphone Mode, $V_O = 1.1V_{rms}$ , $f_{in} = 1kHz$	-	90	-	dB
Att_SD( $\overline{AMP\_EN}$ )	Shutdown Active	$R_L = 8\Omega$ on the AMP Mode, $V_O = 1V_{rms}$ , $f_{in} = 1kHz$	-	100	-	dB
<b>HEADPHONE TO SPEAKER CROSSTALK</b>						
Crosstalk	Channel Separation	$\overline{AMP\_EN} = 0V$ , $R_L = 8\Omega$	-	85	-	dB
		HP_EN = 5V, $R_L = 16\Omega$ , $f_{in} = 1kHz$ , $P_O = 125mW$				
<b>SPEAKER TO HEADPHONE CROSSTALK</b>						
Crosstalk	Channel Separation	HP_EN = 5V, $R_L = 10k\Omega$	-	80	-	dB
		$\overline{AMP\_EN} = 0V$ , $R_L = 4\Omega$ , $f_{in} = 1kHz$ , $P_O = 1.5W$				
<b>AMPLIFIER START-UP TIME</b>						
$T_{start-up}$	Start-Up Time		-	120	-	msec

## Gain Setting Table \_AMP Mode

( $V_{DD} = 5V$ )

Gain (dB)	Input Voltage ( $V_{SET}$ )		Hysteresis (mV)	Recommended Voltage (V)
	Low (V)	High (V)		
-70	0	2.00	SD	0.00
-7	2.04	2.12	47	2.08
-5	2.15	2.24	36	2.20
-3	2.28	2.35	41	2.31
-1	2.39	2.47	41	2.43
1	2.51	2.58	35	2.54
3	2.62	2.70	41	2.66
4	2.74	2.81	48	2.78
5	2.86	2.92	43	2.89
6	2.97	3.04	47	3.01
7	3.09	3.15	45	3.12
8	3.21	3.27	54	3.24
9	3.33	3.39	59	3.36
10	3.45	3.51	64	3.48
11	3.56	3.62	53	3.59
12	3.68	3.73	59	3.70
13	3.80	3.85	66	3.82

**Gain Setting Table \_AMP Mode (Cont.)**

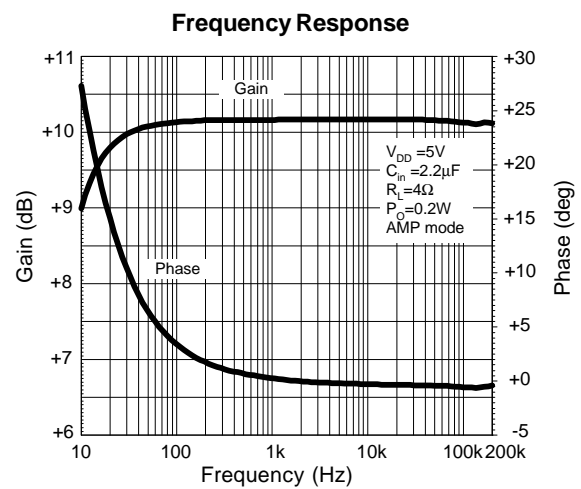
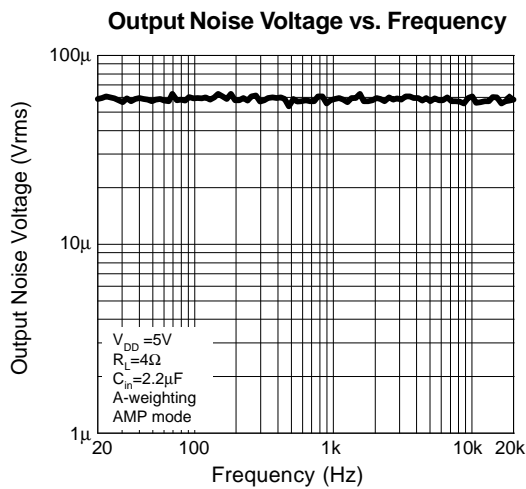
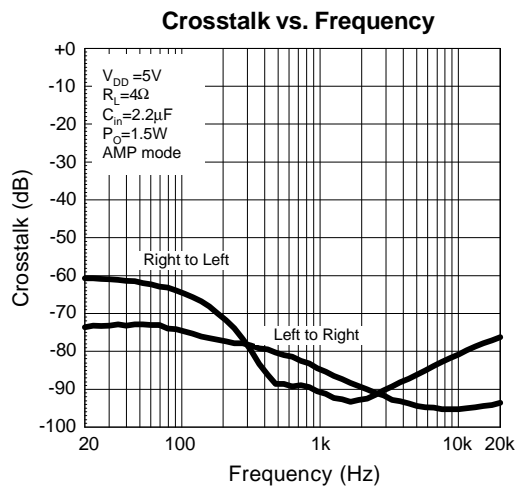
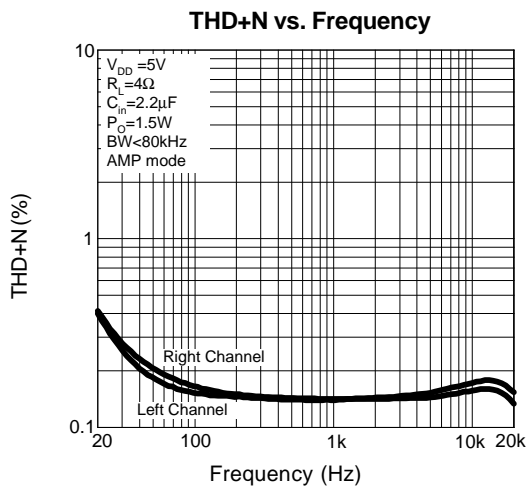
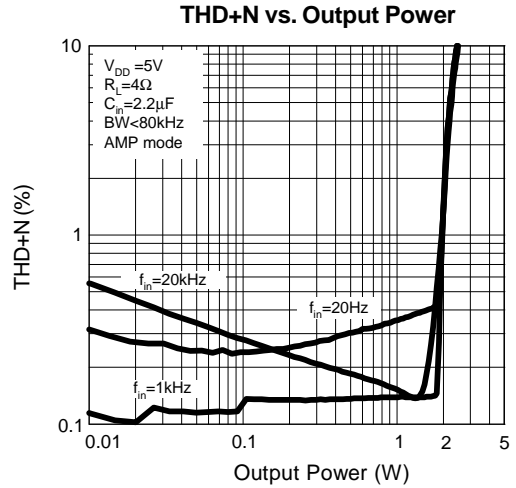
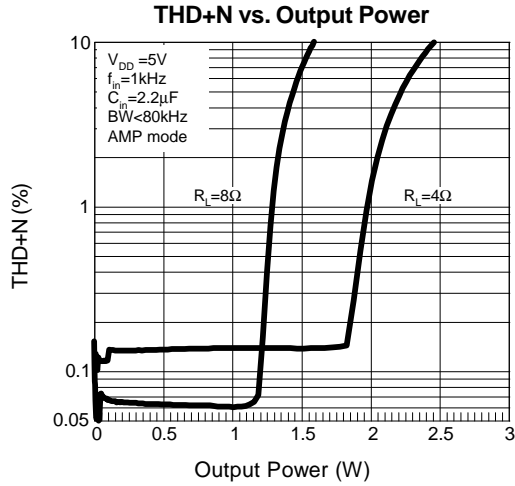
(V<sub>DD</sub>=5V)

Gain (dB)	Input Voltage (V <sub>SET</sub> )		Hysteresis (mV)	Recommended Voltage (V)
	Low (V)	High (V)		
14	3.92	3.96	69	3.94
15	4.02	4.07	64	4.05
16	4.15	4.17	76	4.16
10.5	4.26	5.00	94	5.00

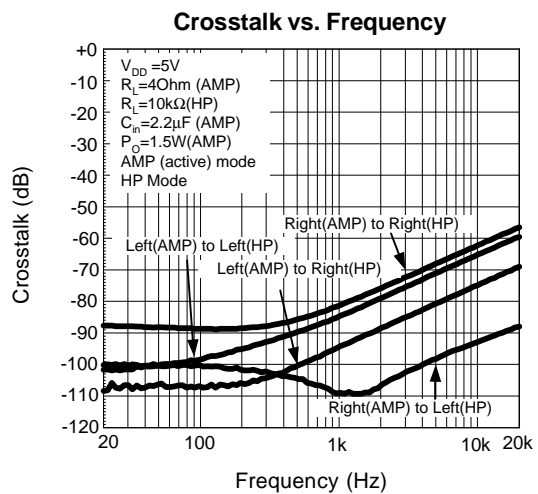
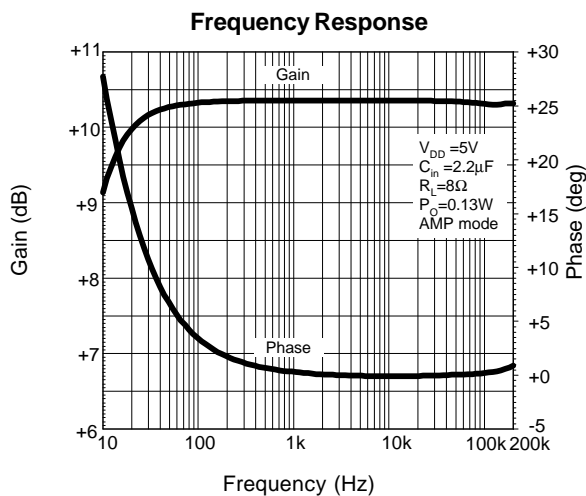
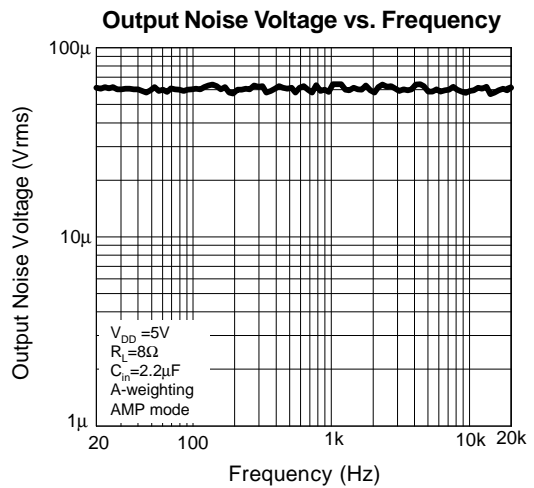
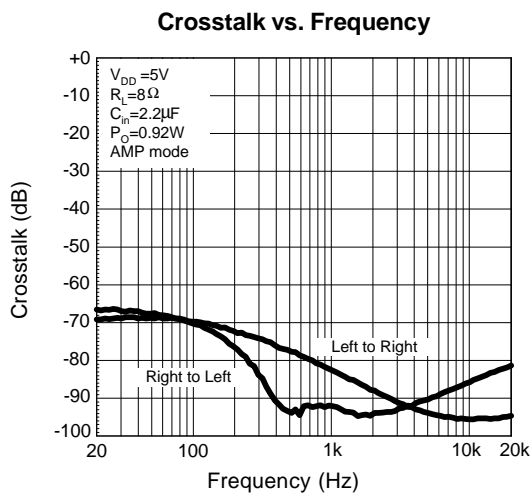
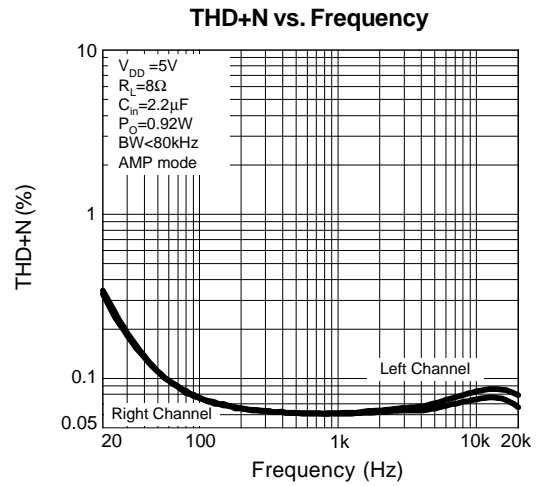
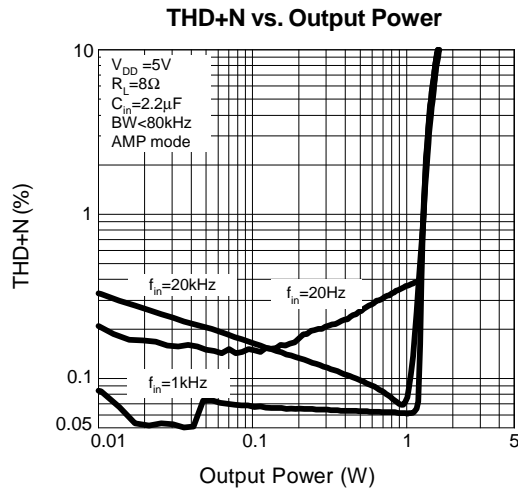
**Recommend Resistance's Value for Gain Setting**

Gain (dB)	R1 (1%)	R# (1%)
-70	10k	0
-7	18k	13k
-5	20k	16k
-3	18k	16k
-1	16k	15k
1	15k	16k
3	13k	15k
4	24k	30k
5	13k	18k
6	13k	20k
7	13k	22k
8	16k	30k
9	13k	27k
10	13k	30k
11	15k	39k
12	13k	39k
13	13k	43k
14	13k	50k
15	15k	68k
16	13k	68k
10.5	10k	>90k

Typical Operating Characteristics

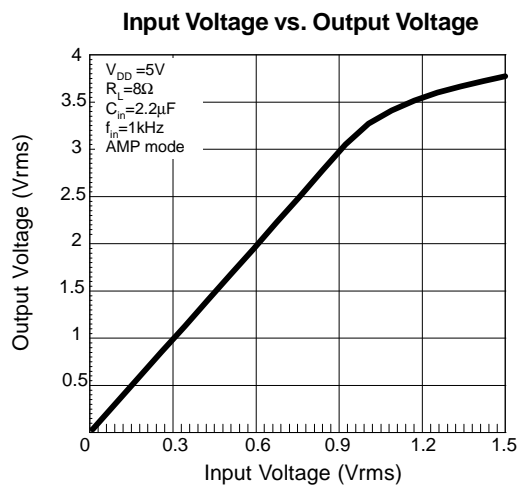
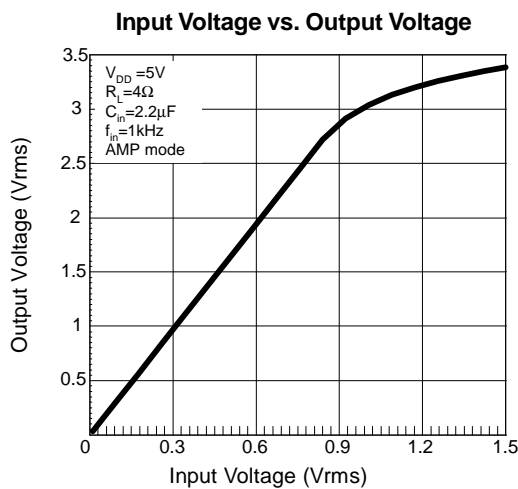
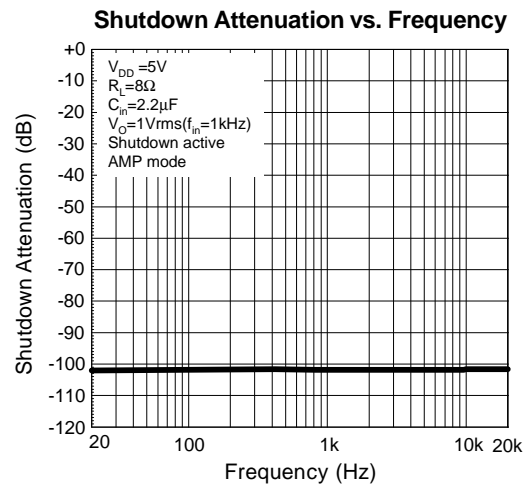
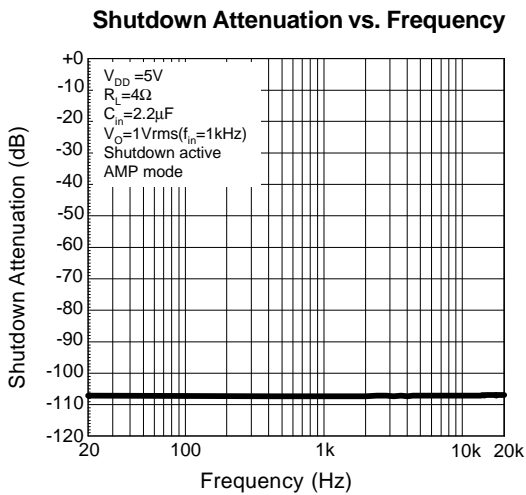
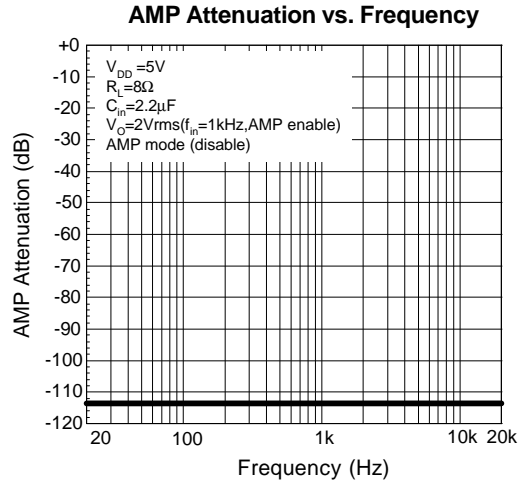
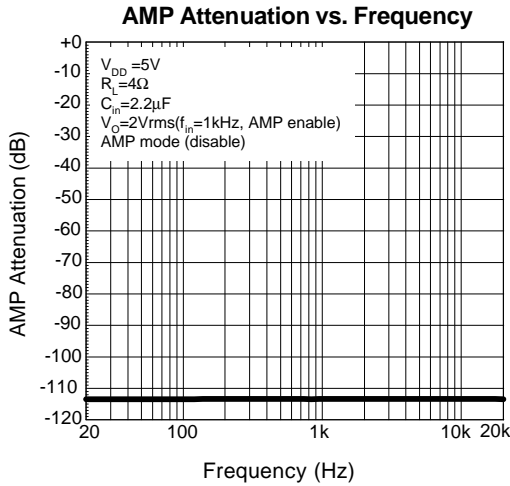


Typical Operating Characteristics (Cont.)

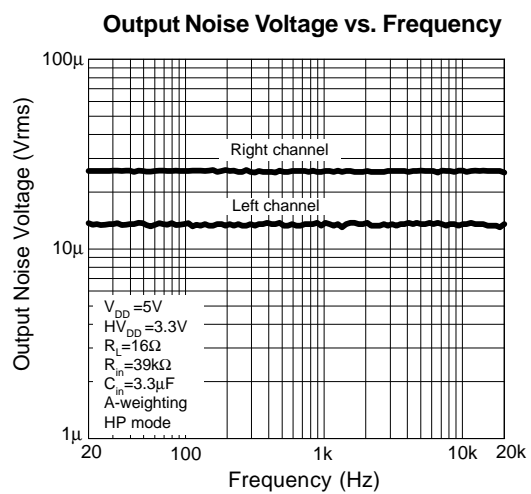
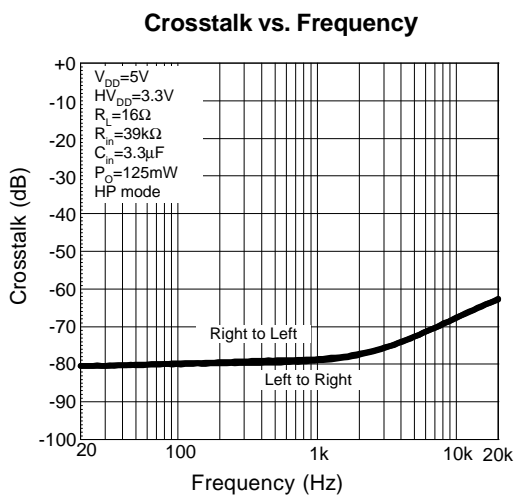
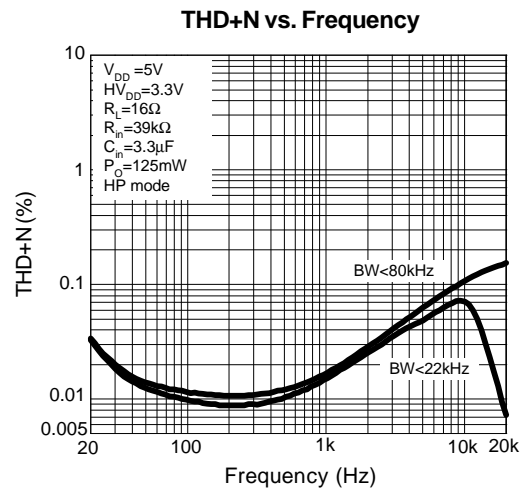
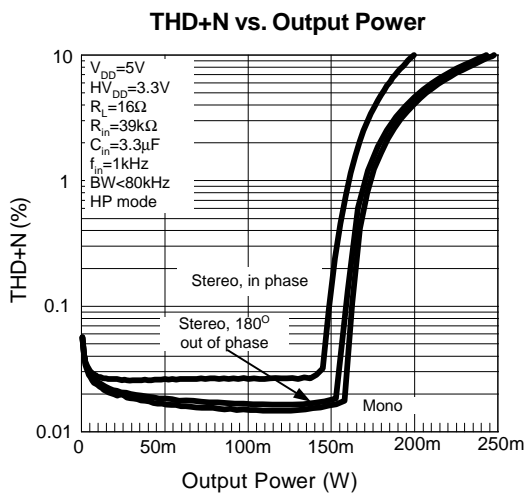
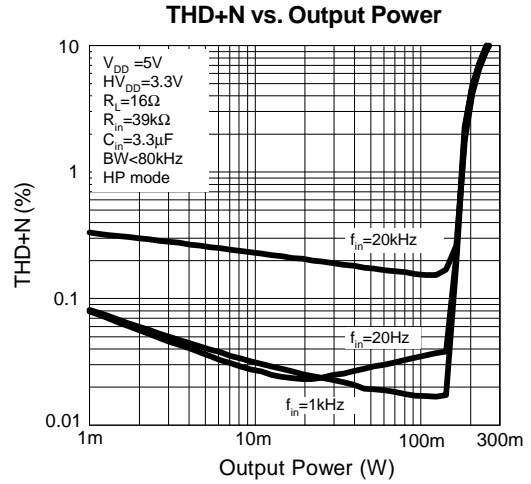
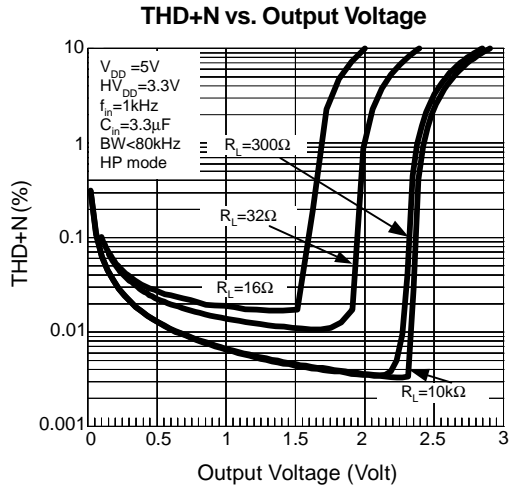




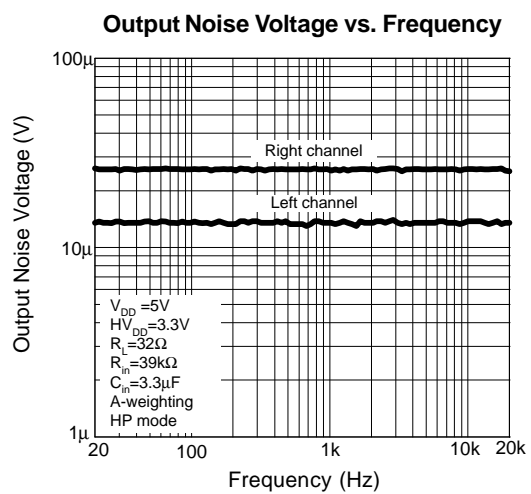
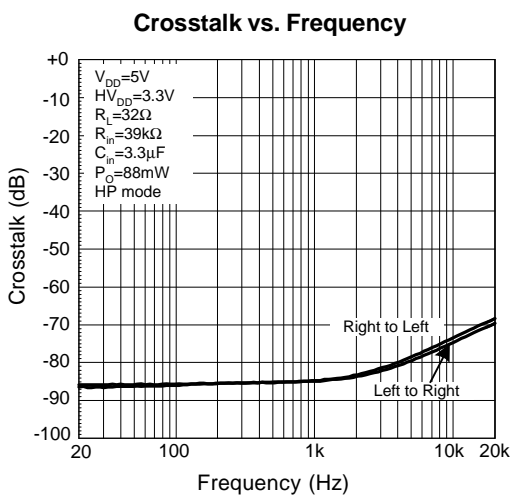
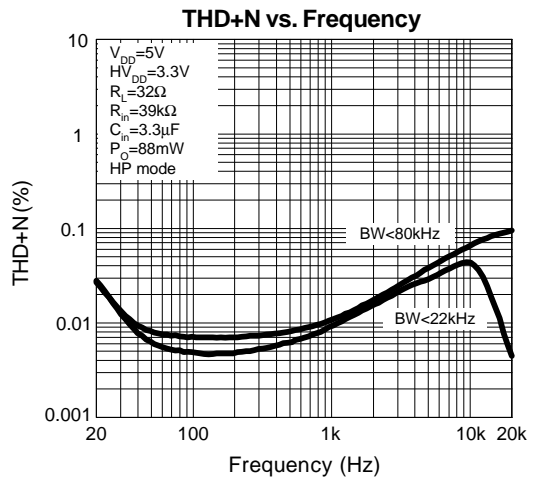
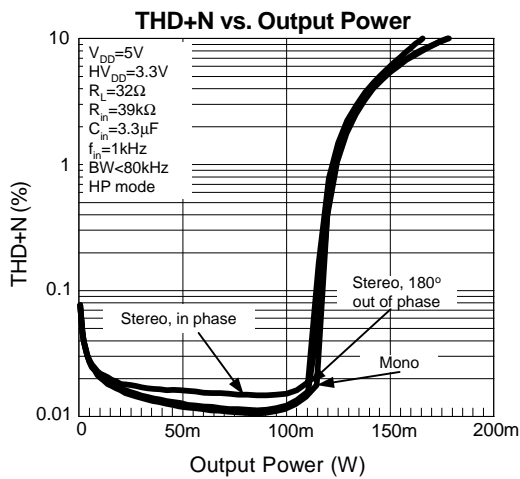
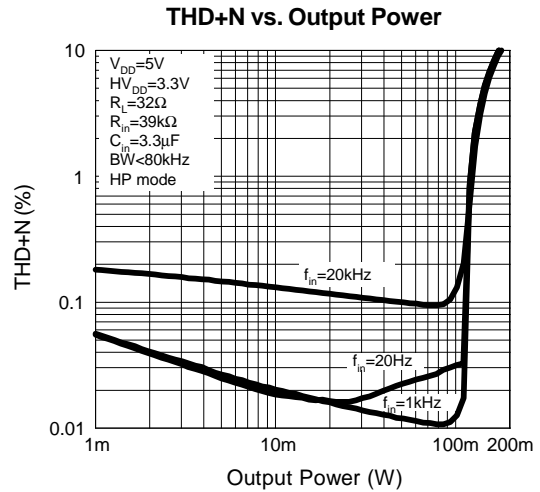
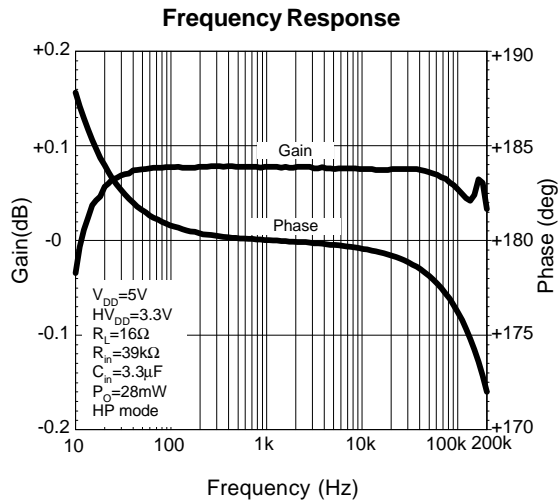
Typical Operating Characteristics (Cont.)



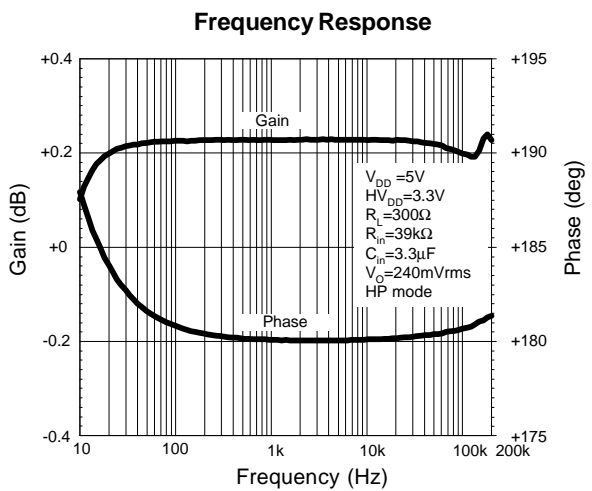
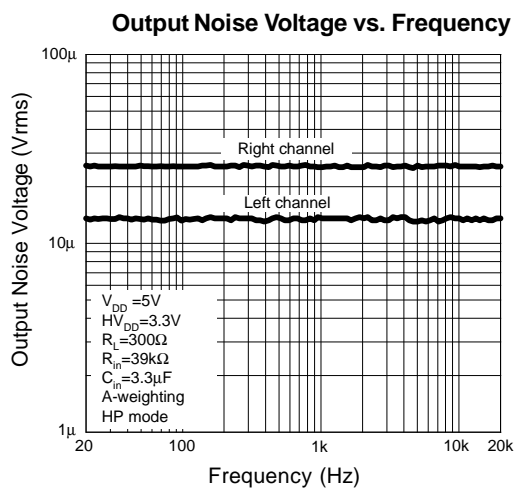
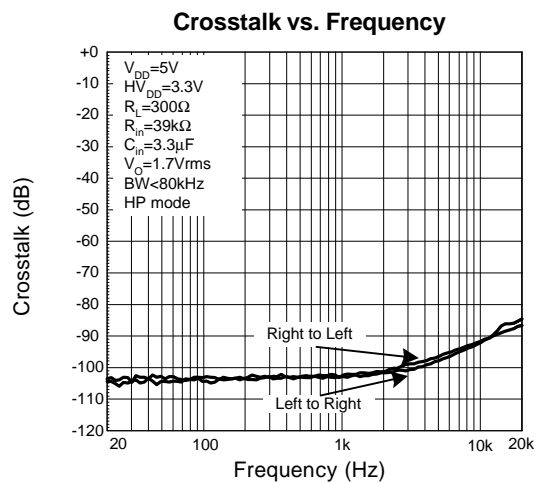
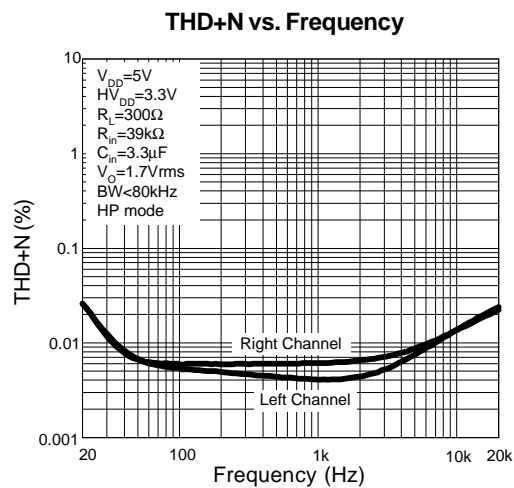
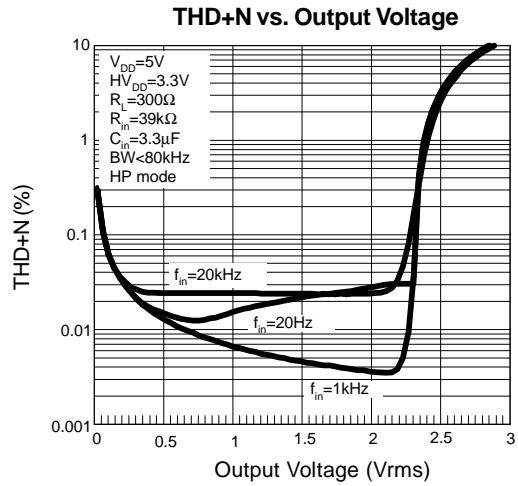
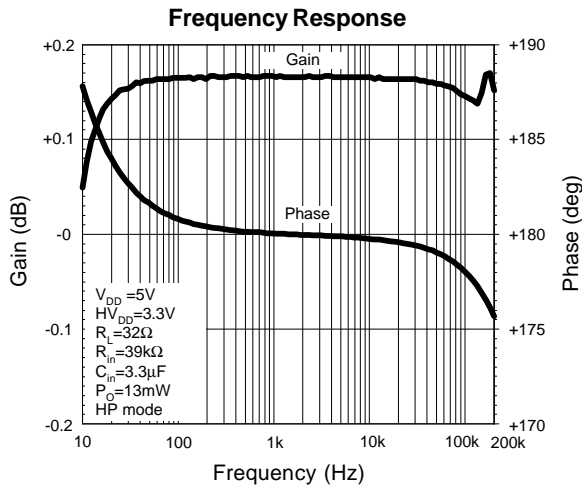
Typical Operating Characteristics (Cont.)



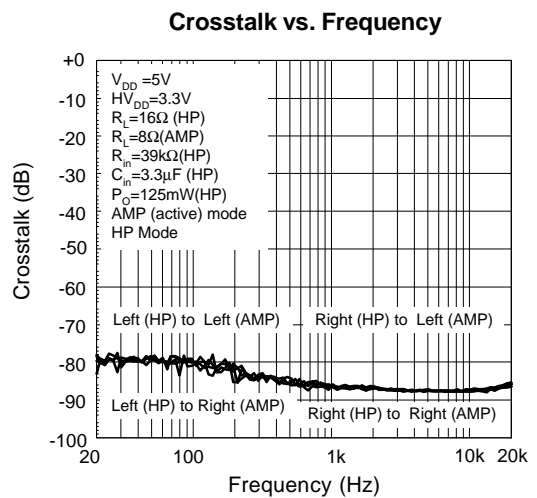
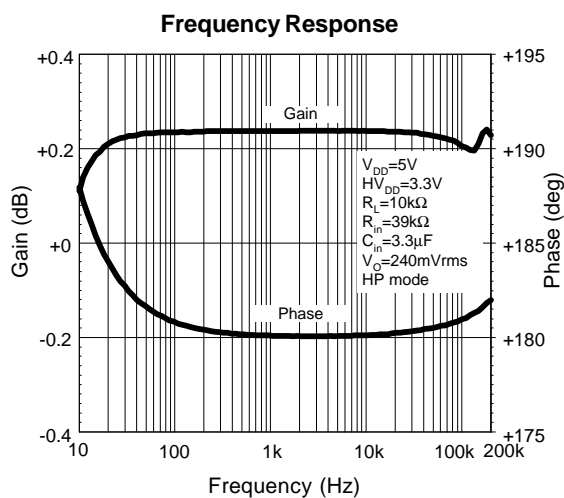
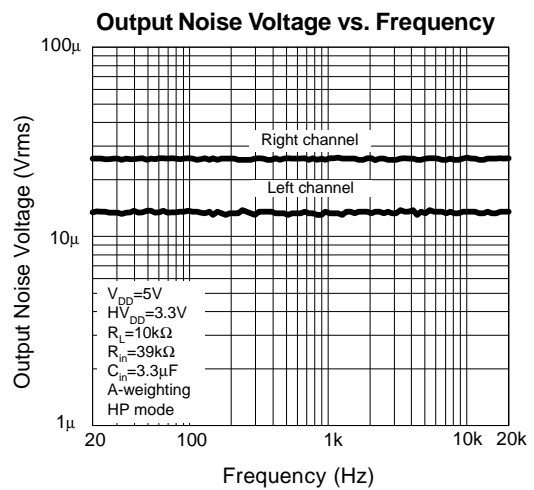
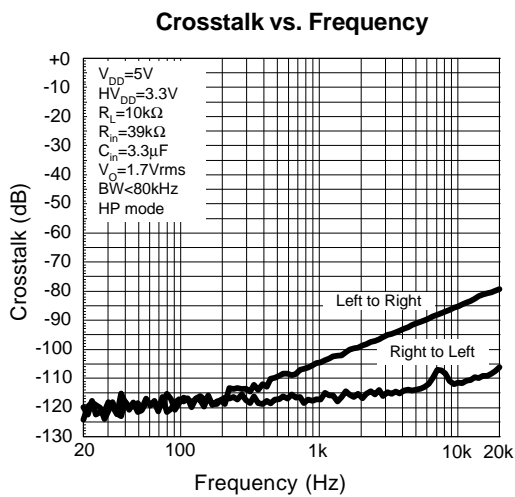
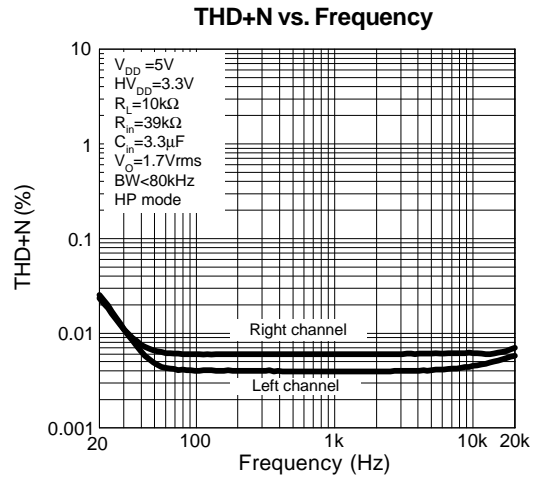
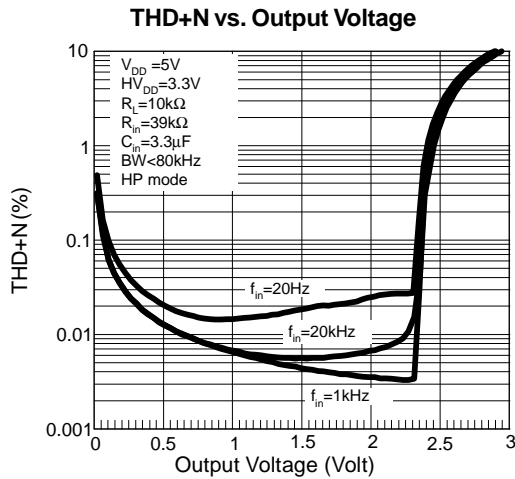
Typical Operating Characteristics (Cont.)



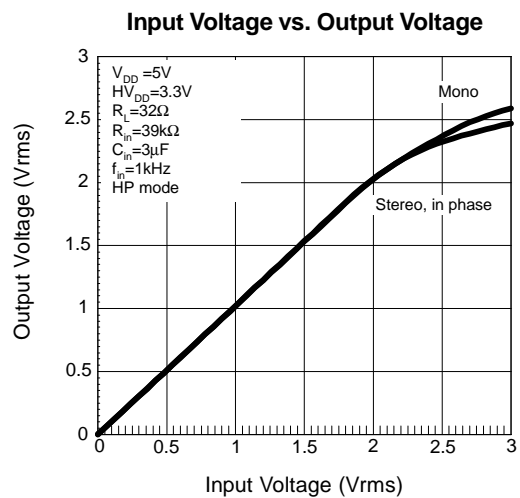
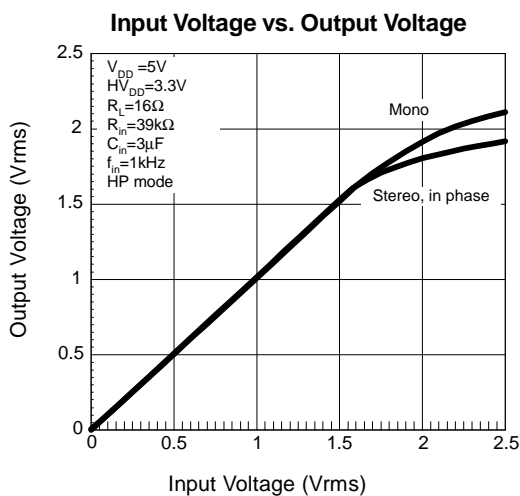
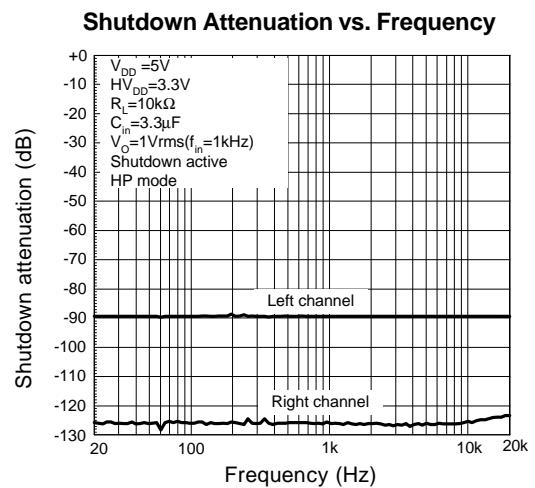
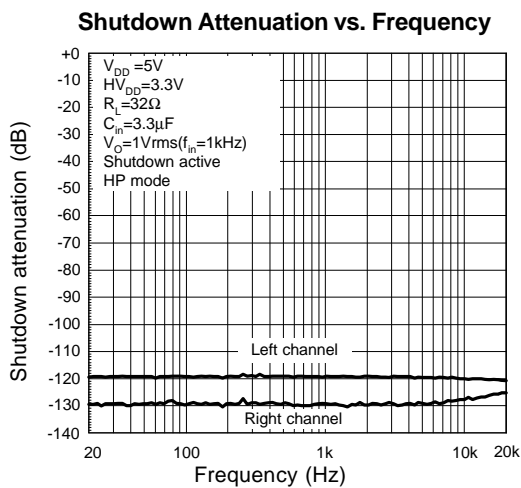
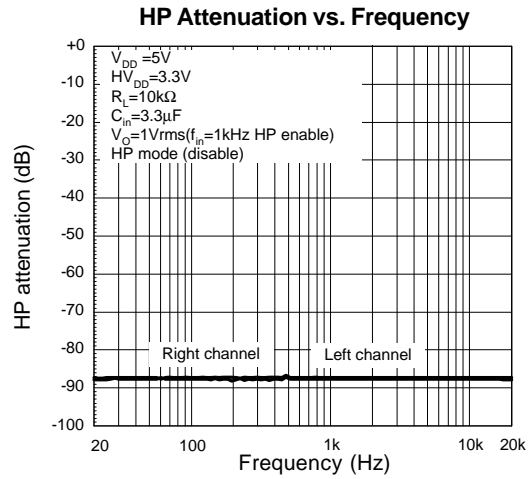
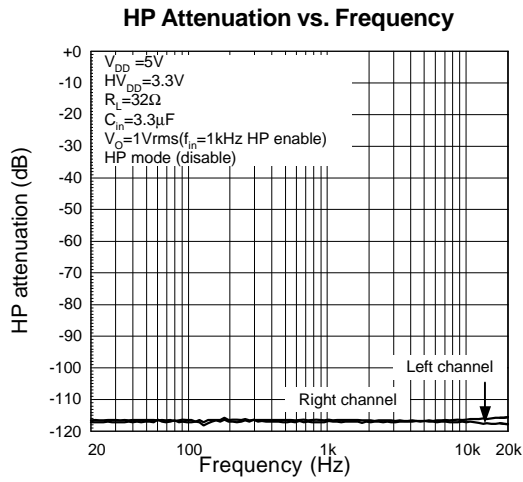
Typical Operating Characteristics (Cont.)



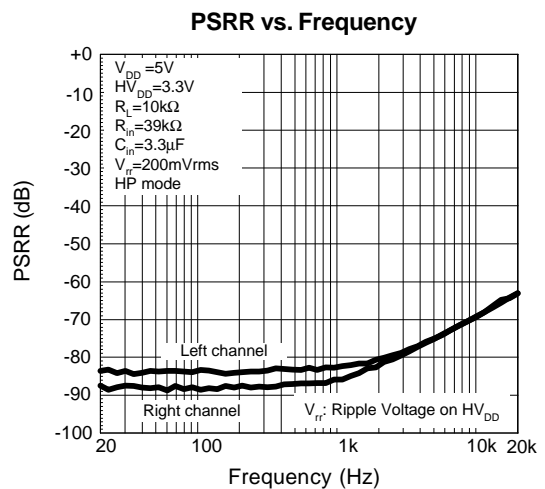
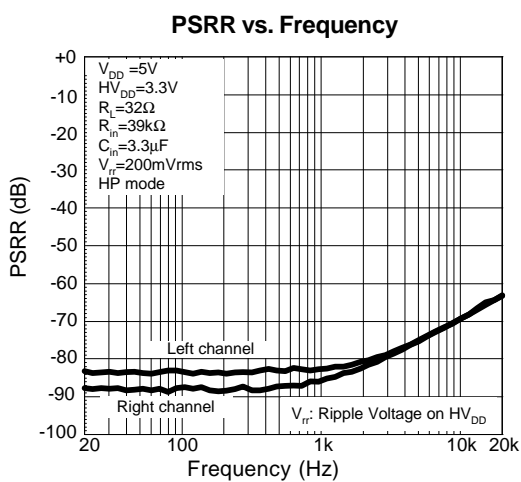
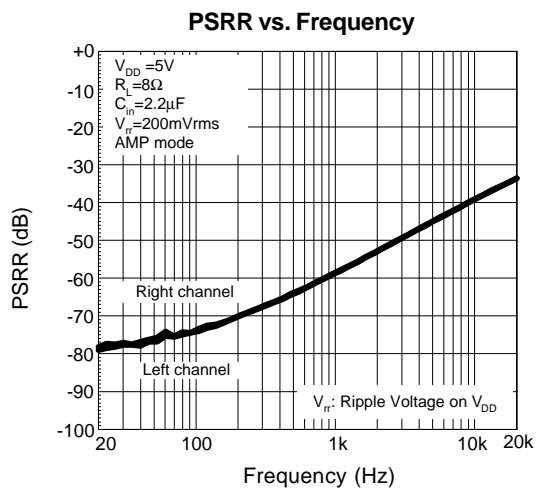
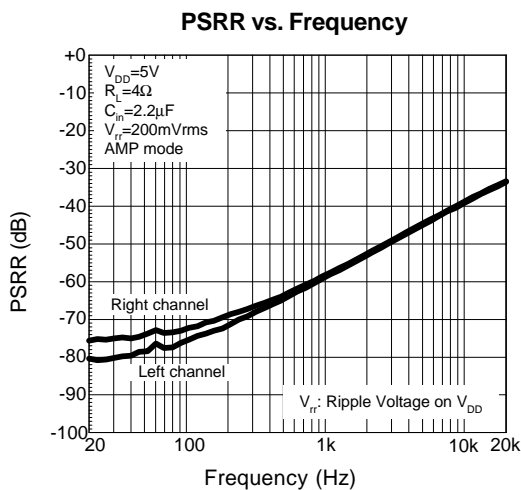
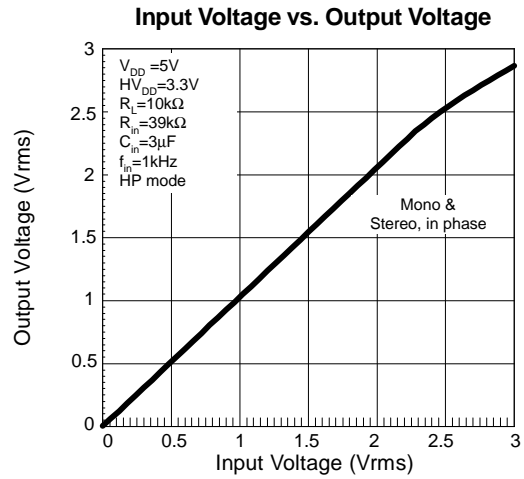
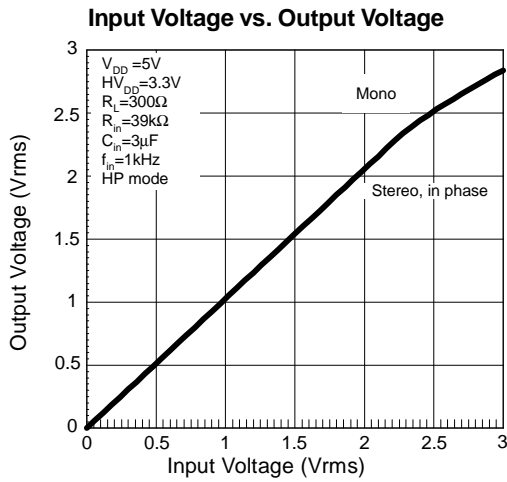
Typical Operating Characteristics (Cont.)



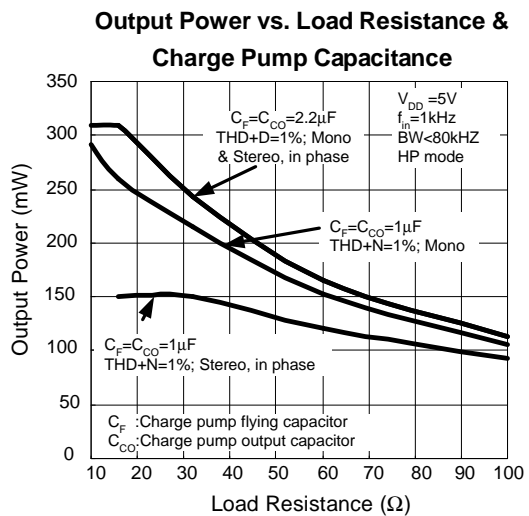
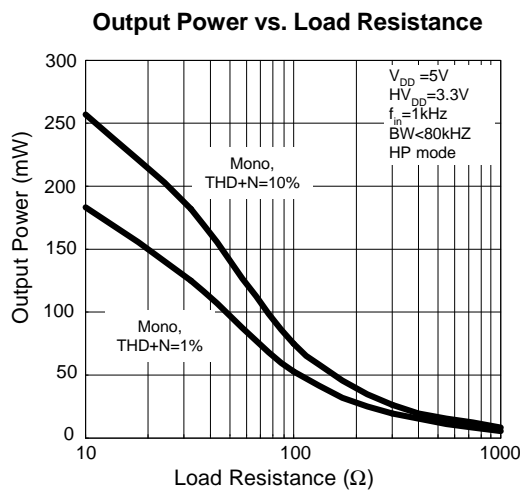
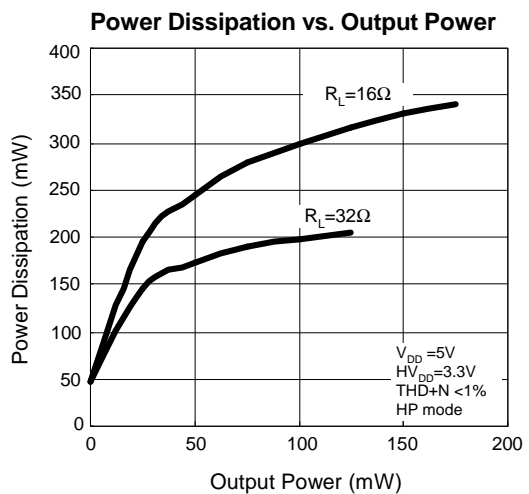
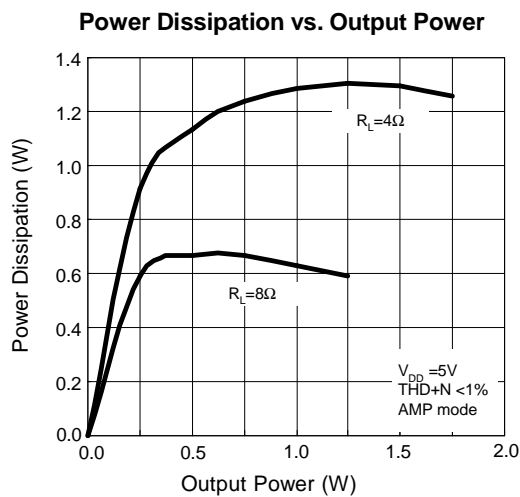
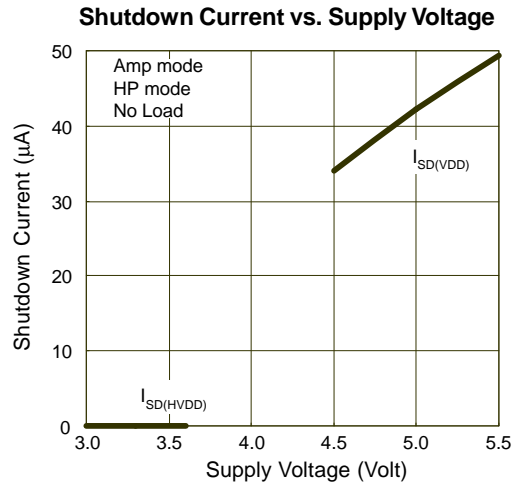
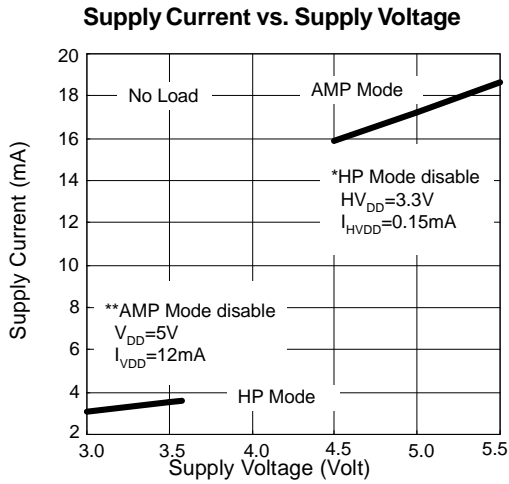
Typical Operating Characteristics (Cont.)



Typical Operating Characteristics (Cont.)

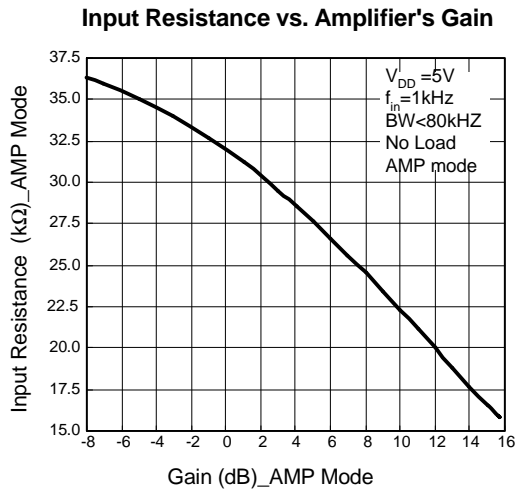


Typical Operating Characteristics (Cont.)



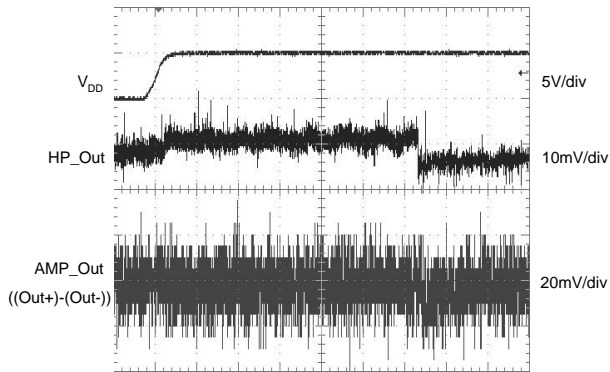


### Typical Operating Characteristics (Cont.)



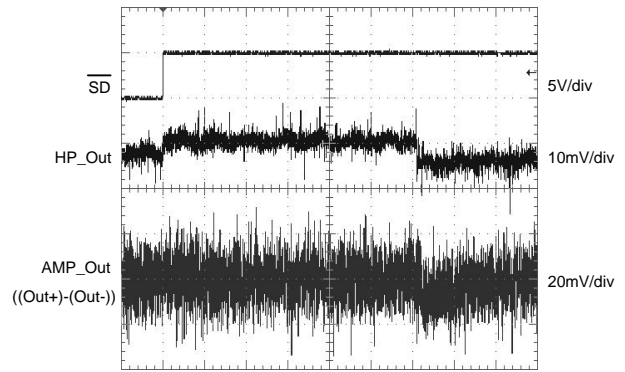
## Operating Waveforms

Output Transient at Turn On



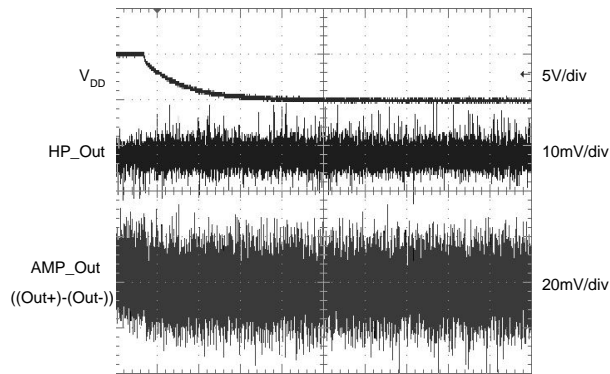
20ms/div

Output transient at Shutdown Release



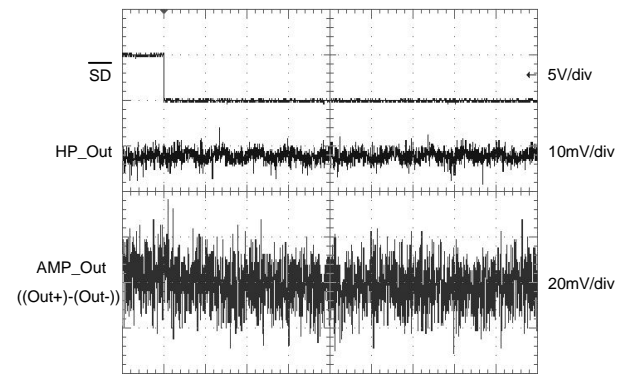
20ms/div

Output Transient at Turn Off



200ms/div

Output transient at Shutdown Active

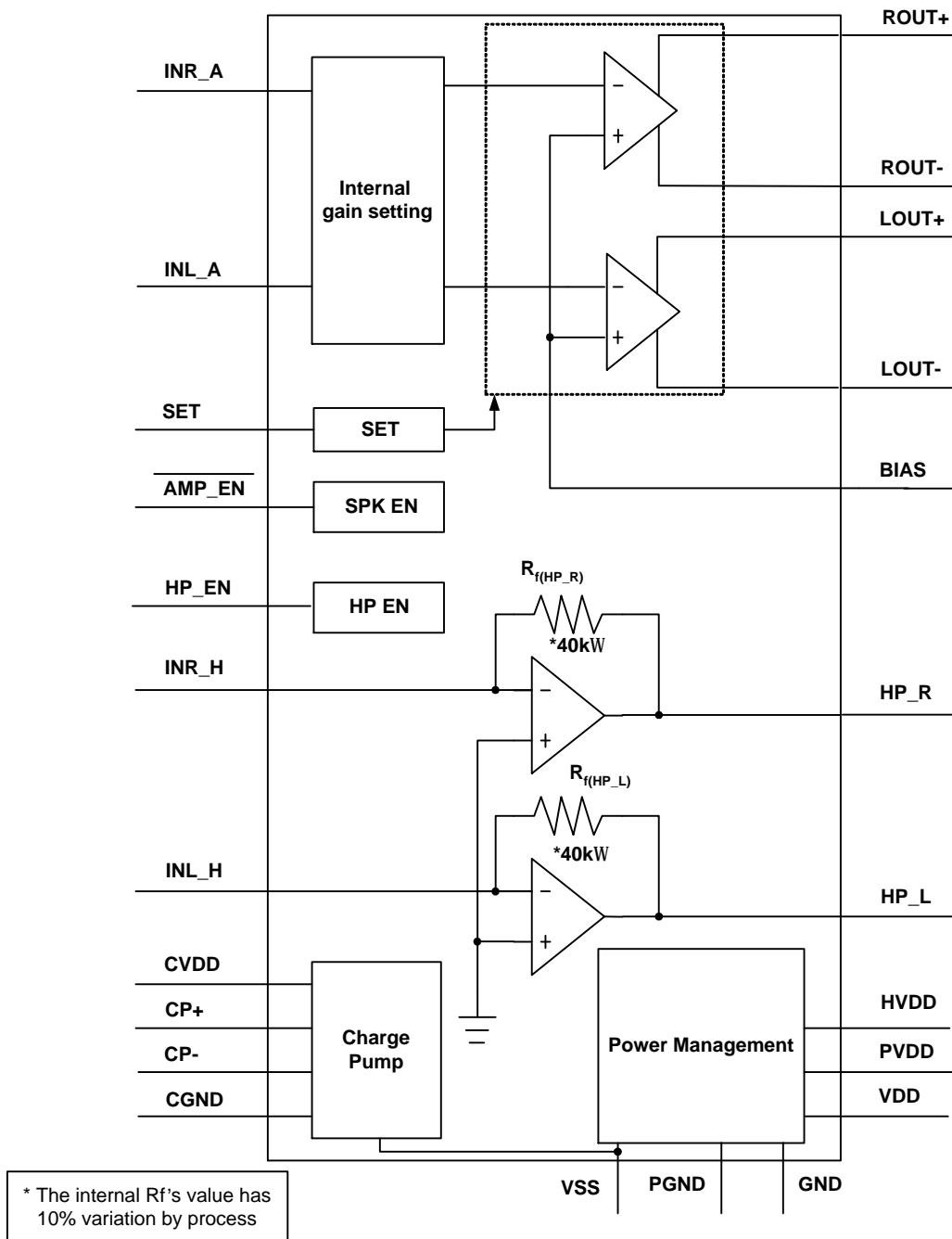


20ms/div

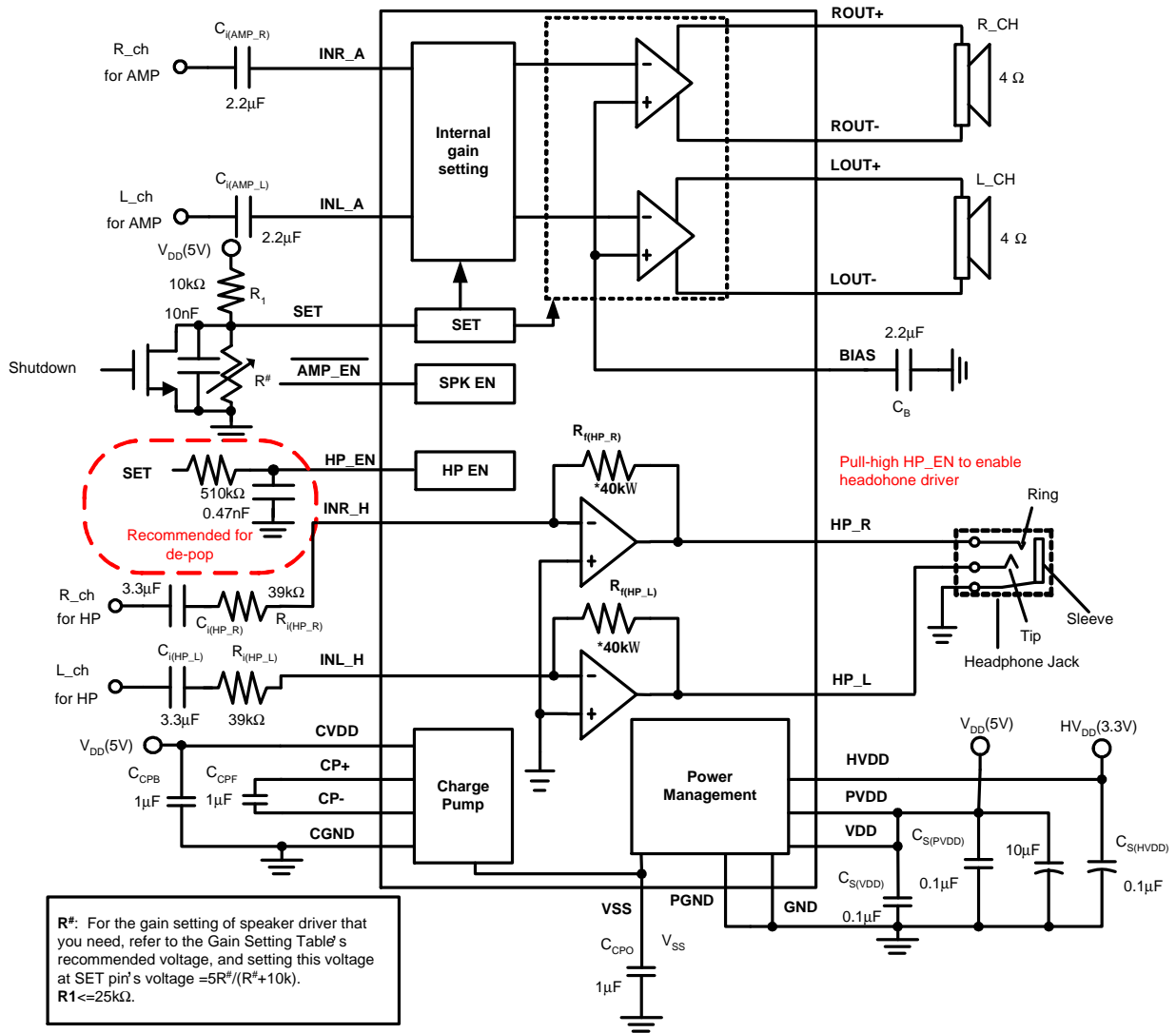
## Pin Description

PIN		FUNCTION
NO.	NAME	
1	INL_A	Left channel input terminal for speaker amplifier
2	INL_H	Left channel input terminal for headphone driver
3,14	N.C.	No Connection
4,20	PGND	Power ground
5	LOUT+	Left channel positive output for speaker
6	LOUT-	Left channel negative output for speaker
7,17	PVDD	Power amplifier power supply
8	CVDD	Charge pump power supply
9	CP+	Charge pump flying capacitor positive connection
10	CGND	Charge pump ground
11	CP-	Charge pump flying capacitor negative connection
12	HVSS	Charge pump output and Headphone amplifier negative power supply pin
13	HP_R	Right channel output for headphone
15	HV DD	Headphone amplifier positive power supply
16	HP_L	Left channel output for headphone
18	ROUT-	Right channel negative output for speaker
19	ROUT+	Right channel positive output for speaker
21	HP_EN	Headphone driver enable pin, pull high to enable headphone mode
22	BIAS	Bias voltage generator
23	SET	It has 19 steps gain setting control from 2.0~4.2V; pull high to 5V is 10.5dB fix gain and pull low to 0V, the APA2051 enter shutdown mode. $I_{SD} = 80\mu A$
24	$\overline{AMP\_EN}$	Speaker driver enable pin, pull low to enable speaker mode
25	VDD	Power supply for control section
26	GND	Ground
27	INR_A	Right channel input terminal for speaker amplifier
28	INR_H	Right channel input terminal for headphone driver

Block Diagram



Typical Application Circuit



## Application Information

### Amplifier Mode Operation

The APA2051 has two pairs of operational amplifiers internally, which allows different amplifier configurations.

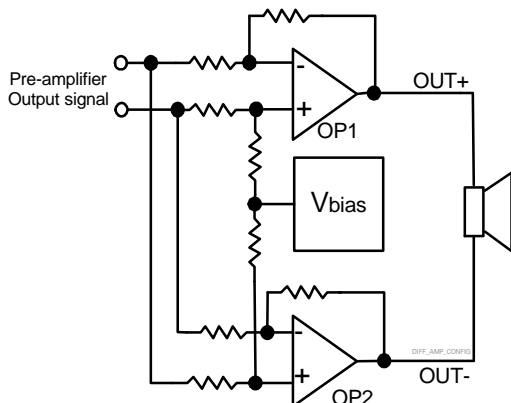


Figure 1. APA2051 Internal Configuration (each channel)

The OP1 and OP2 are all differential drive configurations. The differential drive configurations doubling the voltage swing on the load. Compare with the single-ended configuration, the differential gain for each channel is 2X (Gain of SE mode).

By driving the load differentially through outputs OUT+ and OUT-, an amplifier configuration commonly referred to all differential mode is established. All differential mode operation is different from the classical single-ended SE amplifier configuration where one side of its load is connected to the ground.

A differential amplifier design has a few distinct advantages over the SE configuration, as it provides differential drive to the load, thus it is doubling the output swing for a specified supply voltage. The output power can be 4 times greater than the SE amplifier working under the same condition. A differential configuration, similar as the one used in APA2051, also creates a second advantage over SE amplifiers. Since the differential outputs, ROUT+, ROUT-, LOUT+, and LOUT- are biased at half-supply, it's not necessary for DC voltage to be across the load. This eliminates the need for an output coupling capacitor which is required in a single supply, SE configuration.

### Headphone Mode Operation

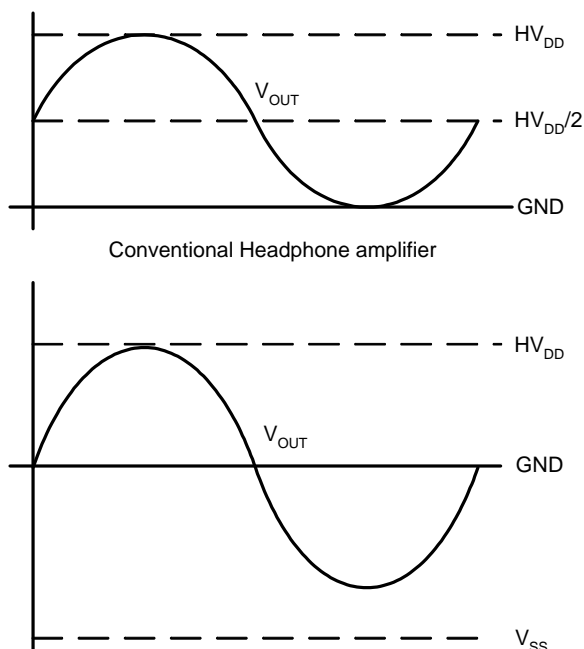


Figure 2. Cap-free Operation

The APA2051's headphone amplifiers uses a charge pump to invert the positive power supply ( $CV_{DD}$ ) to negative power supply ( $CV_{SS}$ ), see Figure 2. The headphone amplifiers operate at this bipolar power supply ( $HV_{DD}$  &  $V_{SS}$ ), and the outputs reference refers to the ground. This feature eliminates the output capacitor which is using in conventional single-ended headphone amplifier. The headphone amplifier internal supply voltage comes from  $HV_{DD}$  and  $V_{SS}$ . For good AC performance, the  $HV_{DD}$  connected to 3.3V is recommended. It can avoid the output over voltage for line out application.

### Charge Pump Flying Capacitor

The flying capacitor ( $C_{CPF}$ ) affects the load transient of the charge pump. If the capacitor's value is too small, and then that will degrade the charge pump's current driver capability and the performance of headphone amplifier.

Increasing the flying capacitor's value will improve the load transient of charge pump. It is recommended to use the low ESR ceramic capacitors (X7R type is recommended) above 1 $\mu$ F.

## Application Information (Cont.)

### Charge Pump Output Capacitor

The output capacitor ( $C_{CPO}$ )’s value affects the power ripple directly at  $CV_{SS}(V_{SS})$ . Increasing the value of output capacitor reduces the power ripple. The ESR of output capacitor affects the load transient of  $CV_{SS}(V_{SS})$ . Lower ESR and greater than 1 $\mu$ F ceramic capacitor (X7R type is recommended) is a recommendation.

### Charge Pump Bypass Capacitor

The bypass capacitor ( $C_{CPB}$ ) relates with the charge pump switching transient. The capacitor’s value is the same as flying capacitor (1 $\mu$ F). Place it close to the  $CV_{DD}$  and PGND.

### Headphone Detection Input

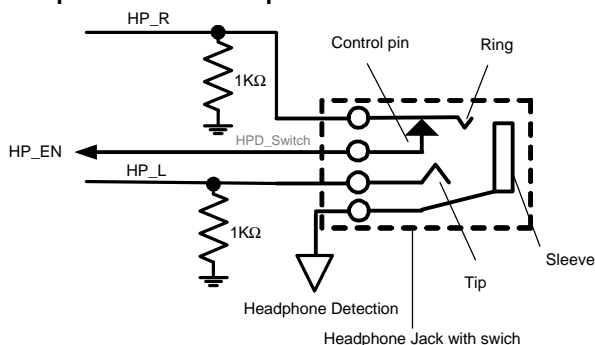


Figure 3. HPD Configurations

The HP\_EN will detect the voltage. If the voltage is less than 0.8V, the headphone amplifiers will be disabled; if the voltage is greater than 2V, the headphone amplifier will be enabled.

In Figure 3, phone-jack with the control pin is used and connected to HP\_EN input from control pin. When a headphone plug is inserted, the HP\_EN will pull high internally which enables headphone amplifiers; without headphone plug, the HP\_EN is pulled to the GND.

### Operation Mode

The APA2051 amplifier has two pairs of independent amplifier. One for stereo speaker is BTL structure, and the other for headphone is cap-less structure. Each pair has independent input pin; INR\_A and INA\_L are for stereo speaker drivers, and INR\_H and INL\_H are for stereo headphone drivers.

- Amplifier mode operation: Pull low the AMP\_EN control pin can enable the stereo speaker driver.
- Headphone mode operation: Pull high the HP\_EN control pin can enable the cap-less headphone

drive.

- Both amplifier and headphone “ON” mode: Pull low the AMP\_EN and pull high the HP\_EN control pins, and then turn on both speaker drivers and headphone drivers
- Both amplifier and headphone “OFF” mode: Pull high the AMP\_EN and pull low the HP\_EN control pins, and then turn off both speaker drivers and headphone drivers

If the AMP\_EN and HP\_EN are connected together, this pin will be connected to headphone jack’s control pin (Figure 3), the APA2051 is switchable between “Amplifier mode (Headphone mute), or Headphone mode (Amplifier mute).

### Gain Setting

The gain for speaker drivers can be adjustable by applying DC voltage to the SET pin. The APA2051 control consists of 19 step gain settings from 2.0V to 4.2V, and the gain is from -7dB to 16dB. Each gain step corresponds to a specific input voltage range, as shown in the “Gain Setting Table”. To minimize the effect of noise on the gain setting control, which can affect the selected gain level, hysteresis and clock delay are implemented. For the highest accuracy, the voltage shown in the “recommended voltage” column of the table is used to select a desired gain. This recommended voltage is exactly halfway between the two nearest transitions. The amount of hysteresis corresponds to half of the step width, as shown in Figure 4. Apply 0V to SET pin will place the APA2051 into shutdown mode, and when SD =5V, it allows the speaker driver at a fixed gain ( $A_v=10.5dB$ ).

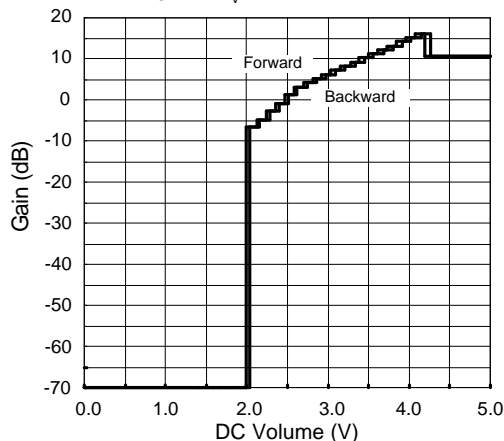


Figure 4. APA2051 Gain setting vs. SET pin Voltage

## Application Information (Cont.)

### Gain Setting (Cont.)

For headphone driver, the internal feedback resistor is 40kΩ ( $R_{i(HP)}$  external, 10% variation by process), therefore, the headphone driver's gain is set by the input resistor ( $R_{i(HP)}$  external), the Table 1 lists the reference gain settings with external resistor for headphone driver (HP Mode).

HP Mode Gain Setting Table for Reference			
$R_{i(HP),external}$ (kΩ)	* $R_{i(HP),internal}$ (kΩ)	HP OUT (V/V)	HP Gain(dB)
62	40	0.65	-3.8
50	40	0.80	-1.9
39	40	1.03	0.2
30	40	1.33	2.5
24	40	1.67	4.4
20	40	2.00	6.0

\*The internal Rf's value has 10% variation by process.

Table 1. Gain Setting Table for Reference

### Input Capacitor, $C_i$

In the typical application, an input capacitor,  $C_i$ , is required to allow the amplifier to bias the input signal to the proper DC level for optimum operation. In this case,  $C_i$  and the minimum input impedance  $R_i$  from a high-pass filter with the corner frequency are determined by the following equation:

$$F_c (\text{highpass}) = \frac{1}{(2\pi R_i(\text{MIN}) \times C_i)} \quad (1)$$

The value of  $C_i$  must be considered carefully because it directly affects the low frequency performance of the circuit. Consider the example where  $R_i$  is 10kΩ and the specification calls for a flat bass response down to 10Hz. The equation is reconfigured as below:

$$C_i = \frac{1}{(2\pi R_i F_c)} \quad (2)$$

When the input resistance variation is considered, the  $C_i$  is 1.6μF, so a value in the range of 2.2μF to 3.3μF would be chosen. A further consideration for this capacitor is the leakage path from the input source through the input network ( $R_i + R_p$ ,  $C_i$ ) to the load. This leakage current creates a DC offset voltage at the input to the amplifier that reduces useful headroom, especially in high gain applications. For this reason, a low-leakage tantalum or ceramic capacitor is the best choice. When polarized capacitors are used, the positive side of the capacitor should face the amplifiers' input because the DC level of the amplifiers' input is held at  $V_{DD}/2$ . Please note that it is

important to confirm the capacitor polarity in the application.

Note: The headphone driver's input is ground reference, so please check the  $C_{i(HP)}$ 's polarized at design.

### Effective Bias Capacitor, $C_b$

As with any power amplifier, proper supply bypassing is critical for low noise performance and high power supply rejection.

The capacitor location on both the bypass and power supply pins should be as close to the device as possible. The effect of a larger bypass capacitor is improved PSRR due to increased 1.8V bias voltage stability. Typical applications employ a 5V regulator with 2.2μF and a 0.1μF bypass capacitor, which aids in supply filtering. This does not eliminate the need for bypassing the supply nodes of the APA2051. The selection of bypass capacitors, especially  $C_b$ , is thus dependent upon desired PSRR requirements and click-and-pop performance.

### Power Supply Decoupling, $C_s$

The APA2051 is a high-performance CMOS audio amplifier that requires adequate power supply decoupling to ensure the output total harmonic distortion (THD+N) is as low as possible. Power supply decoupling also prevents the oscillations caused by long lead length between the amplifier and the speaker. The optimum decoupling is achieved by using two different types of capacitor that target on different types of noise on the power supply leads. For higher frequency transients, spikes, or digital hash on the line, a good low equivalent-series-resistance (ESR) ceramic capacitor, typically 0.1μF, is placed as close as possible to the device  $V_{DD}$  lead works best (the pin1 ( $V_{DD}$ ) and pin2 (GND)'s capacitor must short less than 1cm). For filtering lower-frequency noise signals, a large aluminum electrolytic capacitor of 10μF or greater is placed near the audio power amplifier is recommended.

### Shutdown Function

In order to reduce power consumption while not in use, the APA2051 contains a shutdown pin to externally turn off the amplifier bias circuitry. This shutdown feature turns the amplifier off when a logic low is placed on the SET pin. The trigger point between a logic high and logic low



## Application Information (Cont.)

### Shutdown Function (Cont.)

level is typically 2.0V. It is the best to switch between the ground and the supply  $V_{DD}$  to provide maximum device performance.

By switching the SET pin to low, the amplifier enters a low-current consumption state,  $I_{DD} < 80\mu A$ . In normal operating, the SET pin is pulled to high level to keep the IC out of the shutdown mode. The SET pin should be tied to a definite voltage to avoid unwanted state changing. The wake-up time of shutdown is about 150ms, and the shutdown release's pop is caused by the operational amplifier's offset.

### Speaker Driver Amplifier Efficiency

An easy-to-use equation to calculate efficiency starts out as being equal to the ratio of power from the power supply to the power delivered to the load. The following equations are the basis for calculating amplifier efficiency.

$$\text{Efficiency} = \frac{P_O}{P_{\text{sup}}} \quad (3)$$

Where:

$$P_O = \frac{V_{O\text{rms}} * V_{O\text{rms}}}{R_L} = \frac{(V_P * V_P)}{2R_L} \quad (4)$$

$$V_{O\text{rms}} = \frac{V_P}{\sqrt{2}} \quad (5)$$

$$P_{\text{sup}} = V_{DD} * I_{DD}(\text{AVG}) = V_{DD} * \frac{2V_P}{\pi R_L} \quad (6)$$

Efficiency of a Differential configuration:

$$\frac{P_O}{P_{\text{sup}}} = \left\{ \frac{(V_P * V_P)}{2R_L} \right\} / \left\{ V_{DD} * \frac{2V_P}{\pi R_L} \right\} = \frac{\pi R_L}{4V_{DD}} \quad (7)$$

Table 1 calculates efficiencies for four different output power levels. Note that the efficiency of the amplifier is quite low for lower power levels and rises sharply as power to the load is increased resulting in nearly flat internal power dissipation over the normal operating range. Note that the internal dissipation at full output power is less than in the half power range. Calculating the efficiency for a specific system is the key to proper power supply design. For a stereo 1W audio system with 8W loads and a 5V supply, the maximum draw on the power supply is almost 3W.

Po (W)	Efficiency (%)	IDD(A)	VPP(V)	PD (W)
0.25	31.25	0.16	2.00	0.55
0.50	47.62	0.21	2.83	0.55
1.00	66.67	0.30	4.00	0.5
1.25	78.13	0.32	4.47	0.35

\*\*High peak voltages cause the THD+N to increase

Table 2. Efficiency vs. Output Power in 5-V/8W Differential Amplifier Systems.

A final point to remember about linear amplifiers is how to manipulate the terms in the efficiency equation to the utmost advantage when possible. Note that in equation,  $V_{DD}$  is in the denominator. This indicates that as  $V_{DD}$  goes down, efficiency goes up. In other words, using the efficiency analysis to choose the correct supply voltage and speaker impedance for the application.

### Power Dissipation

Whether the power amplifier is operated in BTL or SE modes, power dissipation is a major concern. The equation 8 states the maximum power dissipation point for a SE mode operating at a given supply voltage and driving a specified load.

$$\text{SE mode: } P_{D,\text{MAX}} = \frac{V_{DD}^2}{2\pi^2 R_L} \quad (8)$$

In BTL mode operation, the output voltage swing is doubled as in SE mode. Thus, the maximum power dissipation point for a BTL mode operating at the same given conditions is 4 times as in SE mode.

$$\text{BTL mode: } P_{D,\text{MAX}} = \frac{4V_{DD}^2}{2\pi^2 R_L} \quad (9)$$

Since the APA2051 is a dual channel power amplifier, the maximum internal power dissipation is 2 times that both of equations depending on the mode of operation. Even with this substantial increasing in power dissipation, the APA2051 does not require extra heatsink. The power dissipation from equation 9, assuming a 5V-power supply and an 8Ω load, must not be greater than the power dissipation that results from the equation 9:

$$P_{D,\text{MAX}} = \frac{T_{J,\text{MAX}} - T_A}{\theta_{JA}} \quad (10)$$

## Application Information (Cont.)

### Power Dissipation (Cont.)

For TQFN4x4-28 package with thermal pad, the thermal resistance ( $\theta_{JA}$ ) is equal to 45°C/W.

Since the maximum junction temperature ( $T_{J,MAX}$ ) of APA2051 is 150°C and the ambient temperature ( $T_A$ ) is defined by the power system design, the maximum power dissipation that the IC package is able to handle can be obtained from equation 10. Once the power dissipation is greater than the maximum limit ( $P_{D,MAX}$ ), either the supply voltage ( $V_{DD}$ ) must be decreased, the load impedance ( $R_L$ ) must be increased or the ambient temperature should be reduced.

### Thermal Pad Consideration

The thermal pad must be connected to the ground. The package with thermal pad of the APA2051 requires special attention on the thermal design. If the thermal design issues are not properly addressed, the APA2051 4Ω will go into thermal shutdown when driving a 4Ω load. The thermal pad on the bottom of the APA2051 should be soldered down to a copper pad on the circuit board. Heat can be conducted away from the thermal pad through the copper plane to ambient. If the copper plane is not on the top surface of the circuit board, 8 to 10 vias of 15 mil or smaller in diameter should be used to thermally couple the thermal pad to the bottom plane. For good thermal conduction, the vias must be plated through and solder filled. The copper plane used to conduct heat away from the thermal pad should be as large as practical.

If the ambient temperature is higher than 25°C, a larger copper plane or forced-air cooling will be required to keep the APA2051 junction temperature below the thermal shutdown temperature (150°C).

In higher ambient temperature, higher airflow rate and/or larger copper area will be required to keep the IC out of the thermal shutdown. See Demo Board Circuit Layout as an example for PCB layout.

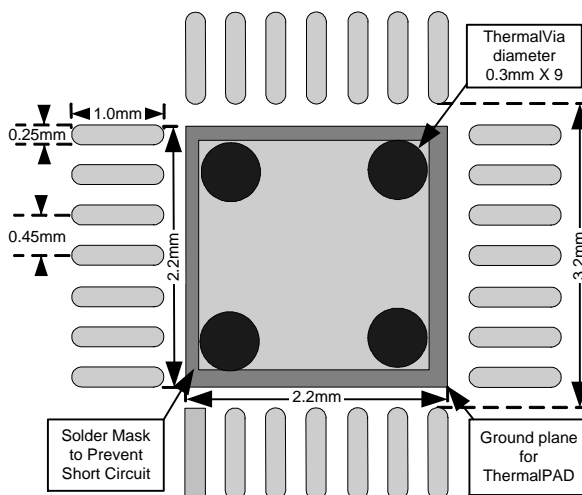


Figure 5. TQFN4X4-28 Land Pattern Recommendation

### Thermal Consideration

Linear power amplifiers dissipate a significant amount of heat in the package under normal operating conditions. In the Power Dissipation vs. Output Power graph, the APA2051 is operating at a 5V supply and a 4Ω speaker that 2W output power peaks are available. The vertical axis gives the information of power dissipation ( $P_D$ ) in the IC with respect to each output driving power ( $P_O$ ) on the horizontal axis.

This is valuable information when attempting to estimate the heat dissipation of the IC requirements for the amplifier system.

Using the power dissipation curves for a 5V/4Ω system, the internal dissipation in the APA2051 and maximum ambient temperatures is shown in Table 3.

Peak output power (W)	Average output power (W)	Power dissipation (W/channel)	Max. $T_A$ (°C)
			With thermal pad
2	1.95	1.25	37
2	1.17	1.25	37
2	0.74	1.19	43
2	0.43	1.05	55
2	0.19	0.8	78

Table 3. APA2051 Power information, 5V/4Ω, Stereo, Differential mode

## Application Information (Cont.)

### Thermal Consideration (Cont.)

Package	$\theta_{JA}$
TQFN4x4 -28	45°C/W

Table 4. Thermal resistance Table

This parameter is measured with the recommended copper heat sink pattern on a 2-layer PCB, 23cm<sup>2</sup> in 5.7mmx4mm in PCB, 2oz. Copper, 100mm<sup>2</sup> coverage. Airflow 0 CFM the maximum ambient temperature depends on the heat sink ability of the PCB system.

To calculate maximum ambient temperatures, first consideration is that the numbers from the dissipation graphs are per channel values, so the dissipation of the IC heat needs to be doubled for two-channel operation.

Given  $\theta_{JA}$ , the maximum allowable junction temperature ( $T_{J,Max}$ ), and the total internal dissipation ( $P_D$ ), the maximum ambient temperature can be calculated with the following equation. The maximum recommended junction temperature for the APA2051 is 150°C. The internal dissipation figures are taken from the Power Dissipation vs. Output Power graph.

$$T_{A,Max} = T_{J,Max} - \theta_{JA} P_D \quad (11)$$

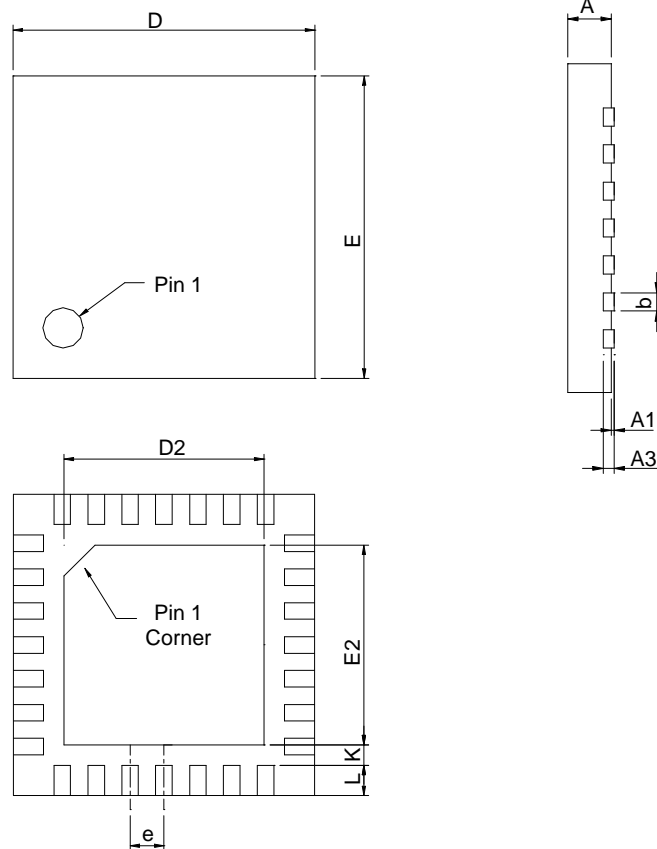
$$150 - 45(0.8*2) = 78^\circ\text{C (with thermal pad)}$$

NOTE: Internal dissipation of 0.8W is estimated for a 2W system with 15-dB headroom per channel.

Table 3 shows that for some applications, no airflow is required to keep junction temperatures in the specified range. The APA2051 is designed with a thermal shut-down protection that turns the device off when the junction temperature surpasses 150°C to prevent IC from damaging. The information in table 3 was calculated for maximum listen volume with limited distortion. When the output level is reduced, the numbers in the table change significantly. Also, using 8Ω speakers will dramatically increase the thermal performance by increasing amplifier efficiency.

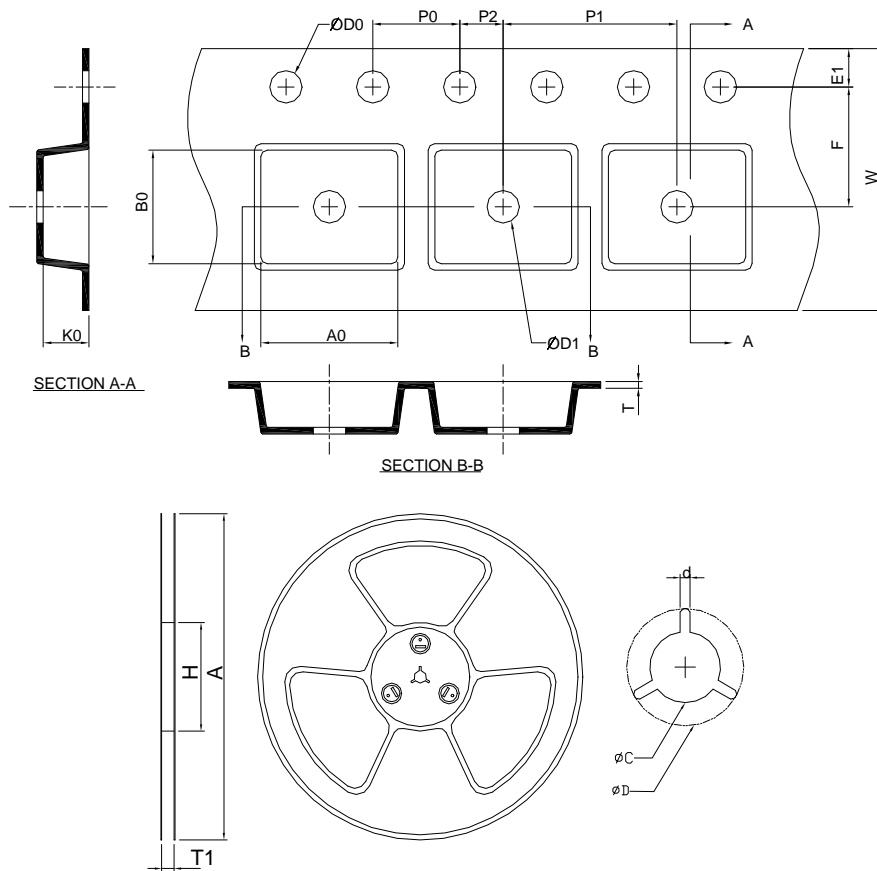
## Package Information

TQFN4x4-28



SYMBOLS	TQFN4x4-28			
	MILLIMETERS		INCHES	
	MIN.	MAX.	MIN.	MAX.
A	0.70	0.80	0.028	0.031
A1	0.00	0.05	0.000	0.002
A3	0.20 REF		0.008 REF	
b	0.17	0.27	0.007	0.011
D	3.90	4.10	0.154	0.161
D2	2.10	2.50	0.083	0.098
E	3.90	4.10	0.154	0.161
E2	2.10	2.50	0.083	0.098
e	0.45 BSC		0.018 BSC	
L	0.35	0.45	0.014	0.018
K	0.20	-	0.008	-

### Carrier Tape & Reel Dimensions



Application	A	H	T1	C	d	D	W	E1	F
TQFN4x4-28	330.0 ±0.00	50 MIN.	12.4+2.00 -0.00	13.0+0.50 -0.20	1.5 MIN.	20.2 MIN.	12.0 ±0.30	1.75 ±0.10	5.5 ±0.05
	P0	P1	P2	D0	D1	T	A0	B0	K0
	4.0 ±0.10	8.0 ±0.10	2.0 ±0.05	1.5+0.10 -0.00	1.5 MIN.	0.6+0.00 -0.40	4.30 ±0.20	4.30 ±0.20	1.30 ±0.20

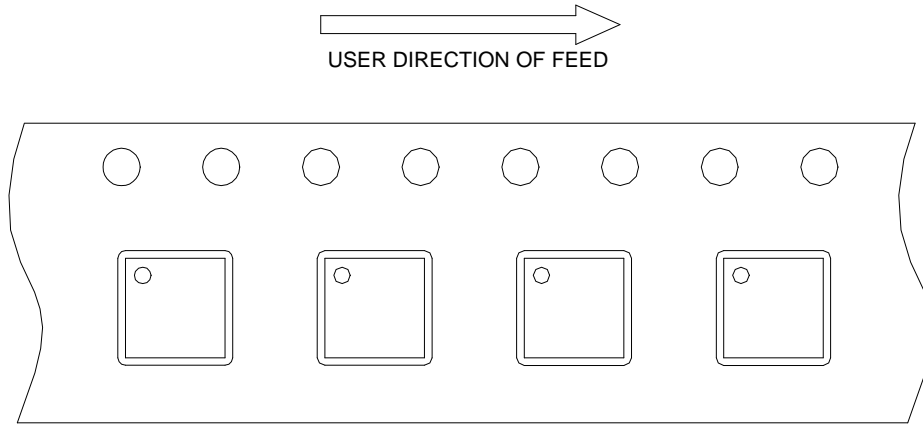
(mm)

### Devices Per Unit

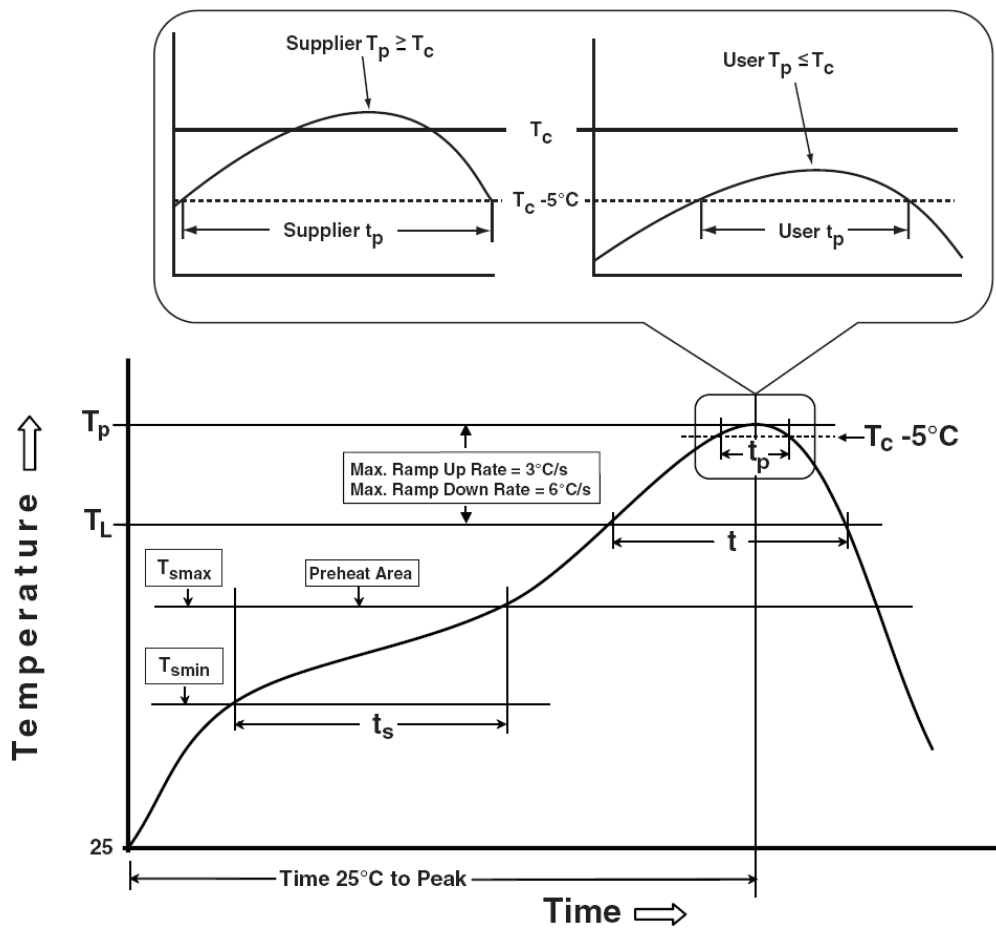
Package Type	Unit	Quantity
TQFN 4x4-28	Tape & Reel	3000

### Taping Direction Information

TQFN4x4-28



### Classification Profile



### Classification Reflow Profiles

Profile Feature	Sn-Pb Eutectic Assembly	Pb-Free Assembly
<b>Preheat &amp; Soak</b>		
Temperature min ( $T_{smin}$ )	100 °C	150 °C
Temperature max ( $T_{smax}$ )	150 °C	200 °C
Time ( $T_{smin}$ to $T_{smax}$ ) ( $t_s$ )	60-120 seconds	60-120 seconds
Average ramp-up rate ( $T_{smax}$ to $T_p$ )	3 °C/second max.	3°C/second max.
Liquidous temperature ( $T_L$ )	183 °C	217 °C
Time at liquidous ( $t_L$ )	60-150 seconds	60-150 seconds
Peak package body Temperature ( $T_p$ )*	See Classification Temp in table 1	See Classification Temp in table 2
Time ( $t_p$ )** within 5°C of the specified classification temperature ( $T_c$ )	20** seconds	30** seconds
Average ramp-down rate ( $T_p$ to $T_{smax}$ )	6 °C/second max.	6 °C/second max.
Time 25°C to peak temperature	6 minutes max.	8 minutes max.
* Tolerance for peak profile Temperature ( $T_p$ ) is defined as a supplier minimum and a user maximum.		
** Tolerance for time at peak profile temperature ( $t_p$ ) is defined as a supplier minimum and a user maximum.		

Table 1. SnPb Eutectic Process – Classification Temperatures ( $T_c$ )

Package Thickness	Volume mm <sup>3</sup> <350	Volume mm <sup>3</sup> ≥350
<2.5 mm	235 °C	220 °C
≥2.5 mm	220 °C	220 °C

Table 2. Pb-free Process – Classification Temperatures ( $T_c$ )

Package Thickness	Volume mm <sup>3</sup> <350	Volume mm <sup>3</sup> 350-2000	Volume mm <sup>3</sup> >2000
<1.6 mm	260 °C	260 °C	260 °C
1.6 mm – 2.5 mm	260 °C	250 °C	245 °C
≥2.5 mm	250 °C	245 °C	245 °C

### Reliability Test Program

Test item	Method	Description
SOLDERABILITY	JESD-22, B102	5 Sec, 245°C
HOLT	JESD-22, A108	1000 Hrs, Bias @ 125°C
PCT	JESD-22, A102	168 Hrs, 100%RH, 2atm, 121°C
TCT	JESD-22, A104	500 Cycles, -65°C~150°C
HBM	MIL-STD-883-3015.7	VHBM 2KV
MM	JESD-22, A115	VMM 200V
Latch-Up	JESD 78	10ms, 1 <sub>tr</sub> 100mA

---

## Customer Service

### **Anpec Electronics Corp.**

Head Office :

No.6, Dusing 1st Road, SBIP,  
Hsin-Chu, Taiwan  
Tel : 886-3-5642000  
Fax : 886-3-5642050

Taipei Branch :

2F, No. 11, Lane 218, Sec 2 Jhongsing Rd.,  
Sindian City, Taipei County 23146, Taiwan  
Tel : 886-2-2910-3838  
Fax : 886-2-2917-3838