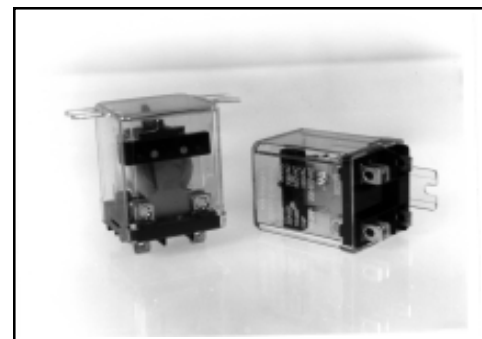


■ *Features*

- Industrial Control Relay
- Power Type, Large Capacity 30A

■ *Contact Rating*

Load	28VDC	120V AC	240V AC
Resist	30 Amps	30 Amps	30 Amps
Motor 80% pf	—	1 HP	1-1/2 HP



UL E155906
C-UL E155906

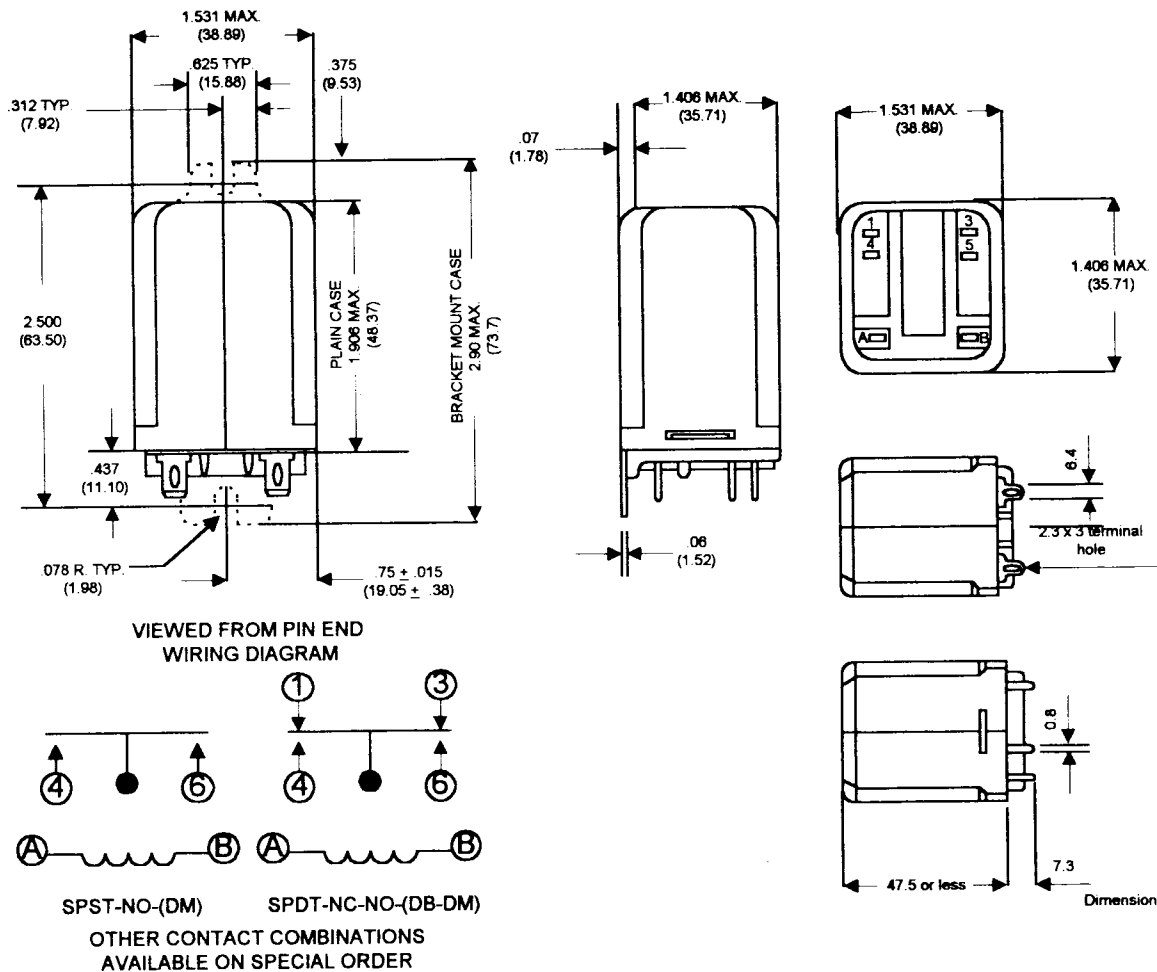
■ *Coil Rating*

Coil Voltage (VDC)		Coil Resistance (W) ± 10%	Pull-In Voltage	Drop-Out Voltage	Power Consumption
AC	6	4.2	80 %	30 %	2.7 VA Approx.
	12	18			
	24	72			
	110	1700			
	120	2250			
	220	7200			
	240	9110			
DC	6	32.1		10 %	1.2W Approx.
	12	120			
	24	472			
	48	1800			
	110	10000			
	125	10000			

■ *Specifications*

Contact Resistance	50m W maximum
Operate Time	20ms maximum
Release Time	10ms maximum
Insulation Resistance	100m W maximum at 500VDC
Dielectric Strength	Between open contacts: AC 1000V for 1 minute Between contact and coil: AC 2000V for 1 minute Between live parts and ground: AC 2000V for 1 minute
Ambient Temperature	-45°C ~ +60°C
Mechanical Life	More than 10,000,000 operations
Electrical Life	More than 100,000 operations

■ Dimensions



■ How to order

GB30 1Y - DC125 - TF - LB

