

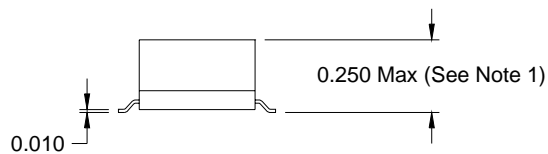
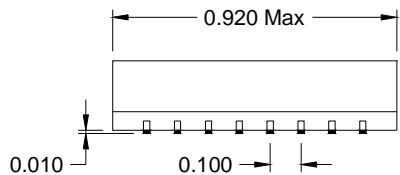


10BASE-T Single Port Ethernet Magnetics Module

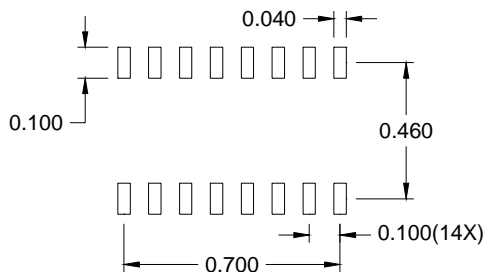
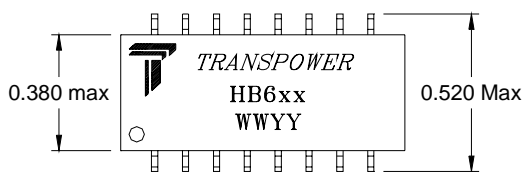
HB6xx-Schematic #7, Rev. C

02 Oct 00

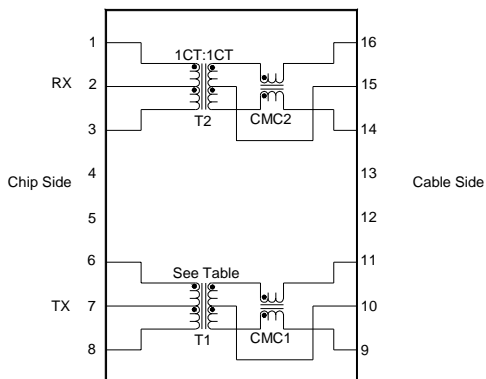
("xx" equals one of the circuit numbers in the table below the schematic)
Other circuit schematics are available. Please contact us at (800) 511-7308 or visit our web site at www.trans-power.com.



Note 1: Low profile package (-LP) max height is 0.215.



HB6xx SCHEMATIC #7



Standard Features:

- Single channel interface
- Compliant with IEEE 802.3 Standard
- Surface mount package designed for IR reflow process (240°C peak)

For alternate signal routing and other available schematics, see schematic "HB6xx-Schematic #6".

10BASE-T Part Number Table

Part Number	TX Turns Ratio (Chip:Cable)	CMC1	CMC2	OCL uH (Min)	LL uH (Max)	Cww pF (Max)	Temperature Range
HB619-1	1:1.41	No	No	140	0.40	15	0°C to +70°C
HB620-1	1:2	Yes	Yes	140	0.30	12	0°C to +70°C
HB624-1	1:2.5	Note 1	Note 1	140	0.40	15	0°C to +70°C
HB624ET-1	1:2.5	Note 1	Note 1	Note 3	0.40	15	-40°C to +85°C
HB625-1	1:1.41	Yes	Yes	140	0.40	12	0°C to +70°C
HB628-1	1:2	Yes	Yes	Note 4	0.30	12	-40°C to +85°C
HB629-1	1:1	Yes	Yes	140	0.40	12	0°C to +70°C
HB631-1	1:1.41	Yes	No	140	0.40	12	0°C to +70°C
HB634-1	1:2	No	No	140	0.40	12	0°C to +70°C
HB635-1	2:1	Yes	Yes	140	0.70	12	0°C to +70°C
HB636-1	2:1	Note 1	Note 1	140	1.00	20	0°C to +70°C

Notes:

- The 24-1, 24ET-1 and 36-1 circuits have one 4 line CMC
- OCL, Cww and LL are measured at 0.10Vrms at 100KHz
- TX OCL is 80uH Min @ 25°C, 35uH Min @ -40°C
RX OCL is 389uH Min @ 25°C, 200uH Min @ -40°C
- TX and RX OCL is 140uH Min @ 25°C, 60uH Min @ -40°C
- Dielectric isolation is 1500Vrms

2100