



50 Ohm SMA Male To SMA Female DC to 18 GHz Adjustable Phase Trimmer

TECHNICAL DATA SHEET

PE8200

50 Ohm SMA Male To SMA Female DC to 18 GHz Adjustable Phase Trimmer

Configuration

Design	Adjustable Phase Trimmer
Phase Adjustment, deg/GHz	9.5
Connector 1	SMA Male
Impedance 1	50 Ohms
Connector Specification 1	MIL-STD-348
Connector 2	SMA Female
Impedance 2	50 Ohms
Connector Specification 2	MIL-STD-348

Electrical Specifications

Frequency Range, GHz	DC to 18
Maximum VSWR	1.3:1
Maximum Insertion Loss, dB	0.5

Mechanical Specifications

Size

Length, in [mm]	2.2 [55.88]
Width/Dia., in [mm]	0.5 [12.7]

Connector 1

Type	SMA Male
Dielectric Type	TFE
Inner Conductor Material and Plating	Beryllium Copper, Gold
Inner Conductor Plating Specification	MIL-G-45204
Outer Conductor Material and Plating	Stainless Steel, Gold
Outer Conductor Plating Specification	MIL-G-45204
Coupling Nut Material and Plating	Passivated Stainless Steel
Coupling Nut Plating Specification	QQ-P-35
Hex Size, Inch	5/16
Torque, in-lbs [Nm]	8 [0.9]
Body Material and Plating	Stainless Steel, Gold
Body Plating Specification	MIL-G-45204

Connector 2

Type	SMA Female
Inner Conductor Material and Plating	Beryllium Copper, Gold
Inner Conductor Plating Specification	MIL-G-45204
Outer Conductor Material and Plating	Beryllium Copper, Gold
Outer Conductor Plating Specification	MIL-G-45204
Body Material and Plating	Beryllium Copper, Gold

Click the following link (or enter part number in "SEARCH" on website) to obtain additional part information including price, inventory and certifications: [50 Ohm SMA Male To SMA Female DC to 18 GHz Adjustable Phase Trimmer PE8200](#)

The information contained in this document is accurate to the best of our knowledge and representative of the part described herein. It may be necessary to make modifications to the part and/or the documentation of the part, in order to implement improvements. Pasternack reserves the right to make such changes as required. Unless otherwise stated, all specifications are nominal.





50 Ohm SMA Male To SMA Female DC to
18 GHz Adjustable Phase Trimmer

TECHNICAL DATA SHEET

PE8200

Body Plating Specification

MIL-G-45204

Compliance Certifications (visit www.Pasternack.com for current document)

RoHS Compliant

Yes

Plotted and Other Data

Notes:

Values at 25 °C, sea level

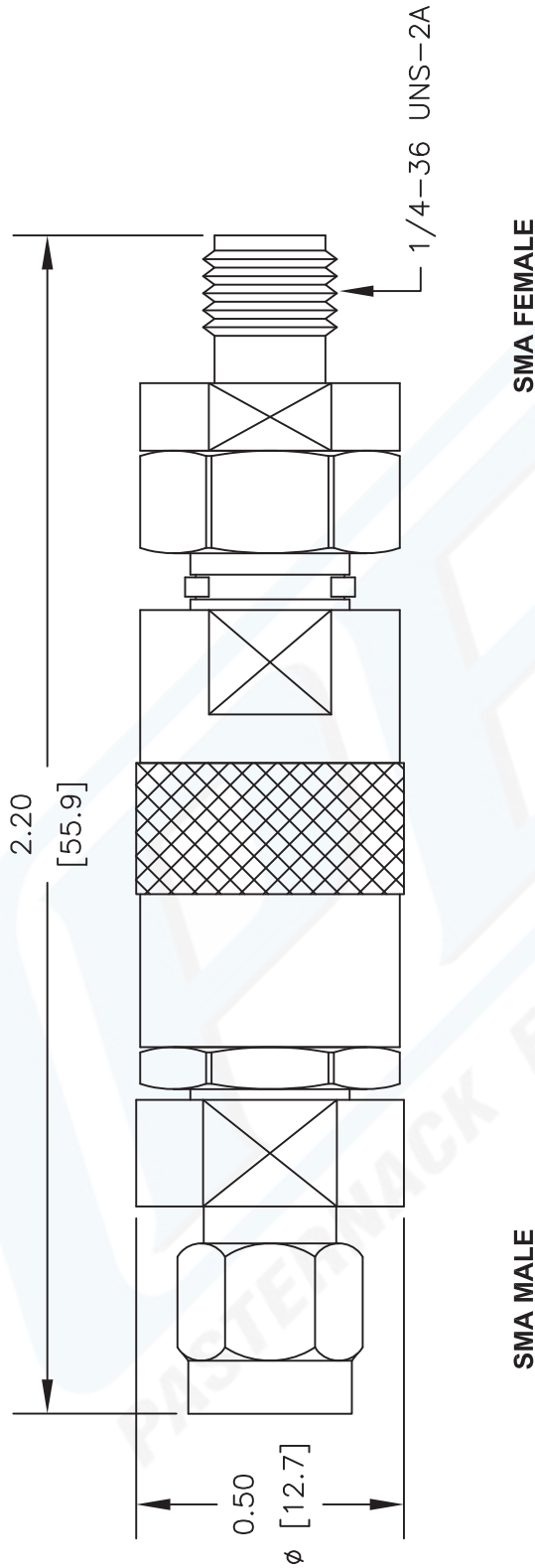
URL: <http://www.pasternack.com/adjustable-phase-trimmer-sma-male-to-sma-female-dc-to-18-ghz-pe8200-p.aspx>

50 Ohm SMA Male To SMA Female DC to 18 GHz Adjustable Phase Trimmer from Pasternack Enterprises has same day shipment for domestic and International orders. Our RF, microwave and fiber optic products maintain a 99% availability and are part of the broadest selection in the industry.

The information contained in this document is accurate to the best of our knowledge and representative of the part described herein. It may be necessary to make modifications to the part and/or the documentation of the part, in order to implement improvements. Pasternack reserves the right to make such changes as required. Unless otherwise stated, all specifications are nominal.

PE8200 CAD Drawing

50 Ohm SMA Male To SMA Female DC to 18 GHz Adjustable Phase Trimmer



NOTES:
 1. UNLESS OTHERWISE SPECIFIED ALL DIMENSIONS ARE NOMINAL.
 2. ALL SPECIFICATIONS ARE SUBJECT TO CHANGE WITHOUT NOTICE AT ANY TIME.
 3. DIMENSIONS ARE IN INCHES [mm].

DWG TITLE
PE8200

REV. B	FSCM NO. 53919	CAD FILE 071511	SCALE N/A	SIZE A	2231
--------	----------------	-----------------	-----------	--------	------

PE PASTERNAK®
 Pasternack Enterprises, Inc.
 P.O. Box 16759 | Irvine | CA | 92623
 Phone: (949) 261-1920 | Fax: (949) 261-7451
 Website: www.pasternack.com | E-Mail: sales@pasternack.com