

SECONDARY REGULATOR FOR VTR ELECTRIC EQUIPMENT 【1】 (VTR 及び 電子機器用)

Family シリーズ名	Constitution 構成	Maximum Rating 最大定格			Type No 機種	Output1			Output2		
		Vin(DC)	Tc max	Tstg		Vo	Io		Vo	Io	
							Av	Pk		Av	Pk
		max V	°C	°C		V	A	A	V	A	A
STK 5330	Series Reg. + SW	30	105	-30 ~ +105	STK 5331	12.30	1.0	2.0	6.05	1.0	2.0
STK 5335	Series Reg. + SW	30	105		STK 5335	12.30	1.0	2.0	6.10	1.0	2.0
		30	105		STK 5336	12.35	1.0	2.0	6.15	1.0	2.0
STK 5460	Series Reg. × 3	30	105		STK 5461	12.00	1.0	2.0	12.00	1.0	2.0
		30	105		STK 5462	16.00	1.0	2.0	9.00	1.0	2.0
		30	105		STK 5466	12.00	1.0	2.0	12.00	1.0	2.0
STK 5470	Series Reg. × 3	30	105		STK 5471	12.00	1.5	2.5	12.00	1.5	2.5
		30	105		STK 5476	12.00	1.5	2.5	12.00	1.5	2.5
		30	105		STK 5477	12.00	1.0	2.5	12.00	1.0	2.5
STK 5480	Series Reg. × 4	30	105		STK 5481	12.00	1.5	2.5	12.20	1.0	1.2
		30	105	STK 5482	15.00	1.0	2.5	5.80	0.5	1.0	
					13.00						

■ EQUIVALENT CIRCUIT

(2)

■ FEATURES

- 3 or 4 Outputs/Package
- Low sat type(Hi efficiency)
- High-precision setting of output voltage
- With cut off function

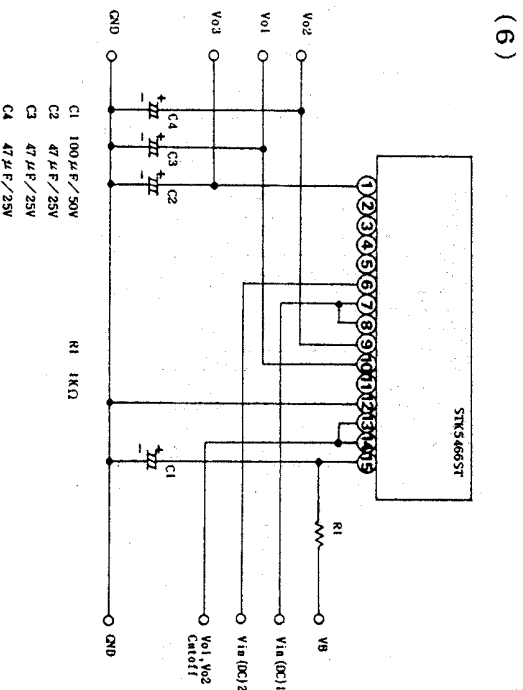
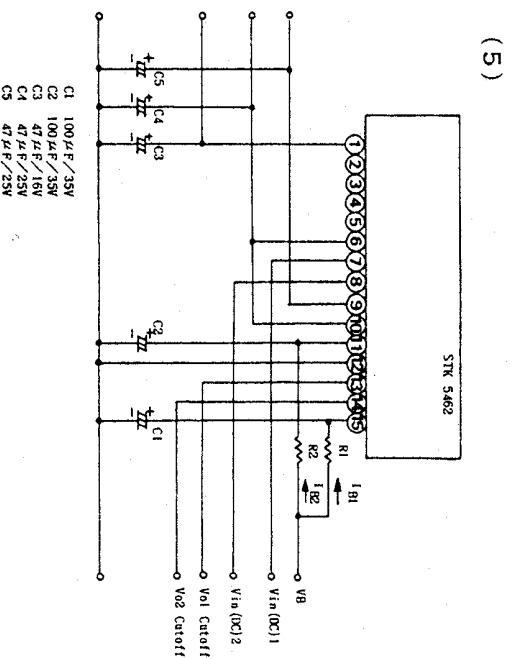
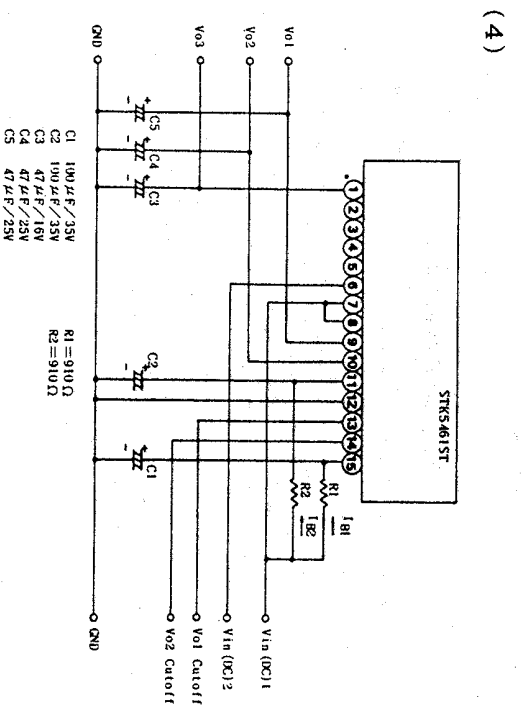
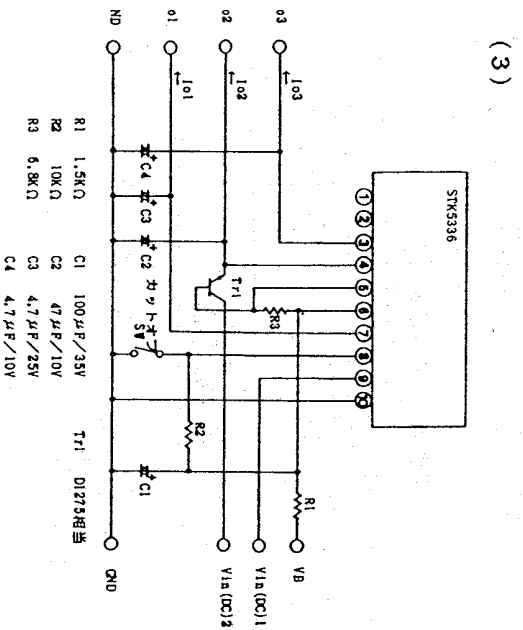
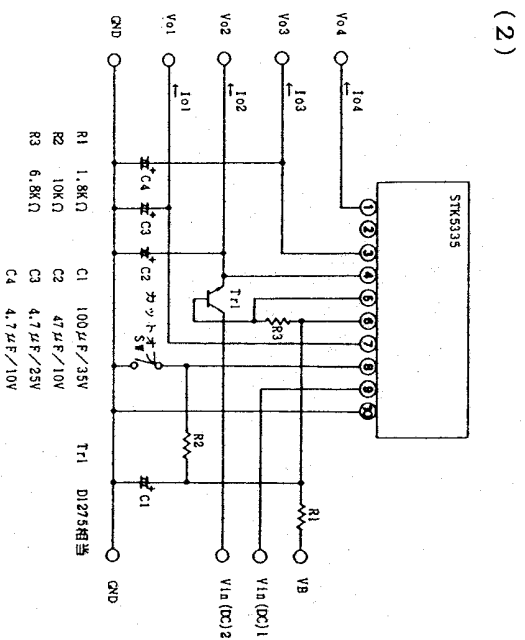
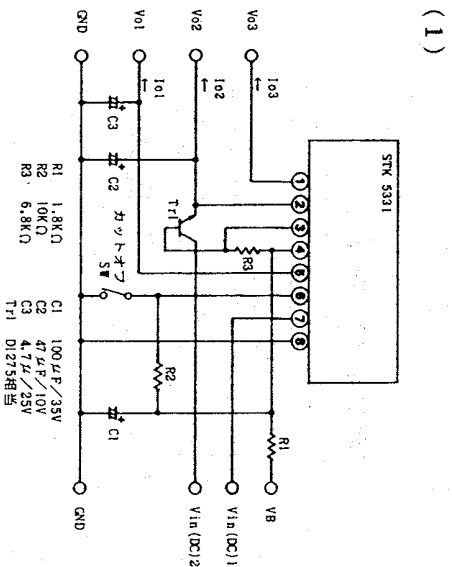
■ 特長

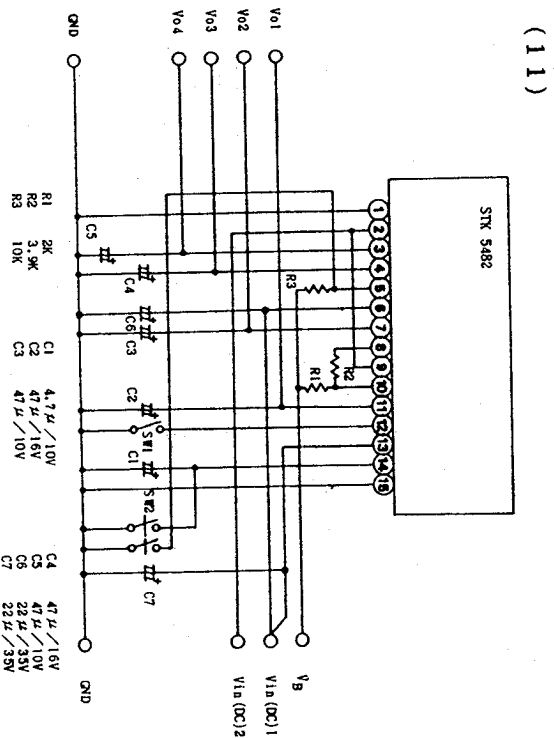
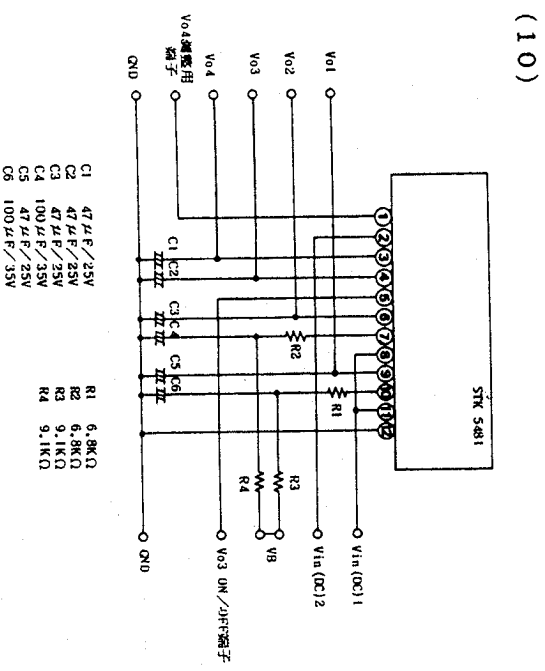
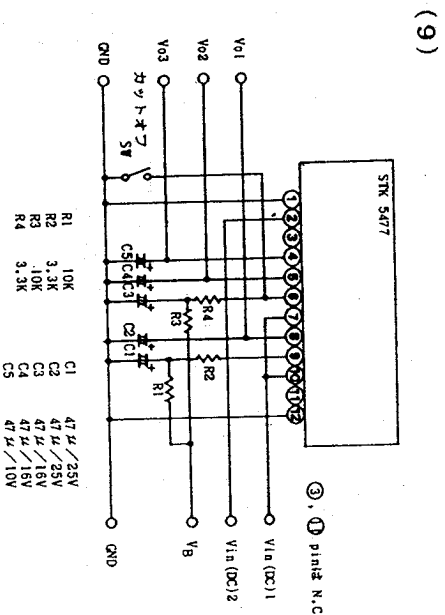
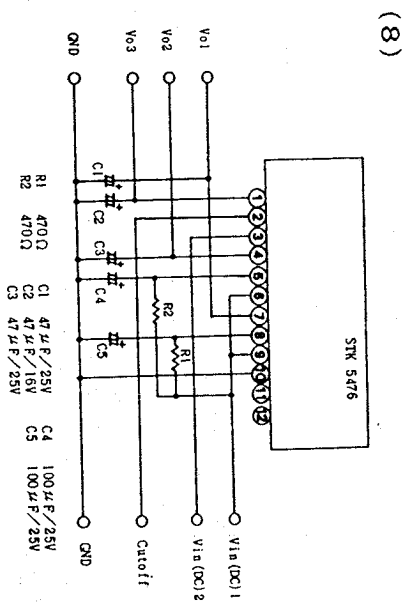
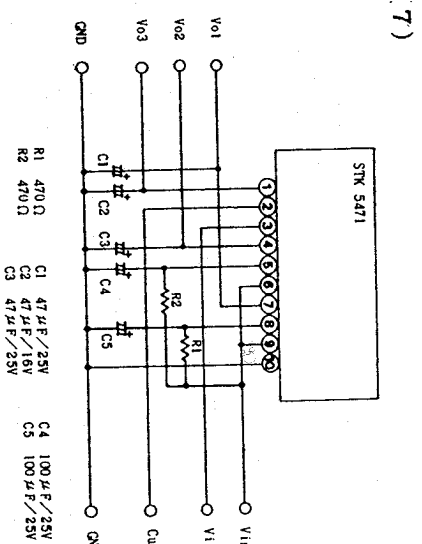
- 3又は、4出力/パッケージ
- ローサットタイプ(高効率)
- 出力電圧の高精度設定
- カットオフ機能付

Output3			Output4			Equivalent Circuit 等価回路	Applica- tion 応用回路	Package 外形図
Vo	Io		Vo	Io				
	Av	Pk		Av	Pk			
V	A	A	V	A	A			
5.10	0.5					(1)	(1)	(1)
5.10	1.0	1.5	5.1	1.0	1.5	(2)	(2)	(2)
5.15	1.0	1.5				(3)	(3)	(2)
5.1	0.5					(4)	(4)	(3)
5.1	0.5					(4)	(5)	(4)
5.3	1.0	2.0				(5)	(6)	(3)
5.3	0.5					(6)	(7)	(2)
5.3	1.0	2.0				(7)	(8)	(5)
5.1	1.0	2.0				(8)	(9)	(5)
12.1	1.0	1.2	5.3	1.0	1.2	(9)	(10)	(6)
12.0	1.0	2.5	5.1	1.0	2.5	(10)	(11)	(7)

(3)

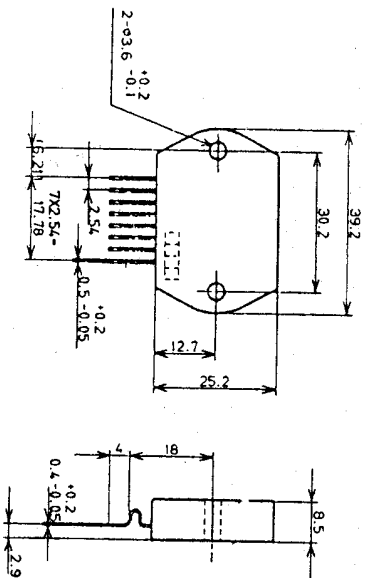
■ APPLICATION



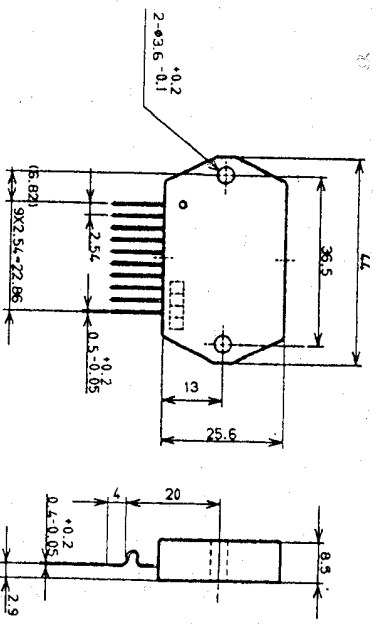


■ PACKAGE DIMENSION

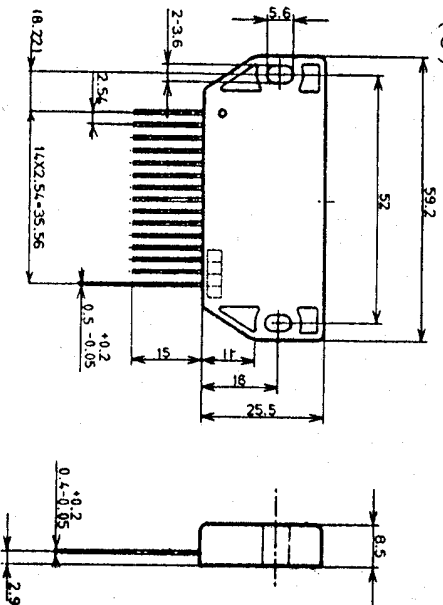
(1)



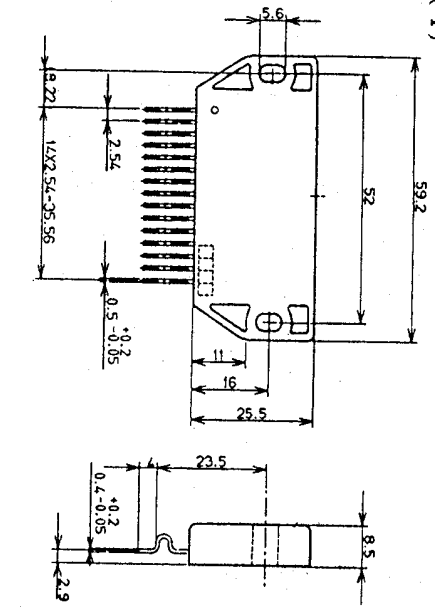
(2)



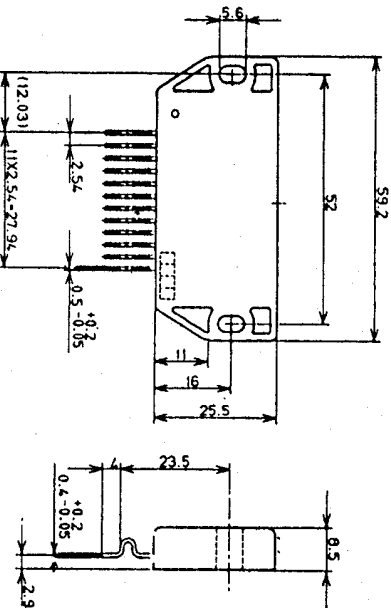
(3)



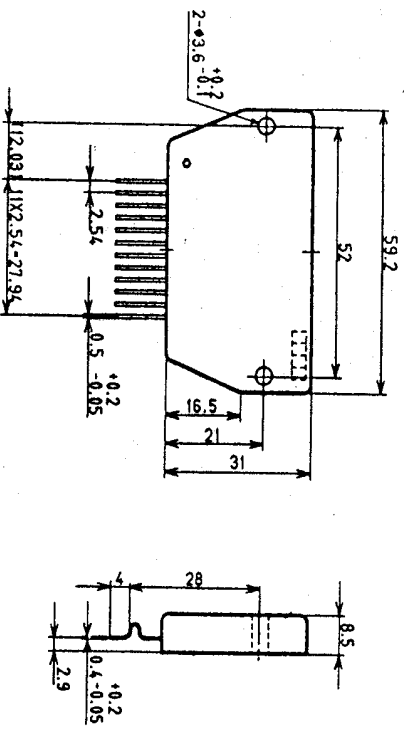
(4)



(5)



(6)



(7)

