



## Introduction

### 3527/2528 LED Strip Lights

The LED Soft Strip lights are designed by using the surface mounted LEDs on a flexible PCB board with a viewing angle greater than 120 degree. The LED lights are uniformly distributed with three LEDs in each perforated portion, and each group can be cut for length requirement.

The LED Soft Strip lights are available in all kinds of colors for different decoration usage.

Its voltage is DC12V for safety usage.



**CE RoHS**

#### Features:

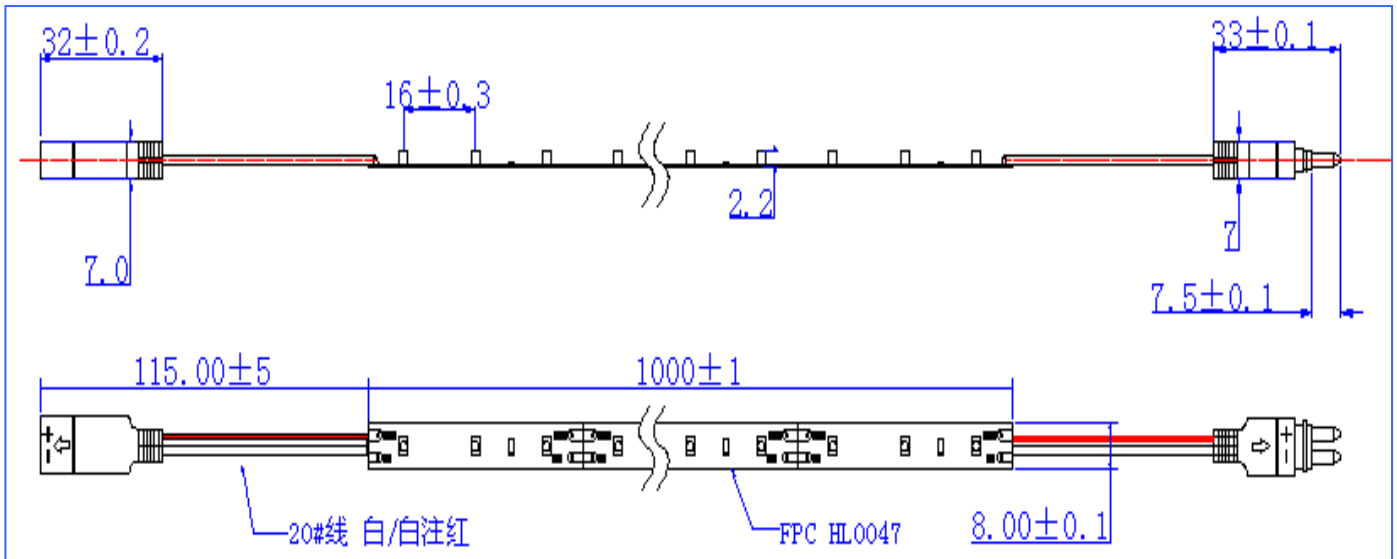
- ☀ Adopt FPC as substrate
- ☀ High brightness SMD LED as light source with a 120 degree viewing angle.
- ☀ Different colors available: Pure white, cool white, red, green, blue, yellow, RGB color, etc.
- ☀ Any length of 5 meters or below.
- ☀ Input Power: DC12V.
- ☀ Can be cut or connect to the longest length of 10 meters
- ☀ Unique waterproof connector for outdoor usage.
- ☀ Environment protection, Saves 80% more energy than the traditional light. Life span of 50000 hours.

#### Application:

- ☀ Architecture, Corridor, Aisle
- ☀ Sign, Backlighting
- ☀ Hotel, KTV, Decoration
- ☀ Exhibition decoration, Household



Dimension (1m)



Parameters:

Part number	Color	Angle	CCT(K)/(nm)	LED Brightness (mcd)
				@ 20mA
STR1060005CE03	Cold White	120°	5450~6600K	Average 2200
STR1060005ND03	Natural white	120°	3920~4600K	2200
STR1060005WD03	Warm white	120°	2760~3160K	1500
STR1060005RA03	Red	120°	620~630nm	170
STR1060005GD03	Green	120°	520~535nm	900
STR1060005BA03	Blue	120°	460~470nm	210
STR1060005YA03	Yellow	120°	585~597nm	150

## Main Items

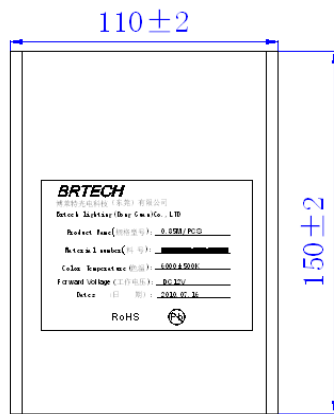
Voltage	DC 12V
Current	400mA/m
Power	4.8W/m
LED Type	SMD3527 (White) / SMD3528 (R/IG/IB/Y)
LED Qty	60PCS/m
Life	50,000hr
Temperature	-20~55°C
Humidity	≤90%
Material	FPC
Dimension	1010*8*2.2mm (1m, without connector)
Weight	19g (1m)

Package

1. 1m inside Package:



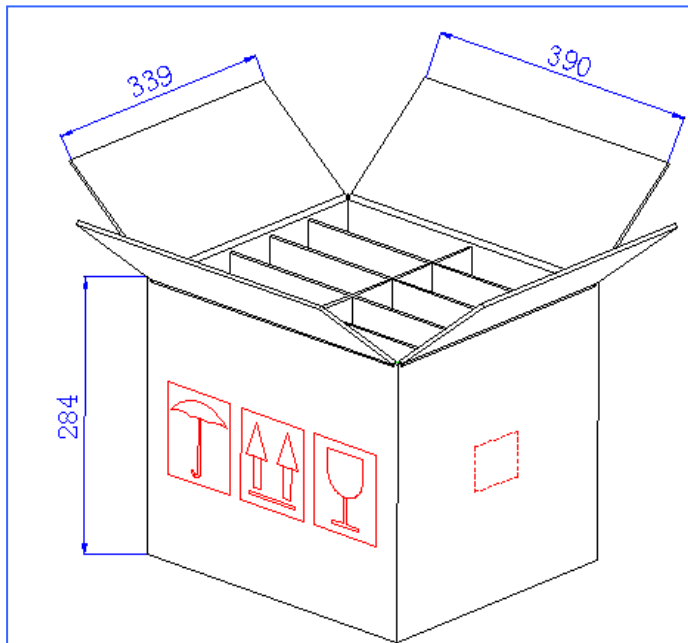
3M468 Tape at the back of the strip



Size: 150\*110mm  
Net Weight: 19g  
Gross Weight: 21g

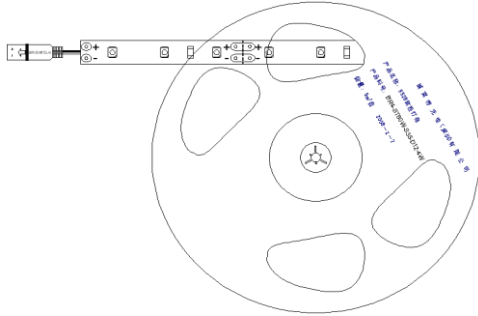
Shielding Bag: 1PCS/bag (1m)

Outer Box:

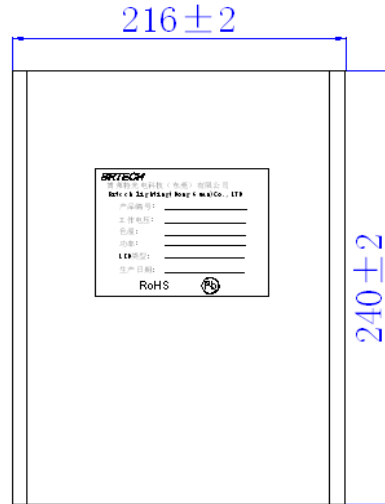


Size: 390\*339\*284mm  
Qty: 100 PCS  
Net Weight: 1.9 Kg (1m)  
Gross Weight: 4.3 Kg (1m)

**2. >1m inside Package:**



Reel: 1PCS/reel (>1m)

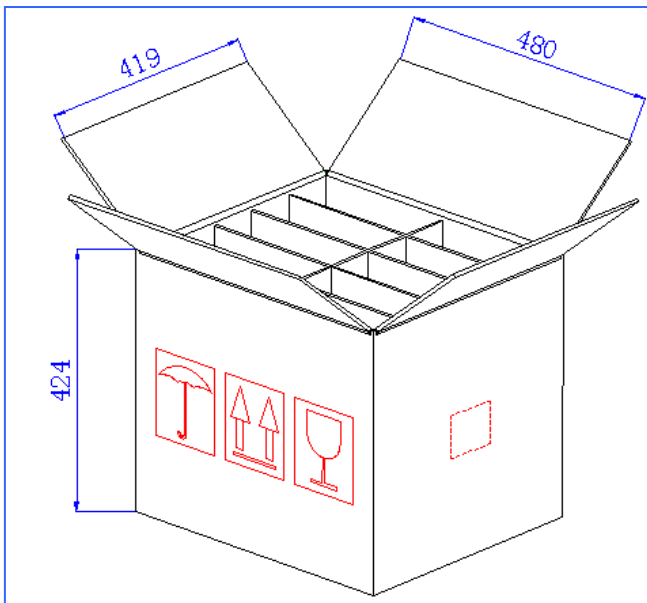


Size: 240\*216mm

Net Weight: 41g

Gross Weight: 46g (3m)

Place reel into the shielding bag: 1PCS/bag



Size: 480\*419\*424mm

Qty: 100 PCS

Net Weight: 4.1 Kg (1m)

Gross Weight: 6.7 Kg (3m)

## Cautions:

1. Please check the correct input and output of the switching power before the installation.
2. Under the cold temperature, the LED strip can be powered up for a few minutes first as this can soften the strip. The user will then be able to bend the strip, then power it off.
3. The strip should be bended in less than a 90 degree angle; otherwise the LED may not be lit due to the broken LED solder pad.
4. Please do not power up during the installation. The LED strip should be lit up until the installation is completely finished.
5. Please do not hit or force the strip when installing or using the strip.
6. Please do not install the strip inside the water directly or any situation that can easily cause fire or explosion.
7. Do not tie the strip with metal material when installing. Please avoid any external metal material inside the strip which may cause short circuit of the strip.
8. Non-waterproof strip or PVC tube strip are more proper to use for indoor. Silicone cover can be used for indoor or outdoor.
9. When the silicone cover strips are used for outdoor, please make sure the power supply is installed in an indoor or dry environment.

**Note: Specifications are subject to change without notice. Any question, please contact us directly.**

**Revision History:**

Description:	Revision #	Revision Date
New Release of STR1060005XX03 Series	V1.0	10/17/2011

  
*Disclaimer*

QT-BRIGHTTEK reserves the right to make changes without further notice to any products herein to improve reliability, function or design. QT-BRIGHTTEK does not assume any liability arising out of the application or use of any product or circuit described herein; neither does it convey any license under its patent rights, nor the rights of others.

**Life Support Policy**

QT-BRIGHTTEK's products are not authorized for use as critical components in life support devices or systems without the express written approval of QT-BRIGHTTEK. As used herein:

1. Life support devices or systems are devices or systems which, (a) are intended for surgical implant into the body, or (b) support or sustain life, and (c) whose failure to perform when properly used in accordance with instructions for use provided in the labeling, can be reasonably expected to result in a significant injury of the user.
2. A critical component in any component of a life support device or system whose failure to perform can be reasonably expected to cause the failure of the life support device or system, or to affect its safety or effectiveness.