



UT232A

Preliminary

CMOS

ENHANCED RS-232 LINE DRIVERS/RECEIVERS

DESCRIPTION

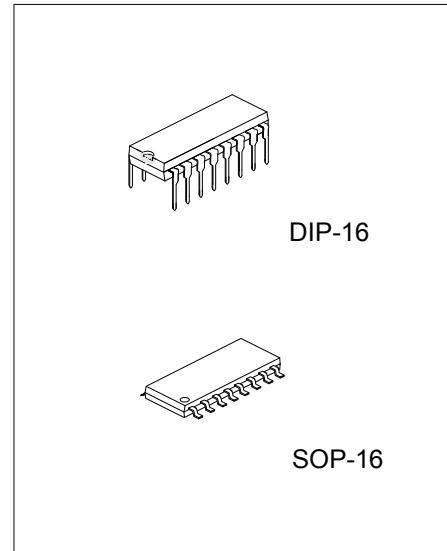
The UTC **UT232A** is the enhanced versions RS-232 line drivers/receivers. Enhancements of use performance include increased drive current for longer and more flexible cable configurations and 10V/μs slew rate, 120k bits per second guaranteed transmission rate and Ease of use enhancements include enhanced ESD protection, low power dissipation, smaller, 0.1μF charge pump capacitors, and overall ruggedized construction for commercial environments.

FEATURES

- * Receiver input levels:±30V
- * Single 5V power supply
- * 0.1μF small charge pump capacitors
- * High data rate-120kbps
- * High output slew rate 10V/μs
- * ≤1μA low power shutdown
- * 3-State outputs of TTL/CMOS receiver
- * Multiple drivers and receivers

ORDERING INFORMATION

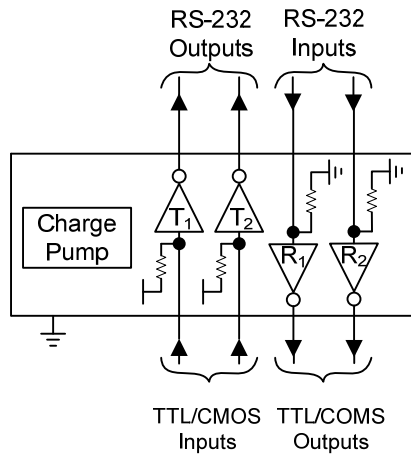
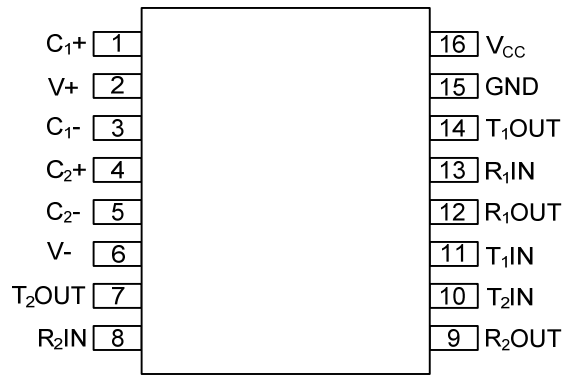
Ordering Number			Package	Packing
Normal	Lead Free	Halogen Free		
UT232A-D16-T	UT232AL-D16-T	UT232AG-D16-T	DIP-16	Tube
UT232A-S16-R	UT232AL-S16-R	UT232AG-S16-R	SOP-16	Tape Reel



Lead-free: UT232AL
Halogen-free: UT232AG

<p>UT232AL-D16-T</p> <p>(1)Packing Type (2)Package Type (3)Lead Plating</p>	<p>(1) R: Tape Reel, T: Tube (2) D16: DIP-16, S16: SOP-16 (3) G: Halogen Free, L: Lead Free, Blank: Pb/Sn</p>
---	---

■ PIN CONFIGURATION



■ ABSOLUTE MAXIMUM RATINGS

PARAMETER	SYMBOL	RATINGS	UNIT
Supply voltage range	V_{CC}	6	V
Positive-output supply voltage range	V^+	$(V_{CC}-0.3) \sim +13.2$	V
Negative-output supply voltage range	V^-	13.2V	V
Input Voltages	T_{IN}	$-0.3 \sim (V_{CC}+0.3)$	V
	R_{IN}	± 30	V
Output Voltages	T_{OUT}	$(V^+, +0.3) \sim (V^-, -0.3)$	V
	R_{OUT}	$-0.3 \sim (V_{CC}+0.3)$	V
Short Circuit Duration	T_{OUT}	Continuous	
Power Dissipation	P_D	375	mW
Operating Temperature	T_{OPR}	0 ~ +70	°C

Note Absolute maximum ratings are those values beyond which the device could be permanently damaged. Absolute maximum ratings are stress ratings only and functional device operation is not implied.

■ ELECTRICAL CHARACTERISTICS

($V_{CC}=+5V \pm 10\%$; 0.1 μ F charge pump capacitors; T_{MIN} to T_{MAX} unless otherwise specified.)

PARAMETER	SYMBOL	TEST CONDITIONS	MIN	TYP	MAX	UNIT	
TTL INPUT							
Logic Threshold	Low	V_{THR}	$T_{IN}; \overline{EN}, \overline{SD}$			0.8	V
	High			$T_{IN}; \overline{EN}, \overline{SD}$	2.0		
Logic Pull up Current		$T_{IN}=0V$		15	200	μ A	
Maximum Data Rate		$C_L=2500pF, R_L=3k\Omega$	120			k	
TTL OUTPUT							
TTL/CMOS Output Voltage	Low	V_{OL}	$I_{OUT}=3.2mA; V_{CC}=+5V$			0.4	V
	High	V_{OH}	$I_{OUT}=-1.0mA$	3.5			V
RS-232 OUTPUT							
Output Voltage Swing		$V_{O(SW)}$	All transmitter outputs loaded With 3k Ω to Ground	± 5	± 9		V
Output Resistance		R_O	$V_{CC}=0V; V_{OUT}=\pm 2V$	300			Ω
Output Short Circuit Current		$I_{O(SC)}$	Infinite duration		± 18		mA
RS-232 INPUT							
Voltage Range				-30		+30	V
Voltage Threshold	Low	$V_{THR(L)}$	$V_{CC}=5V, T_A=+25^\circ C$	0.8	1.2		V
	High	$V_{THR(H)}$			1.7	2.4	V
Hysteresis		V_{HYS}	$V_{CC}=5V, T_A=+25^\circ C$	0.2	0.5	1.0	V
Resistance		R_I	$T_A=+25^\circ C, -15V \leq V_{IN} \leq +15V$	3	5	7	k Ω
DYNAMIC CHARACTERISTICS							
Propagation Delay, RS232 to TTL					1.5		μ s
Instantaneous Slew Rate		SR	$C_L=10pF, R_L=3-7k\Omega;$ $T_A=+25^\circ C$			30	V/ μ s
Transition Region Slew Rate		SR	$C_L=2500pF, R_L=3k\Omega;$ measured from $+3V \sim -3V$ or $-3V \sim +3V$		10		V/ μ s
POWER REQUIREMENTS							
V_{CC} Power Supply Current			No load, $T_A=+25^\circ C; V_{CC}=5V$	10	15		mA
			All transmitters $R_L=3k\Omega; T_A=+25^\circ C$	25			mA

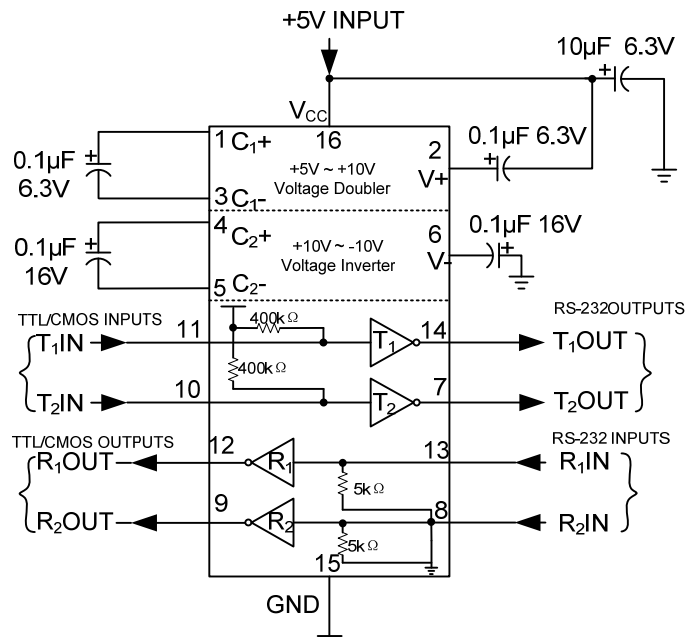
■ APPLICATION INFORMATION

To operate from a single +5V supply, the UTC **UT232A** include charge pump voltage converters which can allow it. To generate the RS-232 output levels these converters convert the +5V input power to the $\pm 10V$ needed. The current drain due to charge pump operation is considerably reduced, typically to 400 μA with this power supplied externally.

The UTC **UT232A** can operate over the commercial, industrial and military temperature ranges.

Protection from Shorts to $\pm 15V$

Against shorts to ground, any other driver output, and V^+ or V^- the driver outputs are protected. If the outputs is connected to voltages higher than $\pm 15V$ inadvertently, then the external protection is recommended to be provided. While voltages exceeding $\pm 15V$,for protection, two back-to-back zener diodes which is connected from each output to ground will clamp the outputs to an acceptable voltage level.



Connecting the capacitor to \bar{V}_{CC} (+5V) is recommended. The negative terminal of the V^+ storage capacitor can be connected to either V_{CC} .

UTC assumes no responsibility for equipment failures that result from using products at values that exceed, even momentarily, rated values (such as maximum ratings, operating condition ranges, or other parameters) listed in products specifications of any and all UTC products described or contained herein. UTC products are not designed for use in life support appliances, devices or systems where malfunction of these products can be reasonably expected to result in personal injury. Reproduction in whole or in part is prohibited without the prior written consent of the copyright owner. The information presented in this document does not form part of any quotation or contract, is believed to be accurate and reliable and may be changed without notice.