

**52**mm sq.

# San Ace 52

15mm thick (GA type), 15mm thick



## General Specifications

- Material ..... Frame: Plastics (Flammability: UL94V-0),  
Impeller: Plastics (Flammability: UL94V-0)
- Expected Life ..... Refer to specifications (L10: Survival rate: 90% at 60°C ,  
rated voltage, and continuously run in a free air state)
- Lead Wire ..... ⊕red ⊖black (Sensor) yellow (Control) brown
- Storage Temperature ..... -30°C to +70°C (Non-condensing)

**52×52×15**mm (Mass : 40g) **GA type** **Low Power Consumption Fan**



## Specifications

The following nos. have PWM controls, pulse sensors, and ribs.

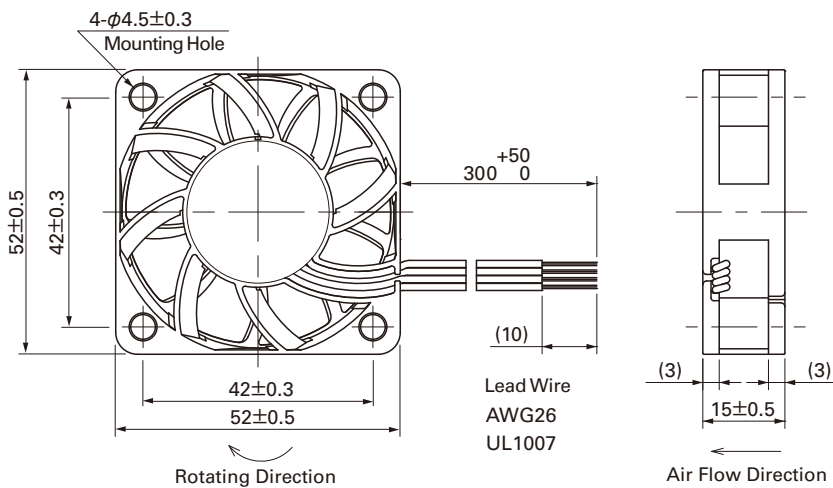
Model No.	Rated Voltage [V]	Operating Voltage Range [V]	PWM duty cycle <sup>Note①</sup> [%]	Rated Current [A]	Rated Input [W]	Rated Speed [min <sup>-1</sup> ]	Max. Air Flow [m <sup>3</sup> /min] [CFM]	Max. Static Pressure [Pa] [inchH <sub>2</sub> O]	SPL [dB(A)]	Operating Temperature [°C]	Expected Life [h]
9GA0512P7G001	12	10.2 to 13.8	100	0.13	1.56	7,800	0.50 17.7	91.5 0.367	38	-20 to +70	40,000
9GA0512P7A001				0.08	0.96	6,300	0.40 14.1	59 0.237	32		
9GA0512P7H001				0.05	0.60	4,300	0.275 9.7	27.5 0.110	22		
9GA0512P7M001				0.04	0.48	3,400	0.215 7.6	17 0.068	16		
9GA0524P7G001	24	20.4 to 27.6	100	0.07	1.68	7,800	0.50 17.7	91.5 0.367	38		
9GA0524P7A001				0.05	1.20	6,300	0.40 14.1	59.0 0.237	32		
9GA0524P7H001				0.03	0.72	4,300	0.275 9.7	27.5 0.110	22		
9GA0524P7M001				0.02	0.48	3,400	0.215 7.6	17.0 0.068	16		

Note : Fan does not rotate when PWM duty cycle is 0%.

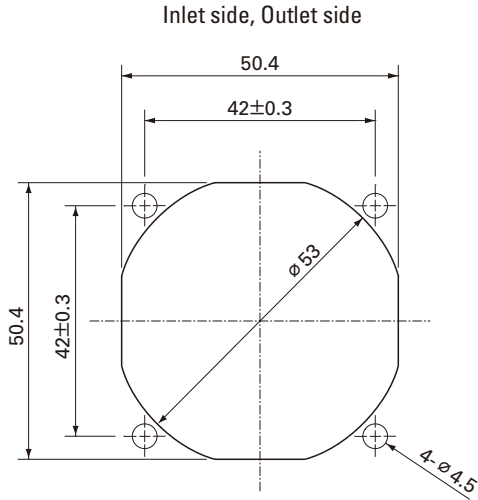
※PWM Frequency : 25kHz

- Available options: ⇒ **Without Sensor** **Pulse Sensor**

## Dimensions (Unit : mm)



Reference dimension of mounting holes and vent opening (Unit : mm)

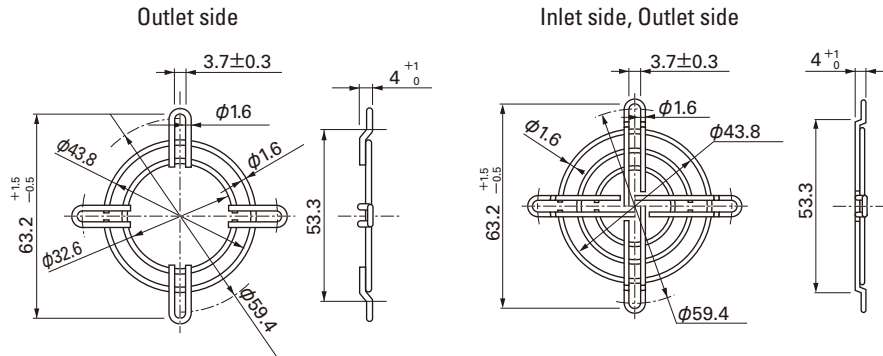


Options (Unit : mm)

Finger guards

Model : 109-149 Surface treatment : Nickel-chrome plating Color (silver)

Model : 109-149E Surface treatment : Nickel-chrome plating Color (silver)



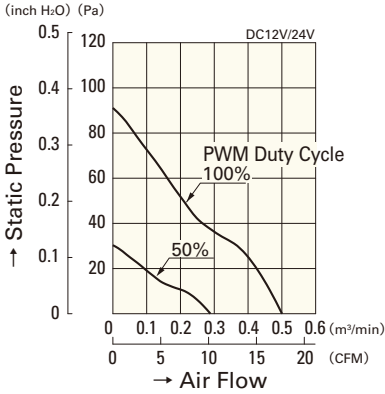
**52**mm sq.

**San Ace 52**

**52×52×15**mm [Mass : 40g]

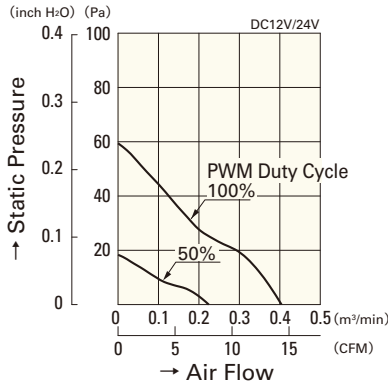
**Air Flow - Static Pressure Characteristics**

**PWM Duty Cycle**



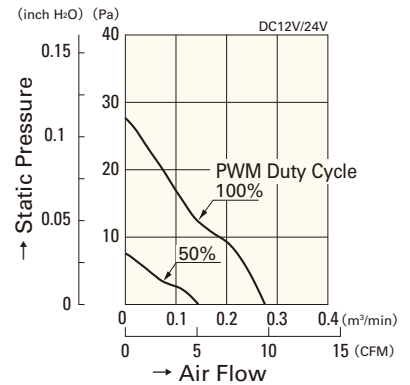
**9GA0512P7G001**

**9GA0524P7G001**



**9GA0512P7A001**

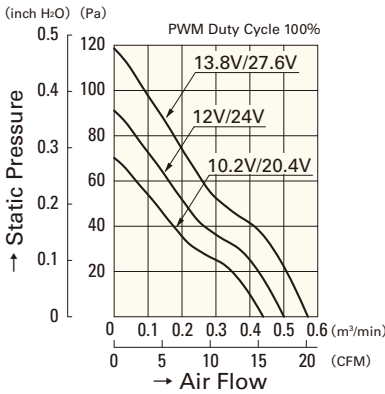
**9GA0524P7A001**



**9GA0512P7H001**

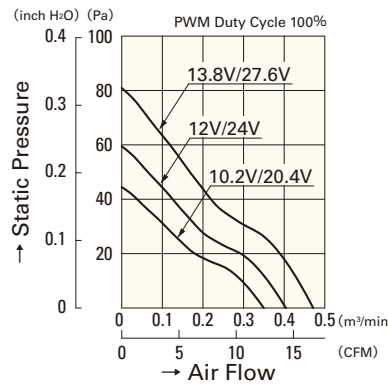
**9GA0524P7H001**

**Operating Voltage Range**



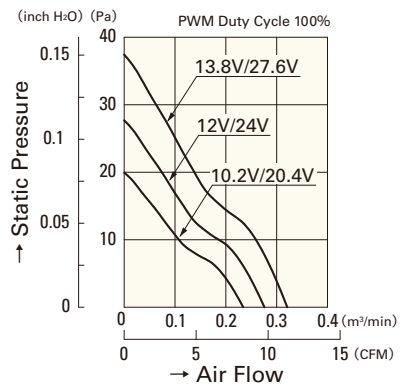
**9GA0512P7G001**

**9GA0524P7G001**



**9GA0512P7A001**

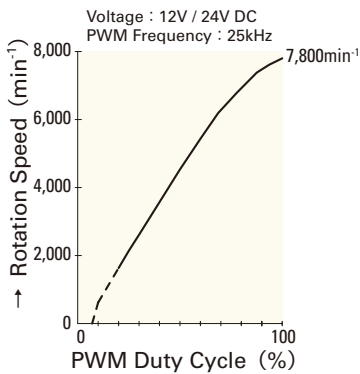
**9GA0524P7A001**



**9GA0512P7H001**

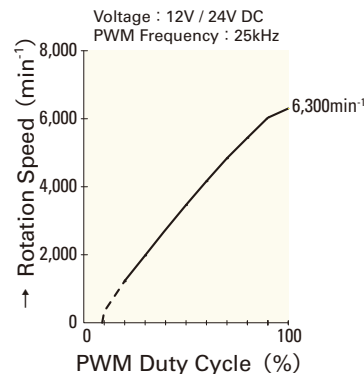
**9GA0524P7H001**

**PWM Duty - Speed Characteristics Example**



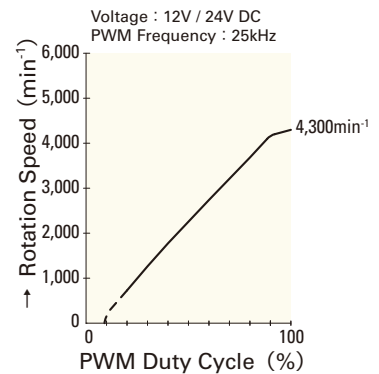
**9GA0512P7G001**

**9GA0524P7G001**



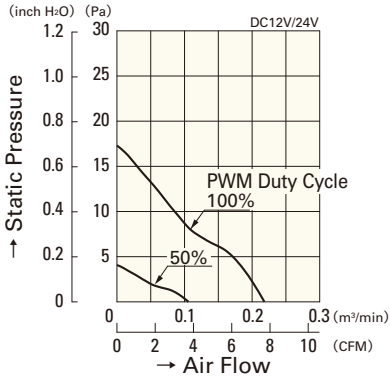
**9GA0512P7A001**

**9GA0524P7A001**



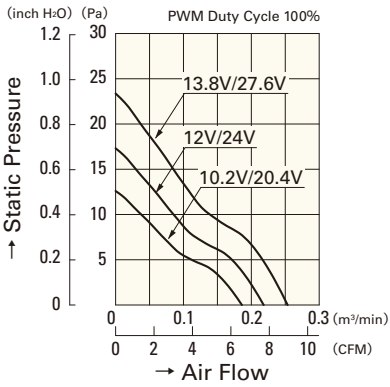
**9GA0512P7H001**

**9GA0524P7H001**



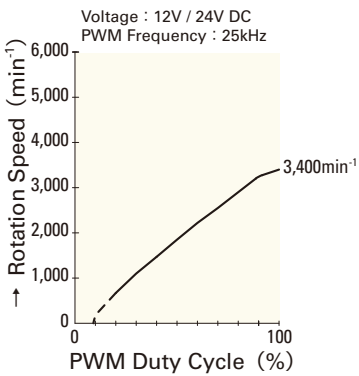
**9GA0512P7M001**

**9GA0524P7M001**



**9GA0512P7M001**

**9GA0524P7M001**



**9GA0512P7M001**

**9GA0524P7M001**