

International
IOR Rectifier

IR19CDR..L SERIES

HIGH POWER RECTIFIER DIODES

- Junction Size: **19 mm Diameter**
- V_{RRM} Class: **400 - 800 V**
- Passivation Process: **Silicone Rubber**

Major Ratings and Characteristics

Parameters	Units	Test Conditions
V_{FM} Maximum Forward Voltage	1.23 V	$T_J = 25^\circ\text{C}$, $I_F = 500\text{ A}$
V_{RRM} Reverse Breakdown Voltage Range	400 - 800 V	$T_J = 150^\circ\text{C}$, $I_{RRM} = 15\text{ mA}$

Mechanical Characteristics

Nominal Back Metal Composition	Al - Ni - Au
Nominal Front Metal Composition	Nickel plate Molybdenum disc
Chip Dimensions	19 mm diameter (see drawing)
Recommended Storage Environment	Storage in original container, in dessicated nitrogen, with no contamination

IR19CDR08L Series

Bulletin I0304J rev. A 02/03

International
IR Rectifier

Ordering Information Table

Device Code						
IR	19	C	D	R	08	L
①	②	③	④	⑤	⑥	⑦

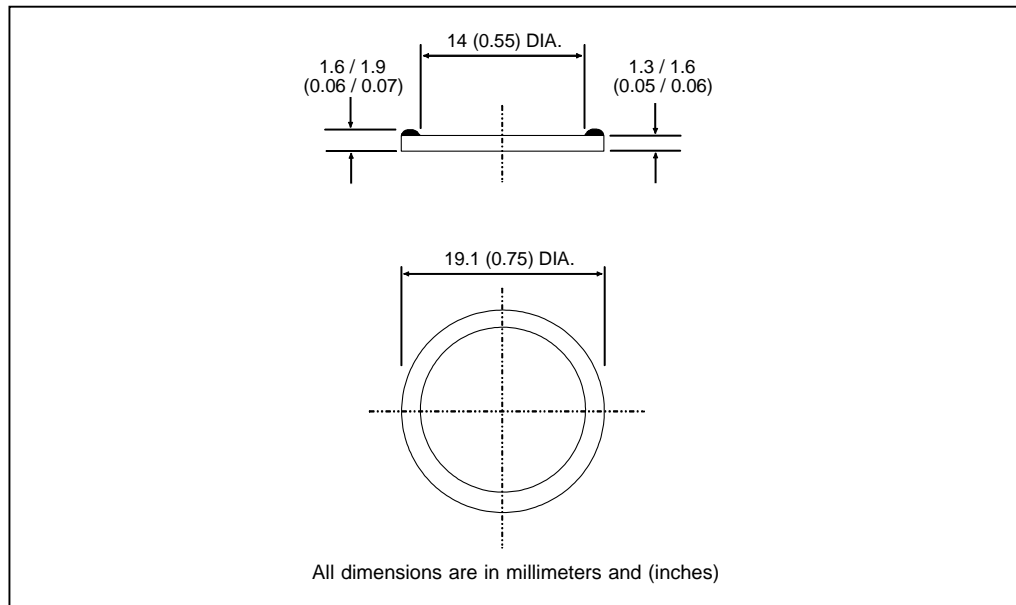
- 1** - International Rectifier device
- 2** - Chip Dimension in Millimeters
- 3** - Device identifier between chip with same diameter
- 4** - Type of Device: D = Standard Recovery Diode
- 5** - Passivation: R = Rubber for all junctions
- 6** - Voltage code: Code x 100 = V_{RRM}
- 7** - Metallization: L = Nickel plate Molybdenum disc (Anode)
Al - Ni - Au (Cathode)

Available Class

04 = 400 V

08 = 800 V

Outline Table





Notice

The products described herein were acquired by Vishay Intertechnology, Inc., as part of its acquisition of International Rectifier's Power Control Systems (PCS) business, which closed in April 2007. Specifications of the products displayed herein are pending review by Vishay and are subject to the terms and conditions shown below.

Specifications of the products displayed herein are subject to change without notice. Vishay Intertechnology, Inc., or anyone on its behalf, assumes no responsibility or liability for any errors or inaccuracies.

Information contained herein is intended to provide a product description only. No license, express or implied, by estoppel or otherwise, to any intellectual property rights is granted by this document. Except as provided in Vishay's terms and conditions of sale for such products, Vishay assumes no liability whatsoever, and disclaims any express or implied warranty, relating to sale and/or use of Vishay products including liability or warranties relating to fitness for a particular purpose, merchantability, or infringement of any patent, copyright, or other intellectual property right.

The products shown herein are not designed for use in medical, life-saving, or life-sustaining applications. Customers using or selling these products for use in such applications do so at their own risk and agree to fully indemnify Vishay for any damages resulting from such improper use or sale.

International Rectifier®, IR®, the IR logo, HEXFET®, HEXSense®, HEXDIP®, DOL®, INTERO®, and POWIRTRAIN® are registered trademarks of International Rectifier Corporation in the U.S. and other countries. All other product names noted herein may be trademarks of their respective owners.