

TOLERANCE GENERALE: ± 0.3
 GENERAL TOLERANCE: ± .01



SPECIFICATIONS

• CONSTRUCTION

Sealed pushbutton switch .

• MATERIALS

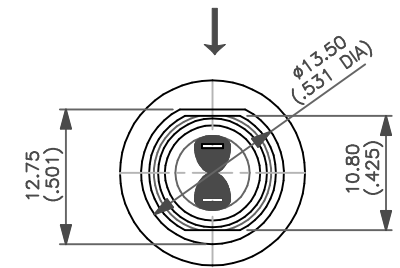
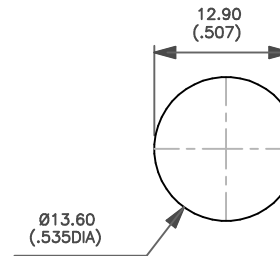
Case : Pa-6T UL94-V0
 Plunger : Polyamide 6/6
 Bushing/Collar : Polyamide 6/6
 Sealing membrane : Silicone elastomer
 Contacts : Silver, gold plated
 Terminal seal : Epoxy

• ELECTRICAL CHARACTERISTICS

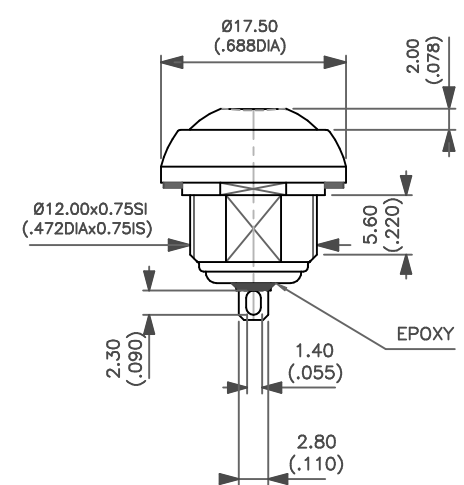
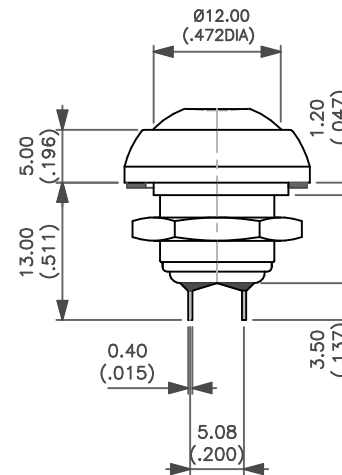
Electrical function : Normally open (NO)
 Maximum ratings : 400mA 32VAC - 100mA 50VDC - 125mA 125VAC
 Electrical life : 500 000 cycles
 Contact resistance : 50 milliohms Max
 Insulation resistance: 1 Gigaohms min - 500 VDC
 Dielectric strength : 1000 VAC rms 50Hz

• MECHANICAL AND ENVIRONMENTAL CHARACTERISTICS

Degree of protection : IP67
 Shock resistance : 100 g per IEC 512-4, test 6c
 Vibrations : 10-500Hz/10g per IEC 512-4, test 6d
 Salt spray : IEC 512-6, test 11f
 Temperature range : -40°C to +85°C
 Humidity : 56 days per IEC 512-6 test 11c
 Total travel : 1.5mm (.059)
 Operating force : 3 ±1N
 Mechanical life : 1.000.000 cycles
 Torque : 1.5nM Max. applied to nut
 Soldering : 320°C max. 3s



DECOUPE DU PANNEAU
 PANEL CUT-OUT



Epaisseur de panneau : 3.50 (.137) Max.
 Panel thickness: 3.50 (.137) Max.

Replace the blank digit with the following color code

Code	1	2	3	4	5	6	7/1	8	9
Plunger Colour	Blue	Black	Green	Grey	Yellow	Red	White	Bright Chrome	Orange

MATERIAL: /		 APEM Unité INTERRUPTEURS 55, av. E. HERRIOT BP 1 82303 CAUSSADE CEDEX Tél. 05.63.93.14.98 - Télécopie 05.63.93.19.03	DRAWN: Moreau.C	
TREATMENT: /			DATE : 15.06.1999	
FINISH: /			CHECKED: D.Sire	
Scale: 2			Reference: DIP024S	
C	Ajout Sealing membrane	17.12.01	Ricard	Code Nbr. /
B	Ajout caractéristique : humidité	4.05.2000	Moreau	
A	Ajout tableau des couleurs	23.12.1999	Ricard	
Issue	Modifications	Date	Name	

ISR3SAD_00