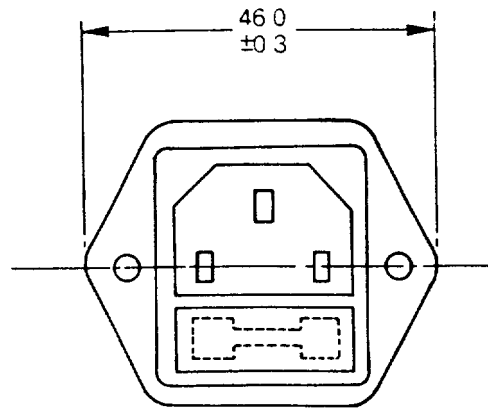
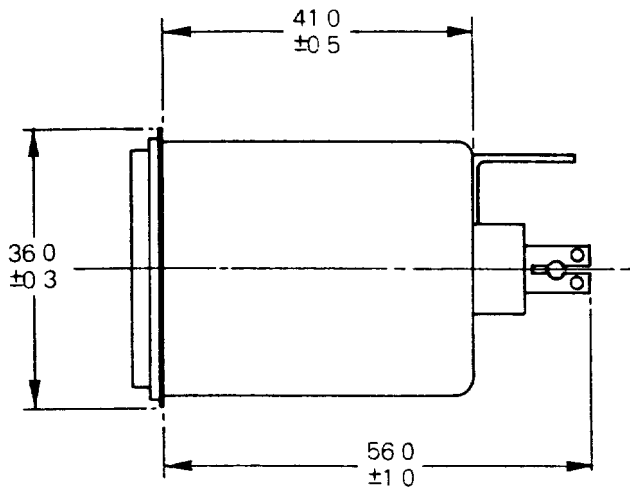


MAINS INPUT FILTERS WF190 SERIES WITH INTEGRAL FUSE HOLDER

Outline Drawings, Dimensions and Fuse Recommendations



Other Terminations

See page 9 for data

Fuse Recommendations

Size 5mm x 20mm

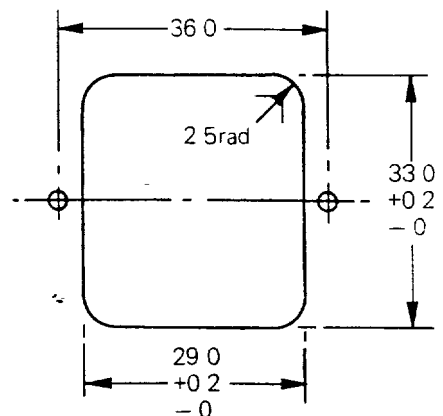
Ratings

- WF190-2,
2A (or less) time lag (T) or quick acting (F)
- WF190-6,
6A (or less) time lag (T) or quick acting (F)

Fuses should be ordered separately

All dimensions in mm.

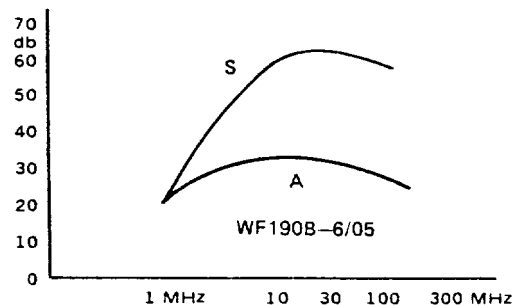
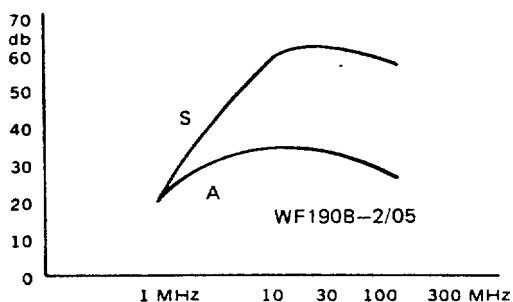
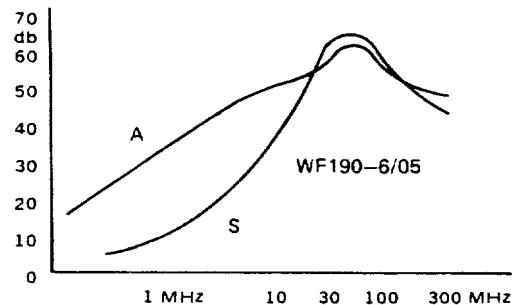
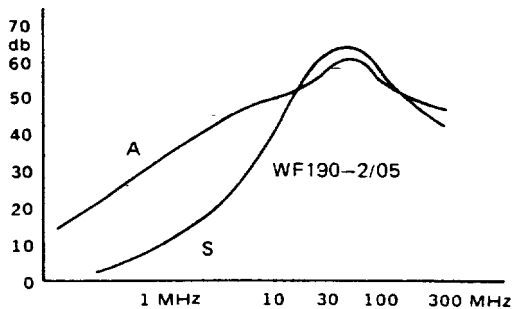
Panel Cut-Out



Characteristic Performance Curves

attenuation (dB) VS frequency (MHz)

A = Asymmetric mode S = Symmetric mode





Description

The WF190 Series is a development of the WF110 and WF120 mains input filters and incorporates a fuse in the power inlet. This space saving arrangement features a non-withdrawable fuse holder for added safety. It is not possible to remove the fuseholder and connect a mains supply to the filter giving an exposed live fuse contact.

For applications where high energy symmetrical transients are present a surge protection version is offered (see page 7 for surge protection data), and for medical/dental low leakage needs the B version with no Y capacitors should be specified (see page 8)

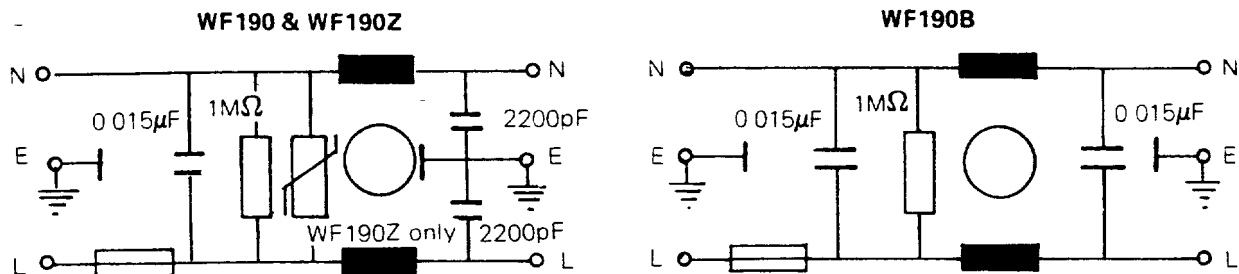
Electrical Data and Ratings

Type Reference*	Rated Voltage V	Rated Current (A r.m.s.)	Leakage Current (μ A.max)	Operating Temp. Range	Test Voltage	Terminations**	
						Input	Output
WF190-2/05	250Va.c. 50/60Hz	2	500	-25°C to 85°C	2.0kV 50Hz 1 min Line to Earth	IEC 320 (CEE 22) Power Inlet	6.3 x 0.8mm Universal**
WF190B-2/05		2	5				
WF190Z-2/05		2	500				
WF190-6/05		6	500				
WF190B-6/05		6	5				
WF190Z-6/05		6	500				

*V D E approved, U.L. & C.S.A. applied for.

** Alternative terminations available, see ordering information below

Outline Drawings and Dimensions & Fuse Recommendations



Ordering Information:

WF190

Filter Type

Z

Blank-Standard Series
B - Medical Equipment
Z - Surge Protection

6/

6 amp

05

Two Digits Specify
Terminations

01 = Solder Tag

04 = 4.75 x 0.5mm Push-on

05 = 6.3 x 0.8mm Universal

07 = Flying Leads