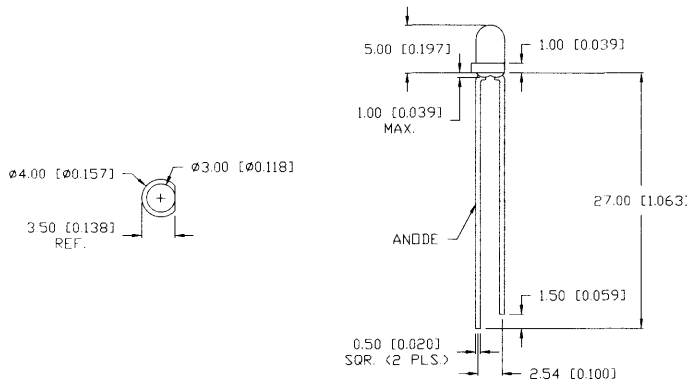


SSL-LX30S54 Series

T-3mm, 5mm Lens



FEATURES / OPTIONS

- State-of-the-Art, High Brightness Chip Technology
- Choice of Colors and Lens Finishes
- Lead Frame / Epoxy Lens Casting Reliability
- Easy-to-Solder Leads, Tin Finish
- Available Bulk or on Tape and Reel
- Lead Trimming and Forming Available
- Custom Shapes/Easily Tooled/Low Minimum
- Blinking LED
- With Internal Resistor for 5V and 12V Operation

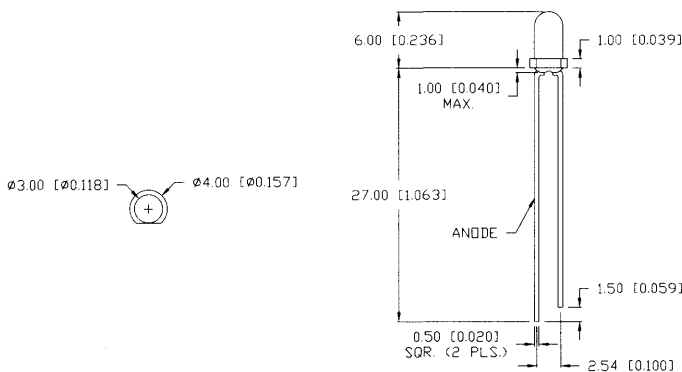
APPLICATIONS / USES

- Board or Panel Indication or Illumination
- Backlighting of Overlays and Graphics
- Annunciator and Control Panels
- Keyboards and Switches
- Telecom Switches and Central Station Equipment
- Signs, Warning Lights, Displays

Lumex Part Number	Dice Material	Emitted Color	Peak (nm)	Epoxy Lens	Operating Current (mA)	Operating TYP. Vf (V)	Brightness		View Angle° 2x THETA
							TYP. mcd	@ mA	
HIGH BRIGHTNESS									
SSL-LX30S54SID	AllInGaP	Super High Intensity Red	636	Red Diffused	5-25	2.0	100	20	60
SSL-LX30S54SOD	AllInGaP	Super Orange	610	Orange Diffused	5-25	2.0	100	20	60
SSL-LX30S54SPGD	AllInGaP	Super Pure Green	562	Green Diffused	5-25	2.2	100	20	60
SSL-LX30S54SYD	AllInGaP	Super Yellow	590	Yellow Diffused	5-25	2.0	100	20	60
SSL-LX30S54USB	InGaN/SiC	Ultra Super Blue	470	Blue Diffused	5-25	3.5	100	20	60
STANDARD BRIGHTNESS									
SSL-LX30S54GD	GaP	Green	565	Green Diffused	5-25	2.1	20	20	60
SSL-LX30S54HD	GaP	High Efficiency Red	695	Red Diffused	5-25	2.0	10	20	60
SSL-LX30S54ID	GaAsP	High Intensity Red	635	Red Diffused	5-25	2.0	20	20	60
SSL-LX30S54SRD	GaAlAs	Super Red	660	Red Diffused	5-25	1.7	40	20	60
SSL-LX30S54YD	GaAsP	Yellow	585	Yellow Diffused	5-25	2.1	20	20	60

SSL-LX3055 Series

T-3mm Front Flange Flat



FEATURES / OPTIONS

- State-of-the-Art, High Brightness Chip Technology
- Choice of Colors and Lens Finishes
- Lead Frame / Epoxy Lens Casting Reliability
- Easy-to-Solder Leads, Tin Finish
- Available Bulk or on Tape and Reel
- Lead Trimming and Forming Available
- Custom Shapes/Easily Tooled/Low Minimum
- Blinking LED
- With Internal Resistor for 5V and 12V Operation

APPLICATIONS / USES

- Board or Panel Indication or Illumination
- Backlighting of Overlays and Graphics
- Annunciator and Control Panels
- Keyboards and Switches
- Telecom Switches and Central Station Equipment
- Signs, Warning Lights, Displays

Lumex Part Number	Dice Material	Emitted Color	Peak (nm)	Epoxy Lens	Operating Current (mA)	Operating TYP. Vf (V)	Brightness		View Angle° 2x THETA
							TYP. mcd	@ mA	
HIGH BRIGHTNESS									
SSL-LX3055SID	AllInGaP	Super High Intensity Red	636	Red Diffused	5-25	2.0	200	20	60
SSL-LX3055SOD	AllInGaP	Super Orange	610	Orange Diffused	5-25	2.0	200	20	60
SSL-LX3055SPGD	AllInGaP	Super Pure Green	562	Green Diffused	5-25	2.2	120	20	60
SSL-LX3055SYD	AllInGaP	Super Yellow	590	Yellow Diffused	5-25	2.0	120	20	60
SSL-LX3055USB	InGaN/SiC	Ultra Super Blue	470	Blue Diffused	5-25	3.5	120	20	60
STANDARD BRIGHTNESS									
SSL-LX3055GD	GaP	Green	565	Green Diffused	5-25	2.1	20	20	60
SSL-LX3055HD	GaP	High Efficiency Red	695	Red Diffused	5-25	2.1	6	20	60
SSL-LX3055ID	GaAsP	High Intensity Red	635	Red Diffused	5-25	2.0	50	20	60
SSL-LX3055SRD	GaAlAs	Super Red	660	Red Diffused	5-25	1.7	80	20	60
SSL-LX3055YD	GaAsP	Yellow	585	Yellow Diffused	5-25	2.1	20	20	60



1-800-278-5666 USA
+886-3-5821124 Asian Pacific



www.lumex.com
www.lumex.com.tw



1-800-944-2790 USA
+886-3-5821154 Asian Pacific