

2ch CMOS operational amplifier IC with rail-to-rail I/O
2ch 入出力レールツーレールCMOSオペアンプIC



TK62002F
(SON3024-8)



TK62012F
(SON3024-8)



TK62022F
(SON3024-8)

DESCRIPTION

The TK62002F type, the TK62012F type and the TK62022F type are CMOS 2ch operational amplifier IC with rail-to-rail input and output in a low profile SON3024-8. They are designed for portable applications with low power and space requirements. They have rail-to-rail input and output capability, allowing wide dynamic range especially in low voltage applications.

TK62002Fタイプ、TK62012Fタイプ、TK62022Fタイプは、CMOS 2ch 入出力Rail-to-Rail オペアンプICで、パッケージは低背省スペースのSON3024-8です。低電力、高密度実装を必要とする携帯機器に最適です。入力・出力電圧ともに V_{SS} から V_{DD} までの信号を扱うことが可能な入出力Rail-to-Railです。

FEATURES

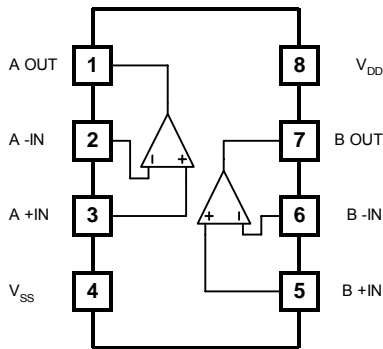
- Low profile package: SON3024-8
- Rail-to-rail Input and output
- Low supply current: 4 μ A /23 μ A /125 μ A(per amplifier)
- Gain-bandwidth product: 200kHz/1MHz/5MHz
- High source and sink current: 9mA/9mA/15m
- single supply operation: 1.8 to 5.5V/2.0 to 5.5V/2.7 to 5.5V
- 薄型パッケージ: SON3024-8
- 入出力Rail-to-Rail
- 低い電源電流: 4 μ A /23 μ A /125 μ A(1chあたり)
- 利得帯域幅: 200kHz/1MHz/5MHz
- 高い流入・流出電流: 9mA/9mA/15mA
- 単一電源動作: 1.8 to 5.5V/2.0 to 5.5V/2.7 to 5.5V

ELECTRICAL CHARACTERISTICS

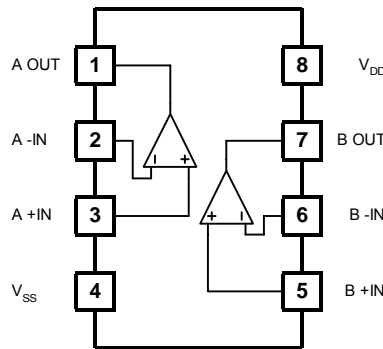
Type	Ch	Rail-to-rail	I_{DD}	I_{SI}	I_{SO}	GB	SR	V_{OP}	T_{OP}	P_D	f_{OP}
TK62002F	Single	I/O	8 μ A	9mA	9mA	0.2MHz	0.05V/ μ sec	1.8 to 5.5V (± 0.9 to ± 2.75 V)	-40 to +85°C	600mW	to 0.2MHz
TK62012F	Single	I/O	45 μ A	9mA	9mA	1MHz	0.4V/ μ sec	2.0 to 5.5V (± 1.0 to ± 2.75 V)	-40 to +85°C	600mW	to 1MHz
TK62022F	Single	I/O	250 μ A	15mA	15mA	5MHz	3.0V/ μ sec	2.7 to 5.5V (± 1.35 to ± 2.75 V)	-40 to +85°C	600mW	to 5MHz

BLOCK DIAGRAM

■ TK62002F



■ TK62012F



■ TK62022F

