

## TK62002, TK62012, TK62022

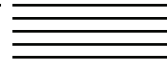
OPAMP, 2ch, Rail-to-Rail I/O  
オペアンプ、2ch、入出力レールツーレール

### Feature

- Low profile package: SON3024-8
- Rail-to-rail Input and output
- Low supply current:
  - TK62002:  $I_{DD}=4\mu\text{A}$ (per amplifier)
  - TK62012:  $I_{DD}=23\mu\text{A}$ (per amplifier)
  - TK62022:  $I_{DD}=125\mu\text{A}$ (per amplifier)
- Gain-bandwidth product:
  - TK62002: GB=200kHz
  - TK62012: GB=1MHz
  - TK62022: GB=5MHz
- High source and sink current:
  - TK62002:  $I_{SI}=9\text{mA}$ ,  $I_{SO}=9\text{mA}$
  - TK62012:  $I_{SI}=9\text{mA}$ ,  $I_{SO}=9\text{mA}$
  - TK62022:  $I_{SI}=15\text{mA}$ ,  $I_{SO}=15\text{mA}$
- Operating Voltage Range
  - TK62002:  $V_{OP}=1.8 \sim 5.5\text{V}$
  - TK62012:  $V_{OP}=2.0 \sim 5.5\text{V}$
  - TK62022:  $V_{OP}=2.7 \sim 5.5\text{V}$
- Operating Temp. Range  $T_{OP}=-40$  to  $+85^\circ\text{C}$
- 薄型パッケージ: SON3024-8
- 入出力Rail-to-Rail
- 低い電源電流:
  - TK62002:  $I_{DD}=4\mu\text{A}$ (1chあたり)
  - TK62012:  $I_{DD}=23\mu\text{A}$ (1chあたり)
  - TK62022:  $I_{DD}=125\mu\text{A}$ (1chあたり)
- 利得帯域幅:
  - TK62002: GB=200kHz
  - TK62012: GB=1MHz
  - TK62022: GB=5MHz
- 高い流入・流出電流:
  - TK62002:  $I_{SI}=9\text{mA}$ ,  $I_{SO}=9\text{mA}$
  - TK62012:  $I_{SI}=9\text{mA}$ ,  $I_{SO}=9\text{mA}$
  - TK62022:  $I_{SI}=15\text{mA}$ ,  $I_{SO}=15\text{mA}$
- 動作電圧範囲
  - TK62002:  $V_{OP}=1.8 \sim 5.5\text{V}$
  - TK62012:  $V_{OP}=2.0 \sim 5.5\text{V}$
  - TK62022:  $V_{OP}=2.7 \sim 5.5\text{V}$
- 動作温度範囲  $T_{OP}=-40 \sim +85^\circ\text{C}$

### Electrical Characteristics

Part Name	Ch	$I_{DD}$	$I_{SI}$	$I_{SO}$	$G_B$	$S_R$	Package	Rail-to-Rail
TK62002	2ch	$8\mu\text{A}$	9mA	9mA	0.2 MHz	0.05 V/ $\mu\text{sec}$	SON3024-8	I/O
TK62012	2ch	$45\mu\text{A}$	9mA	9mA	1MHz	0.4 V/ $\mu\text{sec}$	SON3024-8	I/O
TK62022	2ch	$250\mu\text{A}$	15mA	15mA	5MHz	3.0 V/ $\mu\text{sec}$	SON3024-8	I/O

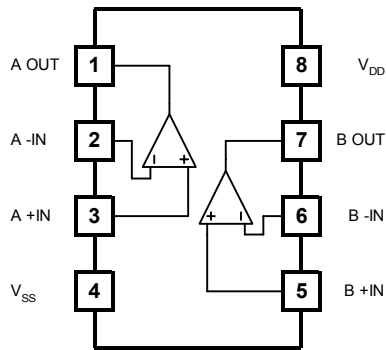


**Ordering Guide, Marking**

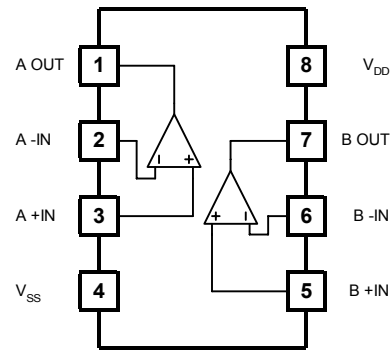
Part Name	Ordering Name	Marking	Description	Order Size
TK62002	TK62002FTL-GH		<b>TK62002:</b> Part Name F: SON3024-8 Package TL: Tape&Reel, Left -GH: PB-Free &Halogen Free	3,000 pcs./Reel
TK62012	TK62012FTL-GH		<b>TK62012:</b> Part Name F: SON3024-8 Package TL: Tape&Reel, Left -GH: PB-Free &Halogen Free	3,000 pcs./Reel
TK62022	TK62022FTL-GH		<b>TK62022:</b> Part Name F: SON3024-8 Package TL: Tape&Reel, Left -GH: PB-Free &Halogen Free	3,000 pcs./Reel

**Pin Layout, Block Diagram**

■ TK62002



■ TK62012



■ TK62022

