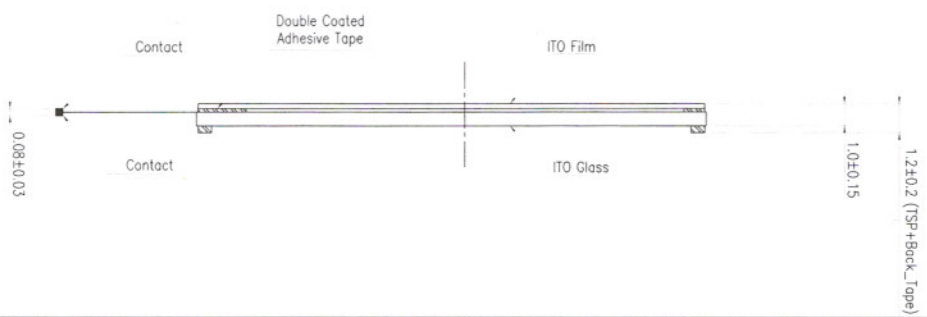
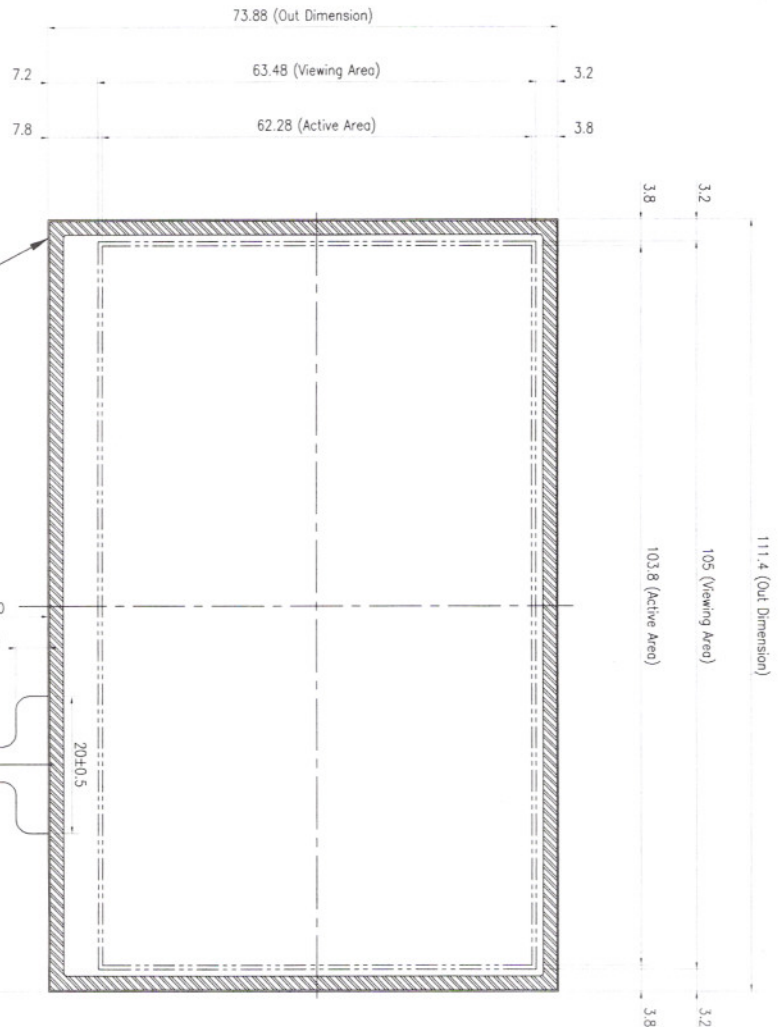
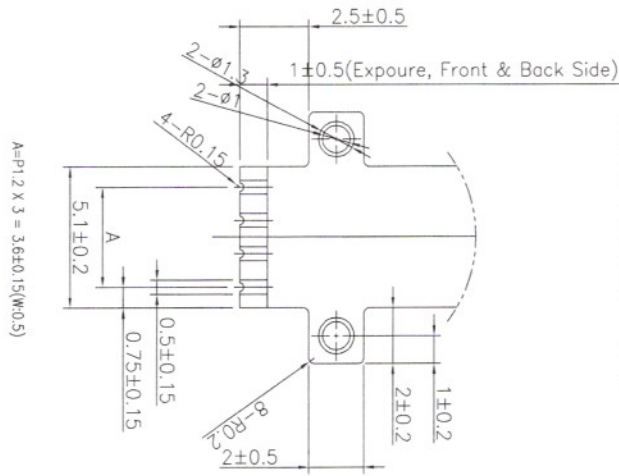


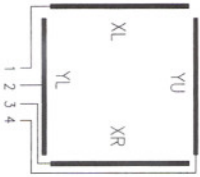
# REMARK

1. Film Type : Clear Type
2. Glass THK : 0.7 mm
3. Total THK :  $1.0 \pm 0.15$  (TSP) &  $1.2 \pm 0.2$  (TSP+Back\_Tape)
4. Linearity :  $\pm 1.5\%$  or less
5. Transmittance : 83%(Typical)
6. Resistance :  $100 < \text{Film(TOP)} < 800\Omega\text{hm}$   
 $400 < \text{Glass(BOT)} < 1100\Omega\text{hm}$
7. Connector : FPC

Detail AA (Scale=4/1)



## Circuit Diagram



## Signal Assignment

Pin No.	Signal
1	XL
2	YL
3	XR
4	YU

Pin No.  
1 → 4

REV.	DATE	REVISION DESCRIPTIONS

DESIGN	Y.M. CHO	DRAW. NO.	A048-2B-00
CHECK	N.K. YOON	MODEL	A048-2B N715020
APPRO	H.S. KIM	DATE	2007.09.18
DWG	SIZE	STD. TOL.	SCALE
MM	A4	±0.3	1 : 1