

DIAMOND

Fiber Optic Components

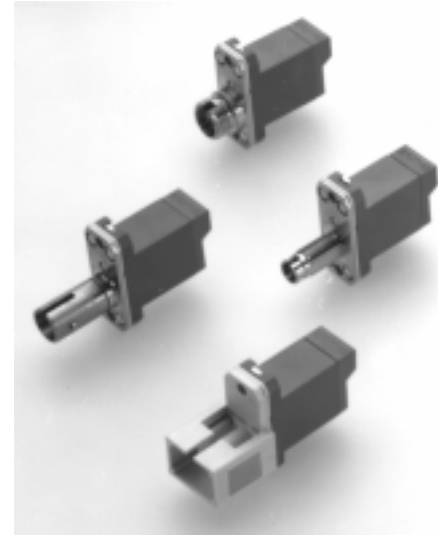
E-2000™ HYBRID
MATING ADAPTER
SINGLE MODE
MULTIMODE
SINGLE MODE APC

Specifications:

	Single Mode	Multimode	Single Mode 8°HRL	Units	Test conditions
Insertion Loss (IL)	typ 0,2	typ 0,15	typ 0,2	dB	IEC 1300-3-4; $\lambda = 1300/1550\text{nm}$
Return Loss (RL)	min 50	min 40	min 70*	dB	IEC 1300-3-6; $\lambda = 1300/1550\text{nm}$
Repeat ability of IL	max $\pm 0,1$	max $\pm 0,1$	max $\pm 0,1$	dB	
Service life	min. 1000 Steckungen				
Operating temperature	-40 / +85			°C	
Storage temperature	-40 / +90			°C	

* Measured with high precision reflectometer

Note: Optical and mechanical specifications are based on the use of the connector of corresponding standard; the above table reflects typical values.

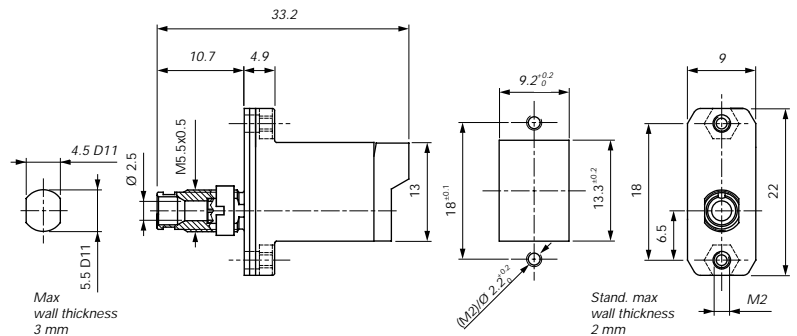


DESCRIPTION:

In-line adapter are used to directly mate different connectors. Their optical performance and compact size make is a logical and cost-effective alternative to hybrid patch assemblies.

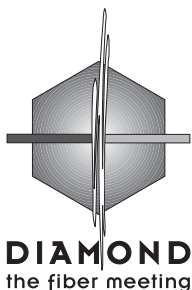
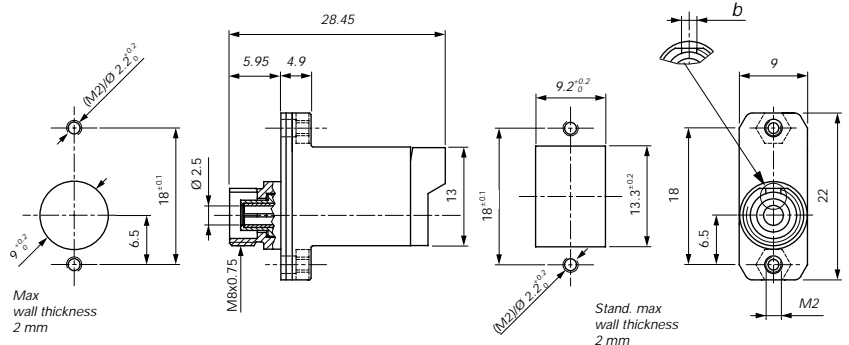
HYB-S*.2 LSA-LSG/LSH

Mating sleeve: Zirconia
External parts: Plastic/
Ni-plated Zamak



HYB-S*.2 LSH/FC-PC

Mating sleeve: Zirconia
External parts: Plastic /
Ni-plated Zamak
Dimension b: 2 or 2.15



DIAMOND SA
CH-6616 LOSONE
Via dei Patrizi 5
Tel. ++41-91/785 45 45
Fax ++41-91/785 45 00
e-mail: diamond@diamond-fo.com

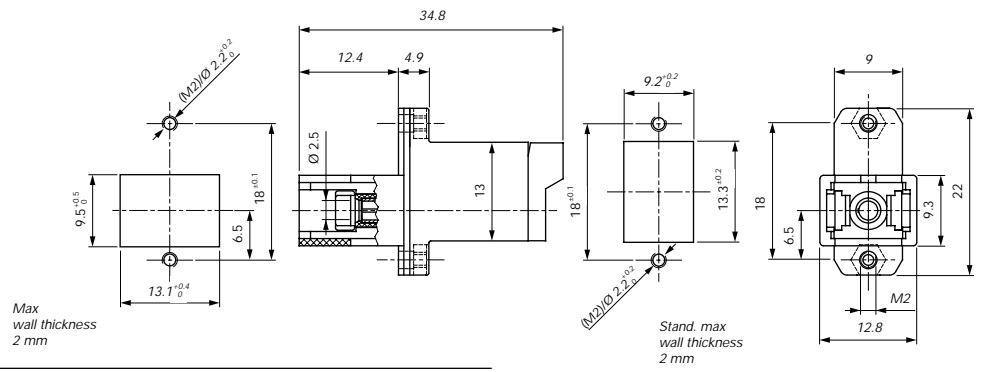
Specifications subject to change without notice

002-037-208P007030

HYB-S*.2 LSH/SC

Mating sleeve:
External parts:

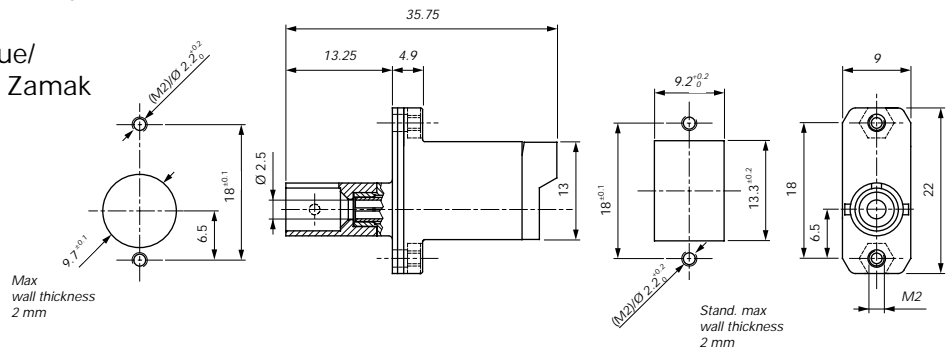
Zirconia
Plastic



HYB-S0.2 LSH/ST (only with blue body)

Mating sleeve:
External parts:

Zirconia
Plastic blue/
Ni-plated Zamak



Order numbers:

COLOR CODING

Type designation	Order Number
HYB-S*.2 LSG/LSH	1 0 4 - 3 1 1 - 9 0 1 V 0 0 C
HYB-S*.2 LSH/FC-PC b=2.15	1 6 5 - 3 1 1 - 9 0 2 V 0 0 C
HYB-S*.2 LSH/FC-PC b=2	1 6 5 - 3 1 1 - 9 0 7 V 0 0 C
HYB-S*.2 LSH/SC	1 6 5 - 3 1 1 - 9 0 3 V 0 0 C
HYB-S0.2 LSH/ST	1 6 5 - 3 1 1 - 9 0 4 V 0 0 C

	Frame color							
Body: blue	blue	green	black	red	orange	yellow	white	violet
Order Number	011	012	013	014	015	016	017	018
Body: green	blue	green	black	red	orange	yellow	white	violet
Order Number	021	022	023	024	025	026	027	028

Body: blue	1
Body: green	2

MECHANICAL KEYING

HYB-S*.2 LSG/LSH	1 0 4 - 3 1 1 - 9 1 0 V	01
HYB-S*.2 LSH/FC-PC b=2.15	1 6 5 - 3 1 1 - 9 1 0 V	01
HYB-S*.2 LSH/FC-PC b=2	1 6 5 - 3 1 1 - 9 2 0 V	01
HYB-S*.2 LSH/SC	1 6 5 - 3 1 1 - 9 3 0 V	01
HYB-S0.2 LSH/ST	1 6 5 - 3 1 1 - 9 4 0 V	11

Mechanical keying No.	1 (red)	2 (brown)	3 (yellow)	4 (orange)	5 (violet)	6 (white)
Order Number	1	2	3	4	5	6

* Product designation:

Insert 0 for PC application 8 for APC application