

Varistor Type MYG

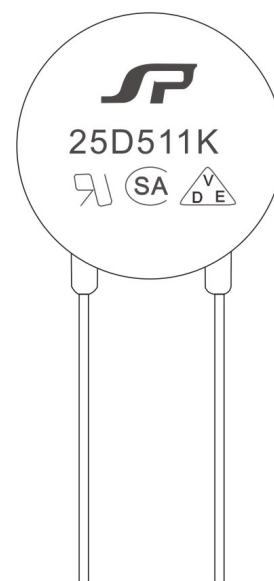
Type MYG Varistors are made of semiconductor ceramic materials composed mainly of zinc oxide. They have non-linear resistance that changes as a function of applied voltage. It has small size, high current capacity, and high protection level.

Features

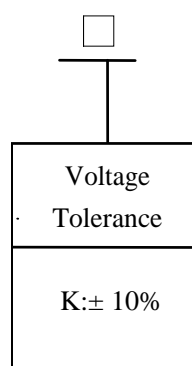
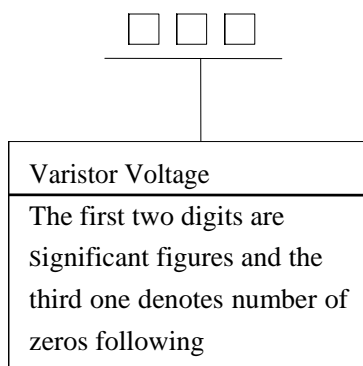
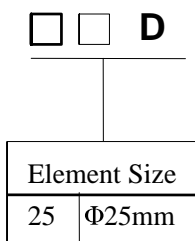
- > Wide Varistor voltage range (200V~1600V)
- > Excellent non-linearity and protection level
- > Large withstanding surge current
- > Fast response ($\leq 20\text{ns}$)

Recommended Applications

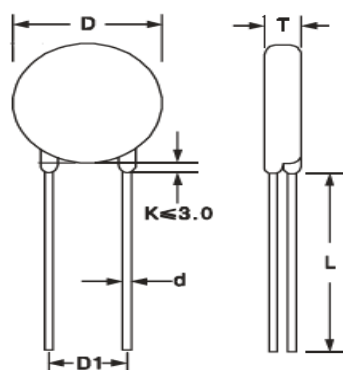
- > Protection of semiconductors
- > Surge protection of consumer equipment
- > Surge protection of communication, measuring or controller instrument
- > Relay or electromagnetic Valve surge absorption



Explanation of Part Numbers



Dimension



Range of voltage (V)	Dimensions(mm)				
	D max	T max	L min	d±0.1	D1± 1.0
200 - 1600	31.0	14.0	25	1.0	10.0~13.0

Specification and Electrical Characteristics

part Number	Maximum Allowable Voltage		Varistor Voltage	Maximum Clamping Voltage		Withstanding Surge Current	Maximum Energy (10/100 μ S)	Typical Capacitance(Reference)
	V _{AC} (V)	V _{DC} (V)	V _{1mA} (V)	I _P (A)	V _C (V)	I(A)	(J)	1KHz(pf)
25D162K	1000	1280	1600(1440-1760)	150	2640	15000	970	450
25D142K	880	1140	1400(1260-1540)	150	2310	15000	850	500
25D122K	750	990	1200(1350-1650)	150	1980	15000	770	550
25D112K	680	895	1100(990-1210)	150	1815	15000	770	600
25D102K	625	825	1000(900-1100)	150	1650	15000	685	650
25D911K	550	745	910(819-1001)	150	1500	15000	620	700
25D821K	510	670	820(738-902)	150	1355	15000	570	800
25D781K	485	640	780(702-858)	150	1290	15000	530	850
25D751K	460	615	750(675-825)	150	1240	15000	510	850
25D681K	420	560	680(612-748)	150	1120	15000	450	950
25D621K	385	505	620(558-682)	150	1025	15000	460	1050
25D561K	350	460	560(504-616)	150	925	15000	440	1150
25D511K	320	415	510(459-561)	150	845	15000	420	1250
25D471K	300	385	470(423-517)	150	775	15000	400	1400
25D431K	275	350	430(387-473)	150	710	15000	380	1500
25D391K	250	320	390(351-429)	150	650	15000	360	1600
25D361K	230	300	360(324-396)	150	595	15000	330	1750
25D331K	210	275	330(297-363)	150	550	15000	300	1900
25D301K	190	250	300(270-330)	150	500	15000	275	2100
25D271K	175	225	270(243-297)	150	455	15000	255	2400
25D241K	150	200	240(216-264)	150	395	15000	220	2650
25D221K	140	180	220(198-242)	150	360	15000	200	2900
25D201K	130	170	200(180-220)	150	340	15000	190	3200

Note: 1、Varistor voltage is measured at 0.1 mA for 05D, and at 1 mA for 07D, 10D, 14D, 20D,25D respectively.

2、Operating Temperature Range: $-40^{\circ}\text{C} \sim +85^{\circ}\text{C}$

Storage Temperature Range: $-40^{\circ}\text{C} \sim +125^{\circ}\text{C}$