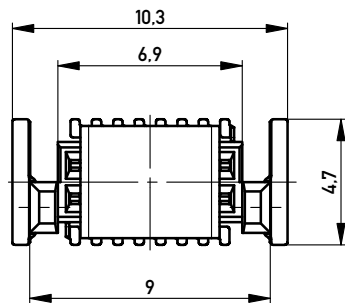
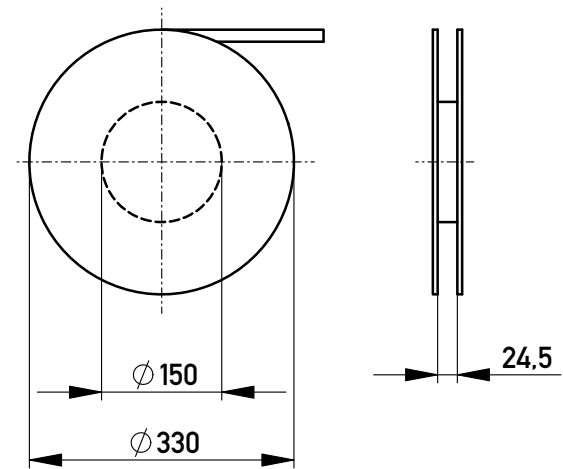
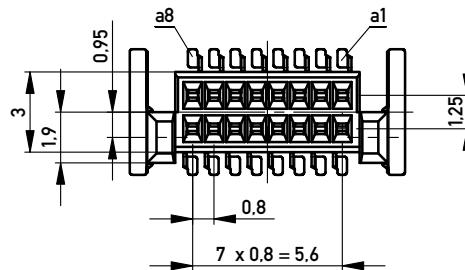


Verpackt in Gurtverpackung - *Tape on Reel Packaging*
 Verpackungseinheit: 840 Stück - *Packaging unit: 840 pcs*

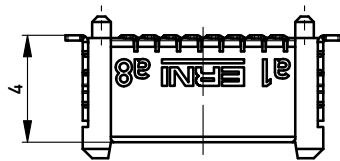


ohne Ansaughaube - *without hood*



Abspulrichtung - *Reel off Direction* →

ohne Ansaughaube - *without hood*

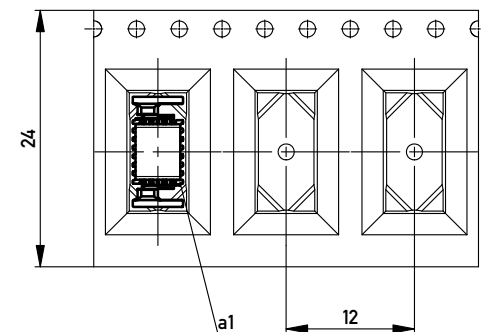


Anforderungsstufe 2
Performance Level 2

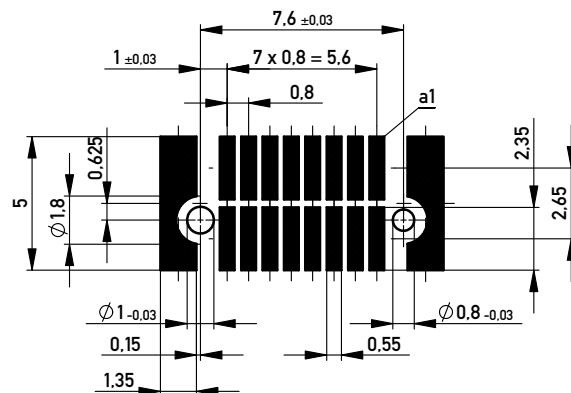
Kontaktbereich vergoldet
Mating Area gold plating

Anschlussbereich verzinkt 4-6 µm
Terminal Area 4-6 µm tin plating

Koplanarität der Anschlüsse ≤ 0,1 mm
Coplanarity Area of Termination ≤ 0,1 mm



Leiterplatten-Layout Vorschlag für SMT
PCB-Layout Proposal for SMT



Copyright by ERNI GmbH
 Proprietary notice pursuant to ISO 9006 to be observed.

Information:		Tolerances		Scale	5:1
All rights reserved. Only for Information. To ensure that this is the latest version of this drawing, please contact one of the ERNI companies before using.		All Dimensions in mm		Designation	
Subject to modification without prior notice. Drawing will not be updated.				0,8 DRC-B, F 4mm, 16 polig 0,8 DRC-B, F 4mm, 16 pin	
www.ERNI.com		294001		I A3	
Index	Date	Class		DRCB	