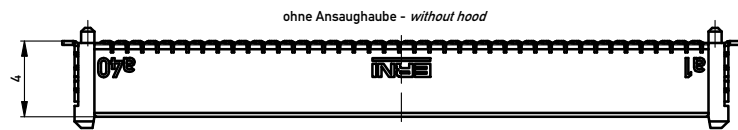
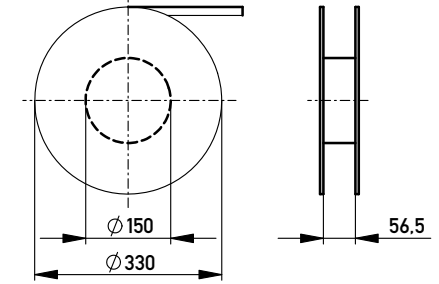
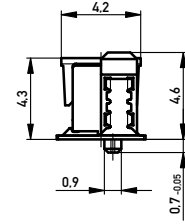
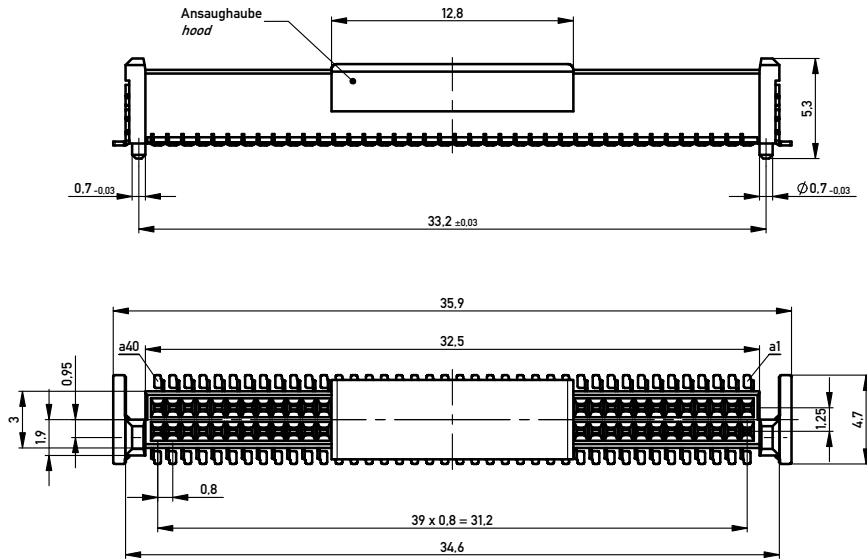
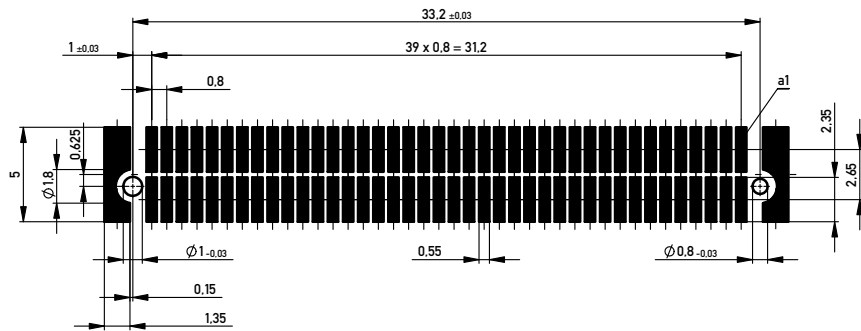


Verpackt in Gurtverpackung - *Tape on Reel Packaging*  
 Verpackungseinheit: 840 Stück - *Packaging unit: 840 pcs*



Leiterplatten-Layout Vorschlag für SMT  
*PCB-Layout Proposal for SMT*



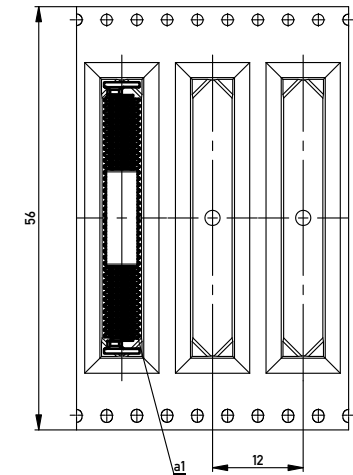
Anforderungsstufe 2  
*Performance Level 2*

Kontaktbereich vergoldet  
*Mating Area gold plating*

Anschlussbereich verzinkt 4-6 µm  
*Terminal Area 4-6 µm tin plating*

Koplanarität der Anschlüsse ≤ 0,1 mm  
*Coplanarity Area of Termination ≤ 0,1 mm*

Abspulrichtung - *Reel off Direction*



Information:	Tolerances	Scale: 5:1	
All rights reserved. Only for Information. To ensure that this is the latest version of this drawing, please contact one of the ERNI companies before using.	Subject to modification without prior notice. Drawing will not be updated.	 All Dimensions in mm	Designation
			<b>0.8 DRC-B, F 4mm, 80 polig</b> <b>0.8 DRC-B, F 4mm, 80 pin</b>
 www.ERNI.com	<b>294008</b>		I A2
Index	Date	Class	DRCB

Copyright by ERNI GmbH  
 Proprietary notice pursuant to ISO 16093 to be observed