

AT-12864L1

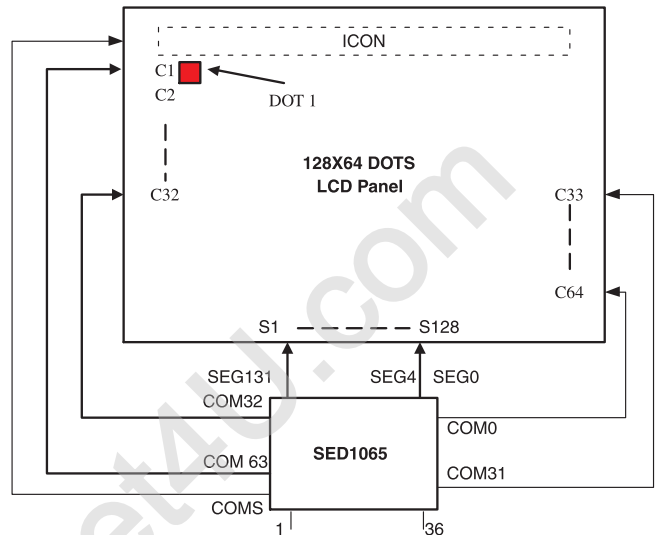
•128x64 dots with Icons 1/64 Duty

FEATURE

- 1.Construction : LCD panel and AB LC.
- 2.Driver : IC SED1065.
- 3.On-chip LCD booster.
- 4.Extended temperature type

液晶之友 电话: 020-33819057
[Http://www.lcdfriends.com](http://www.lcdfriends.com)

BLOCK DIAGRAM

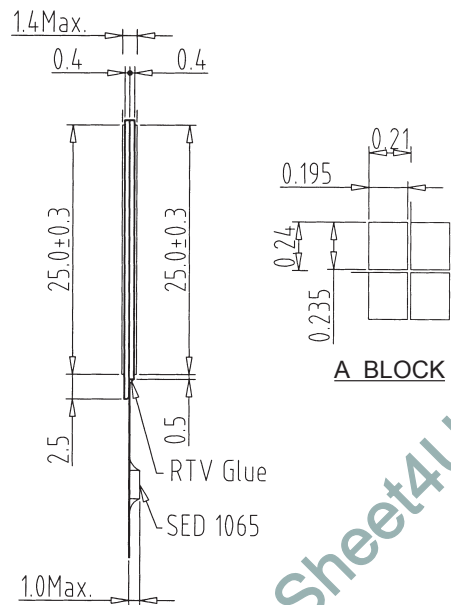
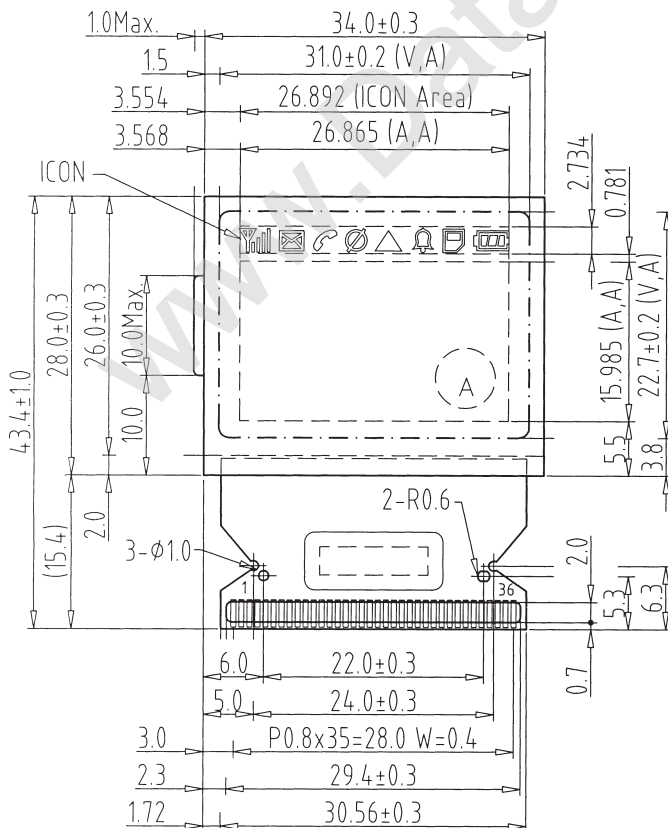


ELECTRICAL CHARACTERISTICS

Parameter	Symbol	Condition	Typ. Value	Unit.
LCD Driving Voltage	VDD-V5	25°C	10.0	V
Supply Current	IDD	VDD=3.3V	0.2	mA

INTERFACE

1	2	3	4	5	6	7	8	9	10	11
NC	CL	/CS1	/RES	A0	WR,R/W	RD,E	D0	D1	D2	D3
12	13	14	15	16	17	18	19	20	21	22
D4	D5	D6	D7	VDD	VSS	VOUT	CAP3-CAP1+	CAP1-CAP2-		
23	24	25	26	27	28	29	30	31	32	33
CAP2+VRS	V1	V2	V3	V4	V5	VR	CLS	C86	P/S	
34	35	36								
HPM	IRS	NC								



www.DataSheet4U.com