

SPECIFICATIONS

Mechanical

Contact Normal Force: 75g min.
Durability: 100 Cycles
Contact Retention Force: 0.45kg min.

Electrical

Current Rating: 1.0A, 30 Rise above Ambient
Contact Resistance: 30mW max. initial, 40mW max. after Test
Dielectric Withstand Voltage: 500V min. at Sea Level
Pin to Pin Insulation Resistance: 1000MW min.

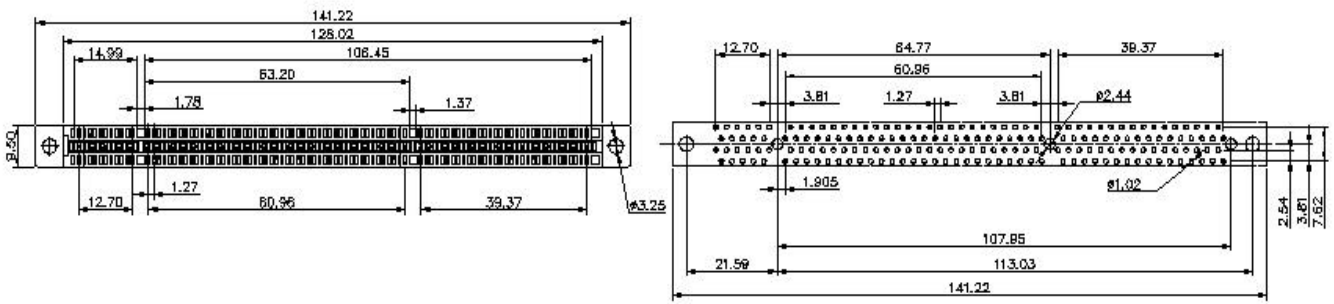
Physical

Housing: Thermoplastic, UL 94V-0 rated in White Color
Contact: Copper alloy
Plating: See "ORDERING INFORMATION"
Storage Temperature Range: -40 to +105

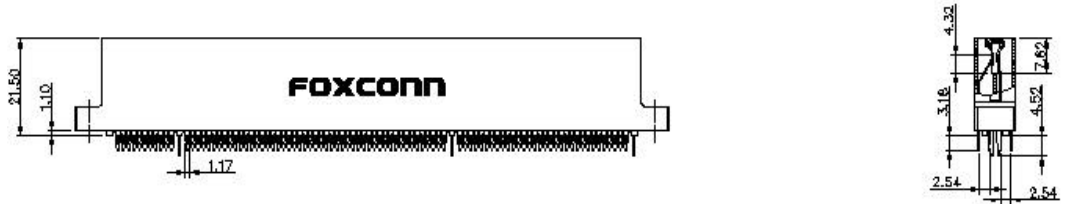
EH Series
Press fit, T/H Type, 64 Bit
3.3V
1.27mm [.050"] Pitch
184 Pos.



DRAWING



RECOMMENDED PCB LAYOUT



ORDERING INFORMATION

