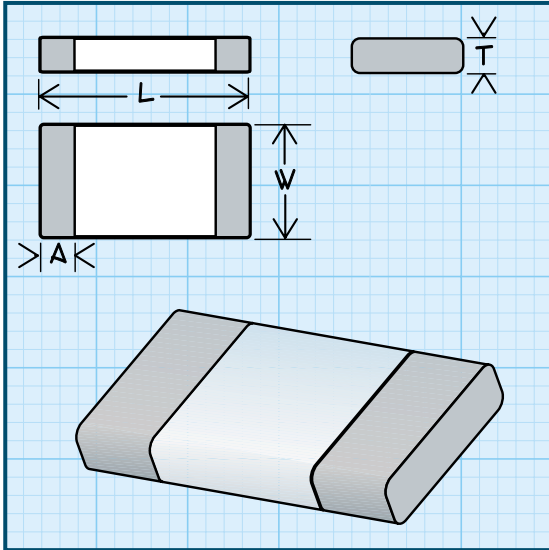


Series

EMI0603R, EMI0805R, EMI1206R,
EMI1210R, EMI1806R, EMI1812R



EMI0603, EMI0805, EMI1206,
EMI1210, EMI1806, EMI1812



Small size utilizing a monolithic ferrite structure which results in excellent magnetic shielding.

Operating Temperature Range -55°C to +125°C

Terminations Suitable for flow & reflow soldering application.

Current Rating The current at which the Impedance will change by a maximum of ±25%.

Note † Test Frequency for EMI1206-1500 = 50 MHz

*** Test Frequency for EMI1206-2000 = 30 MHz

Additional values available -
contact factory for your application

*Complete part # must include series # PLUS the dash #

For further surface finish information, refer to
TECHNICAL section of this catalog.

DASH NUMBER*

IMPEDANCE @ 100 MHz
(OHMS) ±25%

DC RESISTANCE
(OHMS) Max

CURRENT RATING
MAXIMUM (mA)

SERIES EMI0603			
-60	60	0.10	600
-68	68	0.10	600
-80	80	0.10	400
-120	120	0.15	400
-220	220	0.30	300
-300	300	0.35	300
-450	450	0.40	300
-600	600	0.45	200
-750	750	0.60	100
-1000	1000	0.60	100

SERIES EMI0805			
-11	11	0.05	600
-40	40	0.05	600
-90	90	0.10	600
-120	120	0.15	500
-150	150	0.15	500
-220	220	0.22	500
-300	300	0.20	500
-400	400	0.30	500
-600	600	0.30	500
-1000	1000	0.35	300
-1500	1500	0.40	200
-2000	2000	0.50	200

SERIES EMI1206			
-31	31	0.05	600
-50	50	0.10	600
-70	70	0.10	600
-90	90	0.15	500
-120	120	0.15	500
-150	150	0.15	500
-200	200	0.20	500
-300	300	0.20	500
-600	600	0.30	500
-800	800	0.30	200
-1000	1000	0.40	200
-1200	1200	0.40	200
-1500†	1500	0.50	200
-2000***	2000	0.50	200

SERIES EMI1210			
-60	60	0.30	400

SERIES EMI1806			
-80	80	0.10	400
-105	100	0.20	300
-150	150	0.30	200

SERIES EMI1812			
-125	120	0.40	200

www.DataSheet4U.com SUPPRESSORS

Physical Parameters and Packaging

	EMI0603	EMI0805	EMI1206	EMI1210	EMI1806	EMI1812
Dimensions						
L - inches	0.063±0.006	0.079±0.008	0.126±0.008	0.126±0.008	0.177±0.010	0.177±0.010
(mm)	(1.6±0.15)	(2.0±0.2)	(3.2±0.2)	(3.2±0.2)	(4.5±0.25)	(4.5±0.25)
W - inches	0.031±0.006	0.049±0.008	0.063±0.008	0.098±0.008	0.063±0.008	0.126±0.010
(mm)	(0.8±0.15)	(1.25±0.2)	(1.6±0.2)	(2.5±0.2)	(1.6±0.2)	(3.2±0.25)
T - inches	0.031±0.006	0.035±0.008	0.043±0.008	0.051±0.008	0.063±0.008	0.059±0.010
(mm)	(0.8±0.15)	(0.9±0.2)	(1.1±0.2)	(1.3±0.2)	(1.6±0.2)	(1.5±0.25)
A - inches	0.012±0.008	0.020±0.012	0.020±0.012	0.020±0.012	0.022±0.016	0.022±0.016
(mm)	(0.3±0.20)	(0.50±0.300)	(0.50±0.300)	(0.50±0.300)	(0.60±0.400)	(0.60±0.400)
Packaging Tape & reel (12mm); max. pieces per reel as follows						
	4000	4000	3000	2000	2000	1000