



## FILTER2D-A3-SK ANTI-INTERFERENCE FILTER

Patent Protection RoHS

### FEATURES

- Small Footprint
- Low Temperature Rise

### APPLICATIONS

FILTER2D-A3-SK applies to analog circuits which are noise-sensitive or EMC-sensitive occasions. If added a FILTER2D-A3-SK to the module's input, the module's output noise can be reduced substantially and EMC level can be improved.

### MORNSUN Science & Technology Co.,Ltd.

Address: No. 5, Kehui St. 1, Kehui development center,  
Science Ave., Guangzhou Science City, Luogang  
district, Guangzhou, P.R.China.

Tel: 86-20-28203030

Fax: 86-20-38601272

[Http://www.mornsun-power.com](http://www.mornsun-power.com)

### SELECTION GUIDE

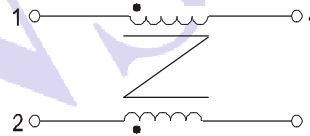
Model	Inductance value (μH)	Rated current (A)(max)	DCR(mΩ)	Weight (g)
FILTER2D-A3-SK	693*2	3	40	4.5

### COMMON SPECIFICATIONS

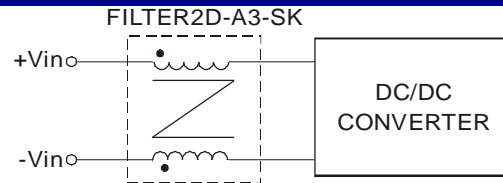
Item	Operating Conditions	Min.	Typ.	Max.	Unit
Inductance Error Range	fo=10KHz, Uo=0.1V	-30		+30	%
Pressure Resistance Value	Leakage Current Io=5mA			2000	VDC
Storage Humidity				95	%
Operating Temperature		-40		105	°C
Storage Temperature		-55		125	
Soldering Temperature Resistance Of PIN	Solder joints from case 1.5mm for 10 seconds			300	
Dimension (L*W*H)		16.0*9.0*20.0			mm

Note: All specifications measured at TA=25°C, humidity<75% unless otherwise specified.

### INTERNAL SCHEMATIC



### APPLICATION CIRCUIT



### ATTENUATION SPECIFICATIONS(REFERENCE VALUE)

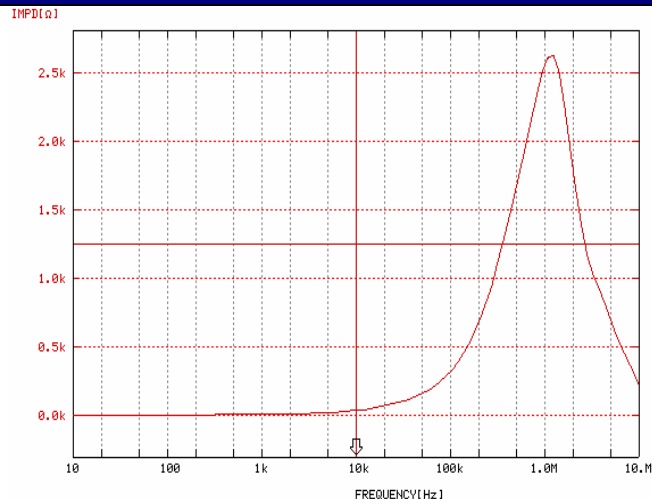
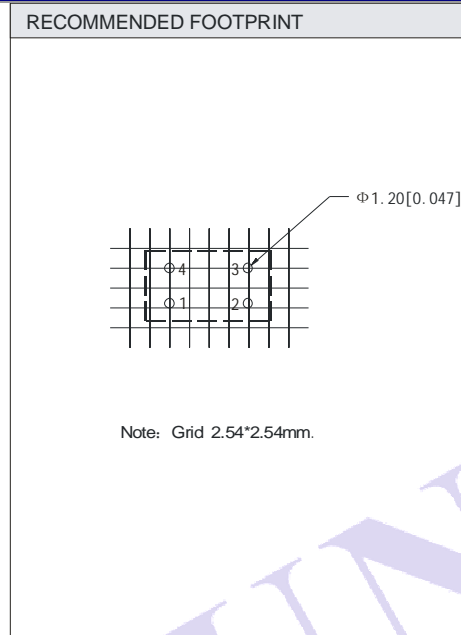
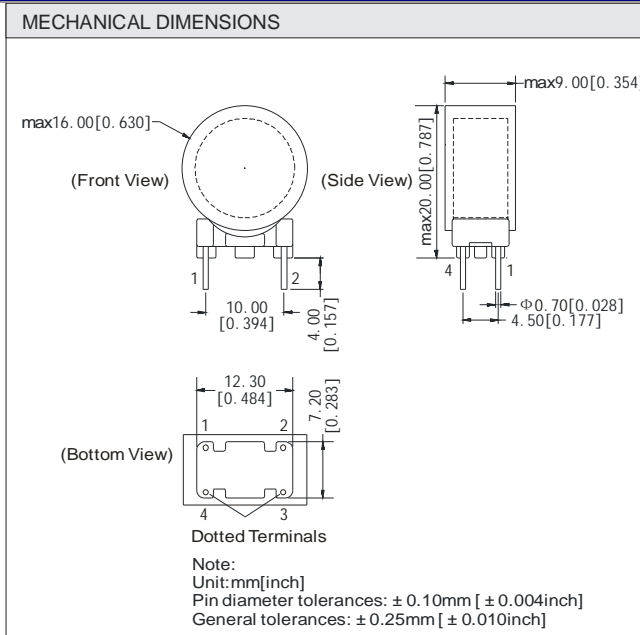


Figure 1 Impedance VS Frequency

# OUTLINE DIMENSIONS



MORNSUN