



FILTER2D-B3-SK ANTI-INTERFERENCE FILTER

Patent Protection RoHS

FEATURES

- Small Footprint
- Low Temperature Rise

APPLICATIONS

FILTER2D-B3-SK applies to analog circuits which are noise-sensitive or EMC-sensitive occasions. If added a FILTER2D-B3-SK to the module's input, the module's output noise can be reduced substantially and EMC level can be improved.

MORNSUN Science & Technology Co.,Ltd.

Address: No. 5, Kehui St. 1, Kehui development center, Science Ave., Guangzhou Science City, Luogang district, Guangzhou, P.R.China.

Tel: 86-20-28203030

Fax: 86-20-38601272

[Http://www.mornsun-power.com](http://www.mornsun-power.com)

SELECTION GUIDE

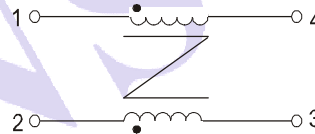
Model	Inductance value (μH)	Rated current (A)(max)	DCR(m Ω)	Weight (g)
FILTER2D-B3-SK	650*2	3	40	3.3

COMMON SPECIFICATIONS

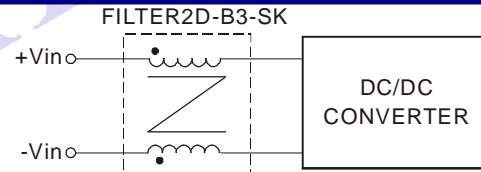
Item	Operating Conditions	Min.	Typ.	Max.	Unit
Inductance ErrorRange	fo=10KHz, Uo=0.1V	-35		+35	%
Pressure Resistance Value	Leakage Current Io=5mA			2000	VDC
Storage Humidity				95	%
Operating Temperature		-40		105	°C
Storage Temperature		-55		125	
Soldering Temperature Resistance Of PIN	Solder joints from case 1.5mm for 10 seconds			300	
Dimension (L*W*H)		15.0*7.2*20.0			mm

Note: All specifications measured at TA=25°C, humidity<75% unless otherwise specified.

INTERNAL SCHEMATIC



APPLICATION CIRCUIT



ATTENUATION SPECIFICATIONS(REFERENCE VALUE)

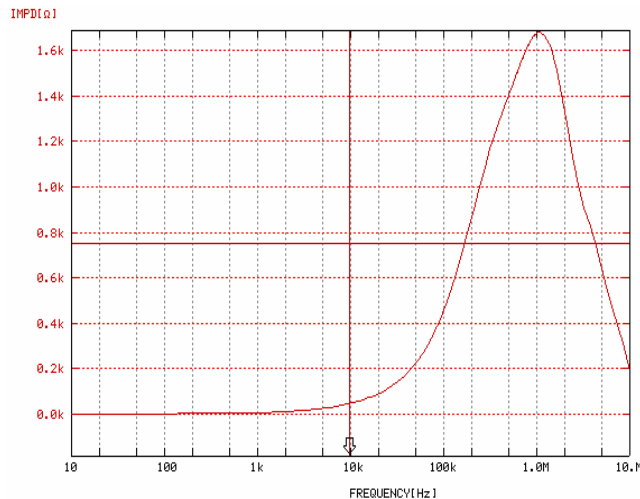
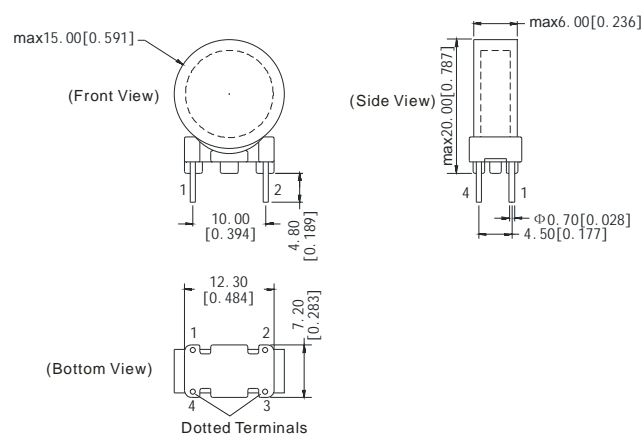


Figure 1 Impedance VS Frequency

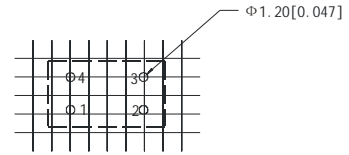
OUTLINE DIMENSIONS

MECHANICAL DIMENSIONS



Note:
 Unit:mm[inch]
 Pin diameter tolerances: $\pm 0.10\text{mm}$ [$\pm 0.004\text{inch}$]
 General tolerances: $\pm 0.25\text{mm}$ [$\pm 0.010\text{inch}$]

RECOMMENDED FOOTPRINT



Note: Grid 2.54*2.54mm.