



Philips Domestic Appliances and Personal Care

Service Manual

PRODUCT INFORMATION

HR7638 /J : Cucina ivory version

HR7638 /K : Cucina white version

- This product meets the requirements regarding interference suppression on radio and TV.
- After the product has been repaired, it should function properly and has to meet the safety requirements as officially laid down at this moment.

REPAIR INSTRUCTIONS

- No specific issues

ASSEMBLY & DISASSEMBLY ADVICE

- No specific issues

OPTIONAL (accessories)

- No specific issues

TECHNICAL INFORMATION

- The food processor is equipped with mechanical and thermal safety switches.
- Motor power consumption : 600 W
- Kneading capacity : max. 400 g of flour
max. 680 g of dough
- Voltage & frequency : 220 - 240 V; 50 - 60 Hz
110 - 120 V; 50 - 60 Hz
- Cordset : 150 cm
- Speed setting : 2 speeds + pulse
- Bowl capacity : 1,8 l dry ingredients
1,2 l liquids
- Blender beaker : 1,5 l total
1,25 l effective
- Dimensions fancy box : 433 x 248 x 414

Automatic resettable thermal cut-out

- In order to avoid an hazardous situation due to in advertent resetting of the thermal cut-out, this appliance must not be supplied through a timer.
- To prevent damage due to overheating, the appliance has been equipped with an automatic cut-out system. This system will automatically cut off the power supply when the appliance overheats.

If the appliance suddenly stops running:

- Unplug the appliance
- Press the button 'pulse / 0'
- Let the appliance cool down for 60 minutes
- Plug the appliance in again
- Switch the appliance on again

Safety lock

- The motor unit as well as the lid have been provided with marks. The appliance will only function if the arrow on the motor unit is placed directly opposite the mark on the lid.
- If both the blender and the bowl have been correctly mounted, only the blender will function.
- For using the bowl, the blender jar has to be removed from the appliance and the screwcap has to be attached. Otherwise only the blender will work.

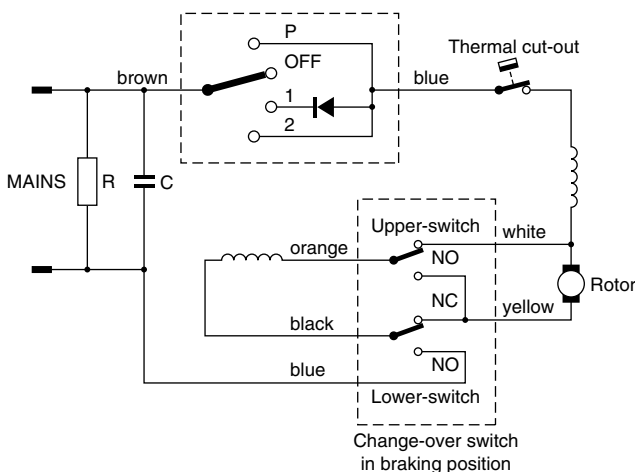
Cleaning

- The bowl, lid of the bowl, pusher and accessories can also be washed in the dishwasher.
- The cover with insert storage and the blender jar are not dishwasher proof.

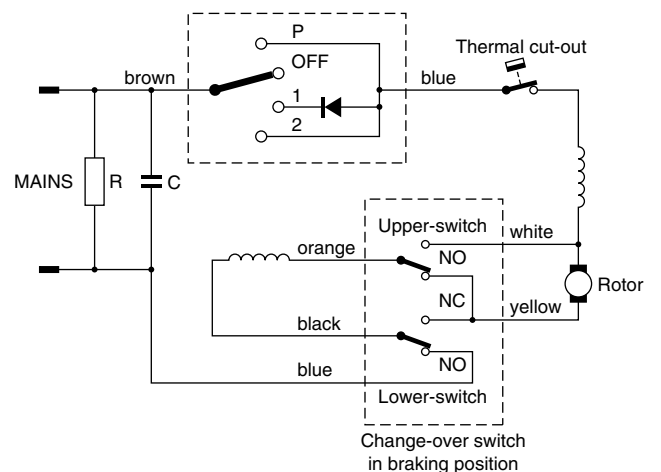
Important:

- If the appliance is used without the blender jar, the appliance will not function if the screw cap has not been screwed onto the attaching hole for the blender.

Circuit diagram without accessorie(s)



Circuit diagram with accessorie(s)



PARTS LIST

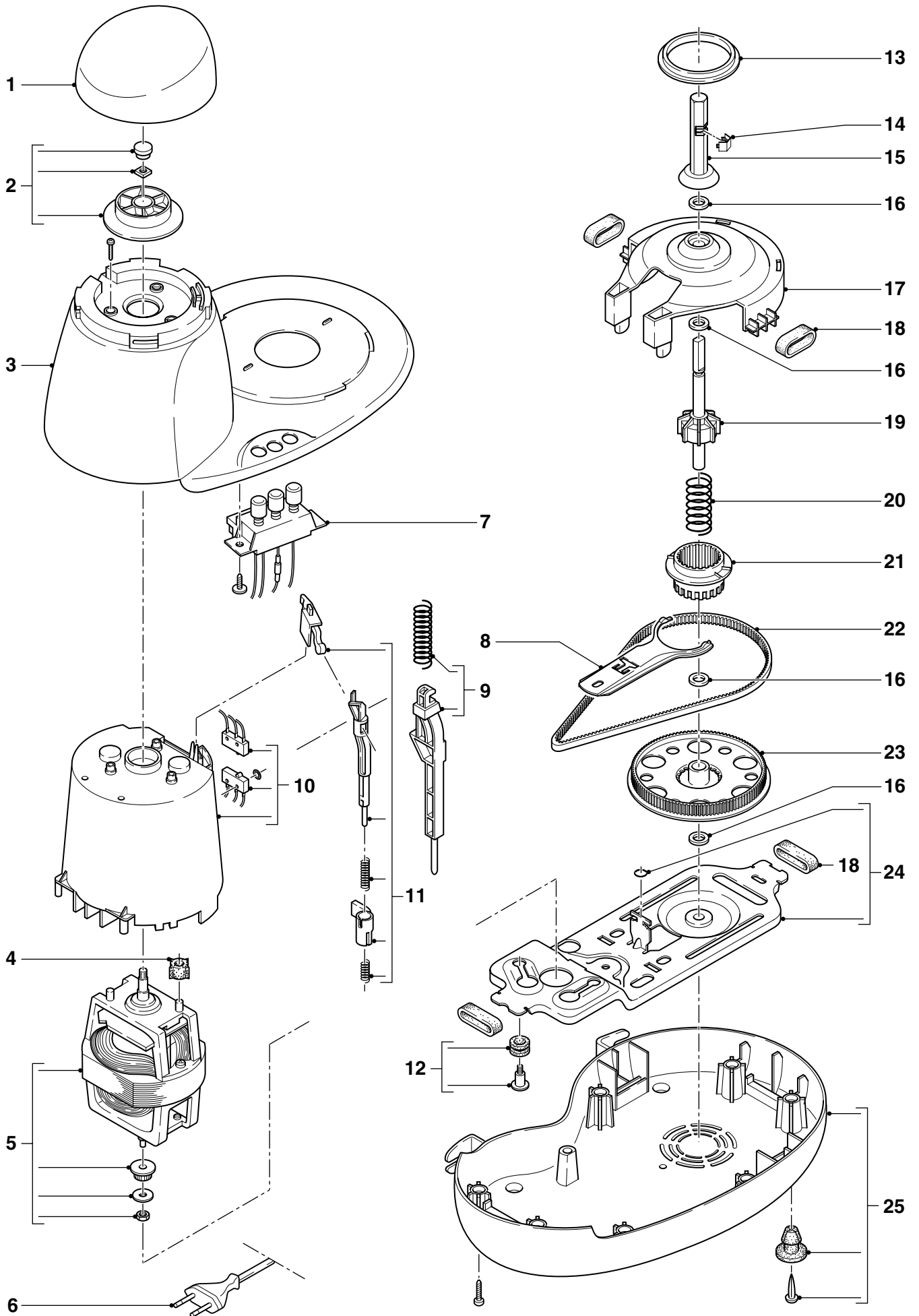
HR7638 /J /K

Pos	Service code	Description
1	9965 000 18341	Blender cover printed /J
	9965 000 18346	Blender cover printed /K
2	9965 000 06964	Blender coupling assy
3	9965 000 18345	Housing one colour printed /J
	9965 000 18347	Housing one colour printed /K
4	9965 000 06776	Rubber piece
5	9965 000 06787	Motor assy 110 - 120 V
	9965 000 06789	Motor assy 220 - 240 V
6	9965 000 18332	Cordset - EU version /J
	9965 000 18338	Cordset - EU version /K
	9965 000 18339	Cordset - UK version /K
	9965 000 18340	Cordset - Switzerland version /K
7	9965 000 18333	Main switch assy
8	9965 000 06972	Coupling fork
9	9965 000 06970	Coupling lever assy
10	9965 000 06777	Air tunnel 220 - 240 V
	9965 000 09874	Air tunnel 110 - 127 V
11	9965 000 06772	Switch lever assy
12	9965 000 06814	Motor screw assy
13	9965 000 06912	Rubber sealing ring
14	9965 000 06914	Locking piece /J
	9965 000 06915	Locking piece /K
15	9965 000 06916	Drive shaft /J
	9965 000 06917	Drive shaft /K
16	9965 000 06817	Bearing disc
17	9965 000 06819	Locking plate assy /J
	9965 000 06820	Locking plate assy /K
18	9965 000 06815	Rubber tube
19	9965 000 06967	Spindle assy
20	9965 000 06974	Compression spring
21	9965 000 07073	Coupling piece
22	9965 000 06818	Tooth belt
23	9965 000 06962	Drive wheel assy
24	9965 000 06802	Metal mounting plate assy
25	9965 000 18334	Bottom assy /J
	9965 000 18337	Bottom assy /K

Pos	Service code	Description
29	9965 000 06927	Spatula /J
	9965 000 06928	Spatula /K
30	9965 000 06925	Special cover
31	9965 000 06924	Mono pusher
32	9965 000 06922	Bearing insert /J
	9965 000 06923	Bearing insert /K
33	9965 000 12316	Bowl cover assy /J
	9965 000 12313	Bowl cover assy /K
34	9965 000 12314	Bowl
35	4203 065 61570	Granulating insert (opt.)
36	4203 065 61550	Shredding insert fine
	9965 000 12156	Shredding insert fine w/o "stainless steel" wording
37	4203 065 61560	Shredding insert medium
38	4203 065 62310	Shredding insert coarse (opt.)
39	9965 000 06943	Julienne insert (opt.)
40	4203 065 61530	Slicing insert fine (opt.)
41	4203 065 61540	Slicing insert medium
	9965 000 12157	Slicing insert medium w/o "stainless steel" wording
42	9965 000 06940	Insert carrier assy /J
	9965 000 06941	Insert carrier assy /K
43	9965 000 06935	Kneading knife /J
	9965 000 06936	Kneading knife /K
44	9965 000 06933	Metal knife assy /J
	9965 000 12158	Metal knife assy /K
45	9965 000 06931	Whisk /J
46	9965 000 06932	Whisk /K
	9965 000 06929	Accessory holder assy /J
47	9965 000 06930	Accessory holder assy /K
	9965 000 12160	Soybean/ Fruit filter (opt.) /J
48	4822 480 10246	Soybean/ Fruit filter (opt.) /K
	9965 000 06977	Jar lid /J
49	9965 000 06976	Jar lid /K
	4822 418 10418	Jar assy
49	4822 267 31591	wire connector for two wires
	9965 000 01056	wire connector for three wires

EXPLODED VIEW

HR7638 /J /K



EXPLODED VIEW

HR7638 /J /K

