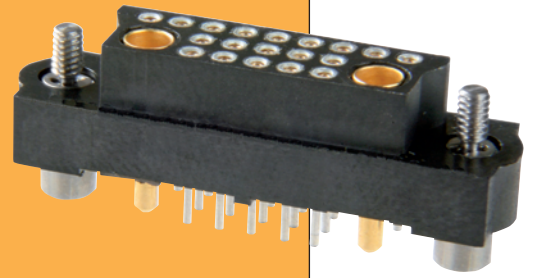


# M83 Datamate Connectors

## Female Vertical PC Tail

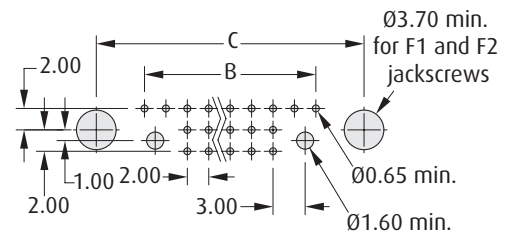
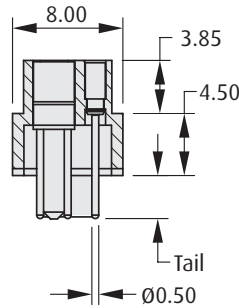
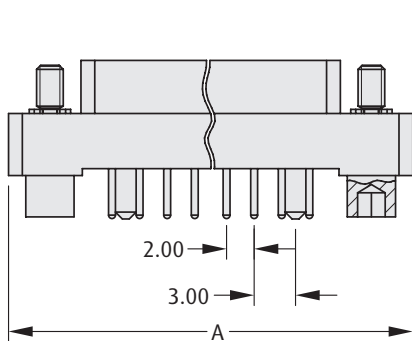
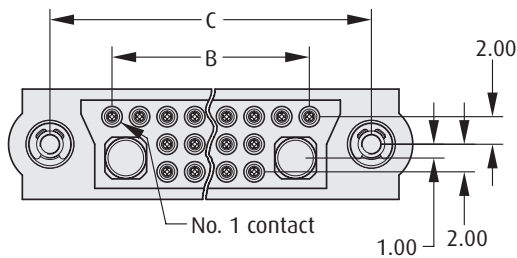
- Choice of compatible jackscrews and special contacts.
- All contacts are gold finish for full RoHS compliance.
- See page 67 for a signal-only configuration, and page 69 for an alternative mixed technology configuration.
- Contact [datamate@harwin.com](mailto:datamate@harwin.com) for alternative contact configurations.



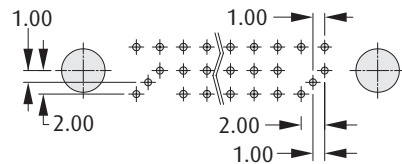
### FEMALE VERTICAL

### CALCULATION

<b>A</b>	$B + 15$
<b>B</b>	$(\text{Total No. of contacts} + 5) \times 2/3$
<b>C</b>	$B + 9$



Recommended PC Board Pattern with 321 or 322 Power contacts



Recommended PC Board Pattern with 301 or 302 Coax contacts

Diagram shown with Special Contact 321 and Jackscrew F2 assembled.

### HOW TO ORDER

**M83 - LF TX XX N XX - 0101 - XXX**

**SERIES CODE**

**SPECIAL CONTACTS**

301, 302, 321, 322

**TAIL**

**T1** 3mm Tail

**T2** 4.5mm Tail

**JACKSCREW**

**00** No Jackscrew

**Fx** Female Jackscrews - see page 64

**TOTAL NO. OF CONTACTS**

19, 25

All dimensions in mm.

[www.harwin.com](http://www.harwin.com)

