

CACHE DATA SRAM

SINGLE 8K x 18 SRAM, DUAL 4K x 18 SRAM CONFIGURABLE CACHE DATA SRAM

FEATURES

- Operates as two 4K x 18 SRAMs with common addresses and data; also configurable as a single 8K x 18 SRAM
- Built-in input address latches
- Separate upper and lower Byte Select
- Fast access times: 20ns, 25ns and 35ns allow operation with 40, 33 and 25 MHz microprocessor systems
- Fast \overline{OE} : 8ns
- Directly interfaces with the Intel 82385 cache controller as well as other 80386 cache memory controllers
- Parity bits provided for large cache applications such as secondary cache for the 80486 microprocessors

OPTIONS

- Timing
20ns access (40 MHz)
25ns access (33 MHz)
35ns access (25 MHz)

MARKING

- Packages
52-pin PLCC EJ
52-pin PQFP LG
- Part Number Example: MT56C0818EJ-25

GENERAL DESCRIPTION

The MT56C0818 is one of a family of fast SRAM cache memories. It employs a high-speed, low-power design using a four-transistor memory cell. It is fabricated using double-layer polysilicon, double-layer metal CMOS technology.

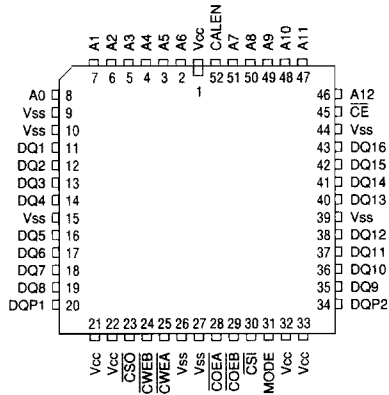
The MT56C0818 is a highly integrated cache data memory building block. It easily interfaces with cache controllers for the Intel 80386 in either DIRECT MAPPED or TWO-WAY SET ASSOCIATIVE modes. A mode control pin (MODE) determines the configuration of the memory. When this pin is held LOW, the device functions as an 8K-word by 18-bit SRAM. When the mode pin is HIGH, the device is configured as a dual 4K-word by 18-bit SRAM.

Input addresses are latched in the on-chip register on the negative edge of the CALEN signal. This register is functionally equivalent to a 74LS373.

The memory functions are controlled by the chip select (\overline{CE} , $\overline{CS0}$ and $\overline{CS1}$), output enable (\overline{COEA} and \overline{COEB}) and write enable (\overline{CWEA} and \overline{CWEB}) signals.

PIN ASSIGNMENT (Top View)

52-Pin PLCC (SC-2)
52-Pin PQFP (SC-4)



5 VOLT CACHE DATA/LATCHED SRAM

In either DIRECT MAPPED (direct) or TWO-WAY SET ASSOCIATIVE (dual) operational modes, \overline{CE} is a global chip enable, while $\overline{CS0}$ and $\overline{CS1}$ control lower and upper byte selection for READ and WRITE operations.

Outputs are enabled on a HIGH-to-LOW transition of \overline{COEA} or \overline{COEB} . In the dual mode, bank "A" or bank "B" may be enabled. In the direct mode, \overline{COEA} and \overline{COEB} should be connected together externally and used as a single output enable. Alternately, \overline{COEA} or \overline{COEB} can be tied LOW externally, allowing the other signal to control the outputs.

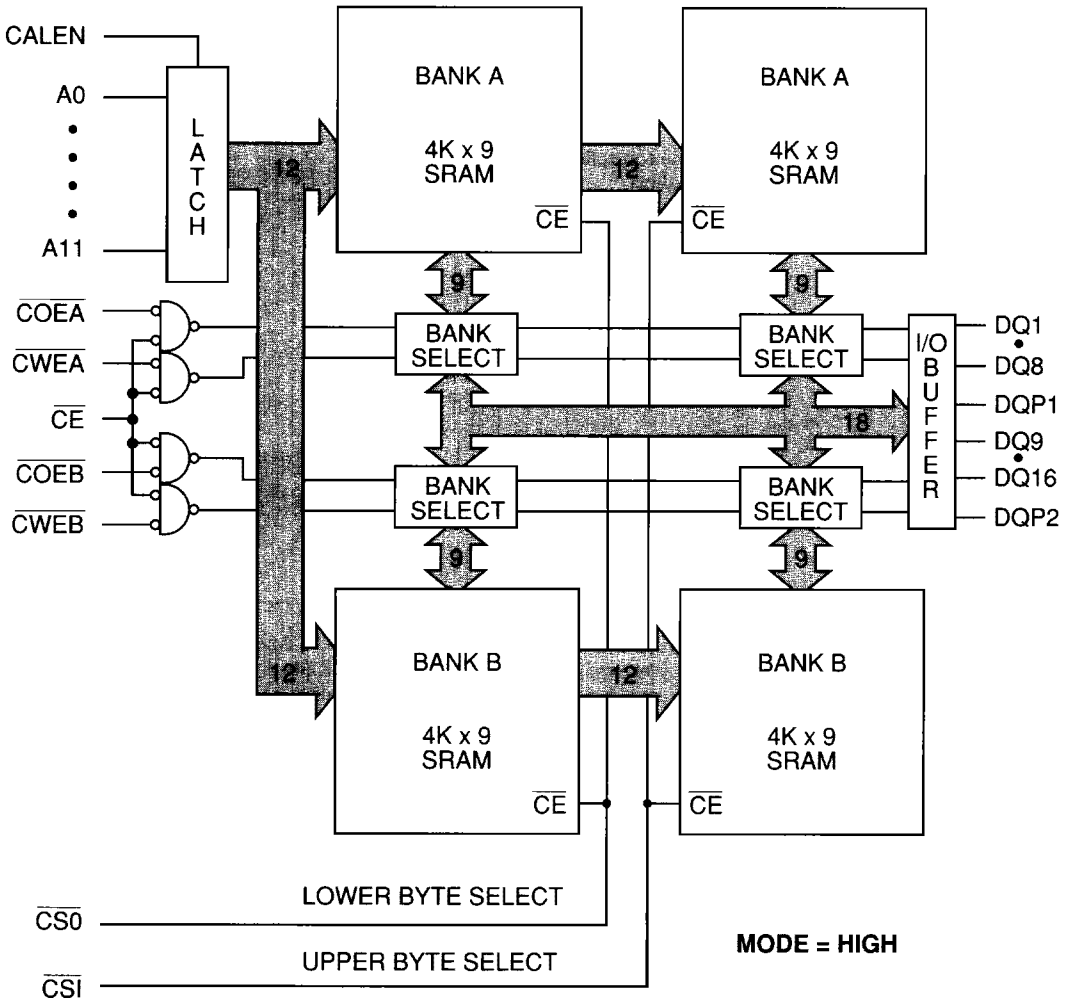
Write enable is activated on a HIGH-to-LOW transition of \overline{CWEA} or \overline{CWEB} . In the dual mode, data may be written to bank "A" or bank "B". In the direct mode, \overline{CWEA} and \overline{CWEB} should be connected together externally and used as a single write enable. Alternately, \overline{CWEA} or \overline{CWEB} can be tied LOW externally, allowing the other signal to control the write function.

The MT56C0818 operates from a +5V power supply and all inputs and outputs are fully TTL compatible.

FUNCTIONAL BLOCK DIAGRAM

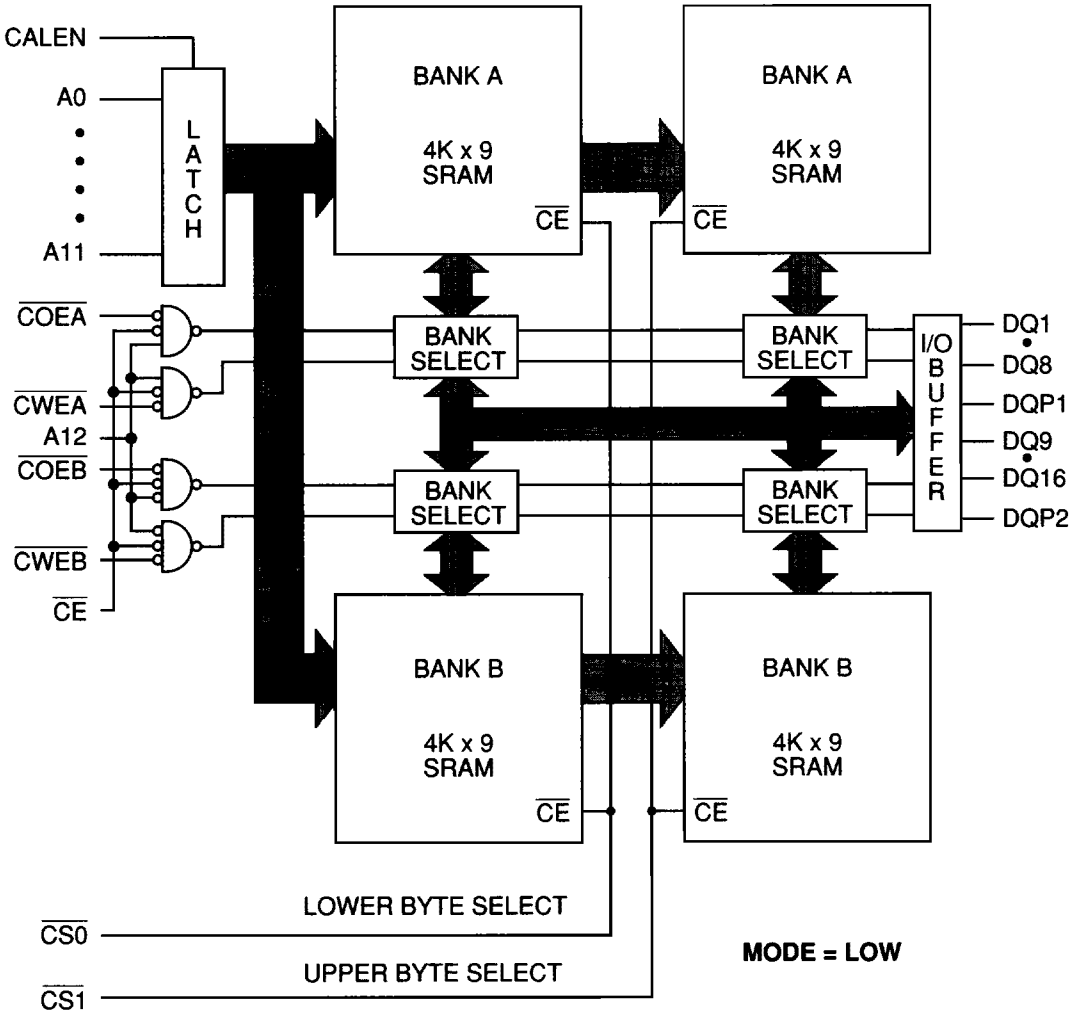
DUAL 4K x 18
(TWO-WAY SET ASSOCIATIVE)

5 VOLT CACHE/LATCHED SRAM



FUNCTIONAL BLOCK DIAGRAM

8K x 18
(DIRECT MAP)



5 VOLT CACHE DATA/LATCHED SRAM

PIN DESCRIPTIONS

PLCC PIN NUMBER(S)	SYMBOL	TYPE	DESCRIPTION
8, 7, 6, 5, 4, 3, 2, 51, 50, 49, 48, 47	A0-A11	Input	Address Inputs: These inputs are clocked by CALEN and stored in a latch.
46	A12	Input	Address Input: This input is the high order-address bit in the direct 8K x 18 configuration. It is not used in the dual 4K x 18 configuration.
52	CALEN	Input	Address Latch Enable: When CALEN is HIGH, the latch is transparent. The negative edge latches the current address inputs (A0-A11).
31	MODE	Input	Mode Select: This controls the device configuration. When this pin is tied HIGH, the device is in the dual 4K x 18 configuration. When the pin is tied LOW, the device is configured as an 8K x 18 SRAM.
23, 30	CS0, CS1	Input	Chip Selects: These signals are used to select the upper and lower bytes for both READ and WRITE operations. When CS0 is LOW, DQ1-DQ8 and DQP1 are enabled. When CS1 is LOW, DQ9-DQ16 and DQP2 are enabled.
45	CE	Input	Chip Enable: When CE is LOW, the device is enabled. It is a global control signal that activates both bank A and bank B for READ or WRITE operations.
28, 29	COEA, COEB	Input	Output Enable: In the dual configuration the signal that is LOW enables bank A or B. Simultaneous LOW assertion will deselect both banks. In the direct mode, these signals should be externally connected and, when asserted LOW, allow A12 to determine which memory bank is enabled. Alternately, COEA or COEB can be tied LOW externally, allowing the other signal to control the outputs.
25, 24	CWEA, CWEB	Input	Write Enable: In the dual configuration the signal that is LOW enables a data write to the addressed memory location. In the direct mode, these signals should be externally connected and, when asserted LOW, allow A12 to determine which memory bank is written. Alternately, CWEA or CWEB can be tied LOW externally, allowing the other signal to control the write function.
11, 12, 13, 14, 16, 17, 18, 19, 35, 36, 37, 38, 40, 41, 42, 43	DQ1-DQ16	Input/ Output	SRAM Data I/O: lower byte is DQ1-DQ8; upper byte is DQ9-DQ16.
20, 34	DQP1 DQP2	Input/ Output	Parity Data I/O: DQP1 is the parity bit for the lower byte. DQP2 is the parity bit for the upper byte.
1, 21, 22, 32, 33	Vcc	Supply	Power Supply: +5V ±5%
9, 10, 15, 26, 27, 39, 44	Vss	Supply	Ground: GND

5 VOLT CACHE/LATCHED SRAM

TRUTH TABLE

DUAL 4K x 18 (MODE PIN = HIGH)

OPERATION	CE	CS0	CS1	COEA	COEB	CWEA	CWEB
Outputs High-Z, WRITE disabled	H	X	X	X	X	X	X
Outputs High-Z, WRITE disabled	X	H	H	X	X	X	X
Outputs High-Z	X	X	X	H	H	X	X
Outputs High-Z	X	X	X	L	L	X	X
READ DQ1-DQ8, DQP1 bank A	L	L	H	L	H	H	H
READ DQ1-DQ8, DQP1 bank B	L	L	H	H	L	H	H
READ DQ9-DQ16, DQP2 bank A	L	H	L	L	H	H	H
READ DQ9-DQ16, DQP2 bank B	L	H	L	H	L	H	H
READ DQ1-DQ16, DQP1, DQP2 bank A	L	L	L	L	H	H	H
READ DQ1-DQ16, DQP1, DQP2 bank B	L	L	L	H	L	H	H
WRITE DQ1-DQ8, DQP1 bank A	L	L	H	X	X	L	H
WRITE DQ1-DQ8, DQP1 bank B	L	L	H	X	X	H	L
WRITE DQ9-DQ16, DQP2 bank A	L	H	L	X	X	L	H
WRITE DQ9-DQ16, DQP2 bank B	L	H	L	X	X	H	L
WRITE DQ1-DQ16, DQP1, DQP2 bank A	L	L	L	X	X	L	H
WRITE DQ1-DQ16, DQP1, DQP2 bank B	L	L	L	X	X	H	L
WRITE DQ1-DQ8, DQP1 banks A & B	L	L	H	X	X	L	L
WRITE DQ9-DQ16, DQP2 banks A & B	L	H	L	X	X	L	L
WRITE DQ1-DQ16, DQP1, DQP2 banks A & B	L	L	L	X	X	L	L

NOTE: \overline{CE} , when taken inactive while \overline{CWEA} or \overline{CWEB} remain active, allows a chip-enable-controlled WRITE to be performed.

5 VOLT CACHE DATA/LATCHED SRAM

TRUTH TABLE

8K x 18 (MODE PIN = LOW)

OPERATION	CE	CS0	CS1	COEA	COEB	CWEA	CWEB
Outputs High-Z, WRITE disabled	H	X	X	X	X	X	X
Outputs High-Z, WRITE disabled	X	H	H	X	X	X	X
Outputs High-Z	X	X	X	H	H	X	X
READ DQ1-DQ8, DQP1	L	L	H	L	L	H	H
READ DQ9-DQ16, DQP2	L	H	L	L	L	H	H
READ DQ1-DQ16, DQP1, DQP2	L	L	L	L	L	H	H
WRITE DQ1-DQ8, DQP1	L	L	H	X	X	L	L
WRITE DQ9-DQ16, DQP2	L	H	L	X	X	L	L
WRITE DQ1-DQ16, DQP1, DQP2	L	L	L	X	X	L	L

- NOTE:**
1. \overline{CE} , when taken inactive while \overline{CWEA} and \overline{CWEB} remain active, allows a chip-enable-controlled WRITE to be performed.
 2. \overline{COEA} and \overline{COEB} must both be LOW to enable outputs. However, one signal can be tied LOW externally, allowing the other signal to control the outputs. Similarly \overline{CWEA} and \overline{CWEB} must both be LOW to enable a WRITE cycle. Either \overline{CWEA} or \overline{CWEB} can be tied LOW externally, allowing the other signal to control the WRITE function.

5 VOLT CACHE/LATCHED SRAM

ABSOLUTE MAXIMUM RATINGS*

Voltage on Vcc Supply Relative to Vss	-1V to +7V
Storage Temperature	-55°C to +150°C
Power Dissipation (PLCC)	1.2W
Power Dissipation (PQFP)	1.2W
Short Circuit Output Current	50mA

*Stresses greater than those listed under "Absolute Maximum Ratings" may cause permanent damage to the device. This is a stress rating only and functional operation of the device at these or any other conditions above those indicated in the operational sections of this specification is not implied. Exposure to absolute maximum rating conditions for extended periods may affect reliability.

ELECTRICAL CHARACTERISTICS AND RECOMMENDED DC OPERATING CONDITIONS

(0°C ≤ T_A ≤ 70°C; V_{cc} = 5V ±5%)

DESCRIPTION	CONDITIONS	SYMBOL	MIN	MAX	UNITS	NOTES
Power Supply Voltage		V _{cc}	4.75	5.25	V	
Input High Voltage		V _{IH}	2.2	V _{cc} +0.3	V	1
Input Low Voltage		V _{IL}	-0.3	0.8	V	1, 2
Input Leakage Current	V _{IN} = GND to V _{cc}	I _{LI}	-5	5	μA	
Output Leakage Current	V _{I/O} = GND to V _{cc} Output(s) Disabled	I _{LO}	-5	5	μA	
Output Low Voltage	I _{OL} = 4.0mA	V _{OL}		0.4	V	1
Output High Voltage	I _{OH} = -1.0mA	V _{OH}	2.4		V	1

DESCRIPTION	CONDITIONS	SYMBOL	TYP	MAX	UNITS	NOTES
Power Supply Current: Average Operating Current	100% duty cycle V _{IN} = GND to V _{cc}	I _{cc1}	130	220	mA	
Power Supply Current: Average Operating Current	50% duty cycle V _{IN} = GND to V _{cc}	I _{cc2}	70	120	mA	
Power Supply Current: CMOS Standby	CS ₀ = CS ₁ ≥ V _{cc} - 0.2V V _{cc} = MAX V _{IN} ≤ V _{ss} + 0.2V V _{IN} ≥ V _{cc} - 0.2V	I _{SB}	2.0	20	mA	

CAPACITANCE

DESCRIPTION	CONDITIONS	SYMBOL	MAX	UNITS	NOTES
Input Capacitance	T _A = 25°C; f = 1 MHz V _{cc} = 5V	C _{IN}	6	pF	3
Output Capacitance		C _{I/O}	6	pF	3

PQFP THERMAL CONSIDERATIONS

DESCRIPTION	CONDITIONS	SYMBOL	MAX	UNITS	NOTES
Thermal resistance – Junction to Ambient Suspended in Air	Still Air	°JA	100	°C/W	
Thermal resistance – Junction to Case		°JC	45	°C/W	
Thermal resistance mounted on 2" x 3" PC board		°JA	70	°C/W	
Maximum Case Temperature		TC	110	°C	

5 VOLT CACHE DATA/LATCHED SRAM

ELECTRICAL CHARACTERISTICS AND RECOMMENDED AC OPERATING CONDITIONS

(0°C ≤ T_A ≤ +70°C, V_{CC} = 5V ±5%)

DESCRIPTION	SYM	-20		-25		-35		UNITS	NOTES
		MIN	MAX	MIN	MAX	MIN	MAX		
READ Cycle									
READ cycle time	t _{RC}	20		25		35		ns	4, 5
Address access time (A0-A11)	t _{AA}		20		25		35	ns	
A12 address access time	t _{A12A}		15		17		25	ns	
Chip Enable access time	t _{ACE}		20		20		25	ns	
Chip Select access time	t _{ACS}		20		25		35	ns	
Output Enable access time	t _{AOE}		8		10		13	ns	
Output hold from address change	t _{OH}	3		3		3		ns	
Chip Select to output Low-Z	t _{LZCS}	3		3		3		ns	
Output Enable to output Low-Z	t _{LZOE}	2		2		2		ns	
Chip deselect to output High-Z	t _{HZCS}		15		15		25	ns	6
Output disable to output High-Z	t _{HZOE}		10		10		14	ns	6
Address Latch Enable pulse width	t _{CALEN}	8		8		10		ns	
Address setup to latch LOW	t _{ASL}	4		4		6		ns	
Address hold from latch LOW	t _{AHL}	5		5		5		ns	
WRITE Cycle									
WRITE cycle time	t _{WC}	20		25		35		ns	
Address valid to end of write	t _{AW}	15		18		25		ns	
A12 address valid to end of write	t _{A12W}	15		18		25		ns	
Chip Select to end of write	t _{CW}	15		18		25		ns	
Data valid to end of write	t _{DW}	10		10		10		ns	
Data hold from end of write	t _{DH}	0		0		0		ns	
Write Enable output in High-Z	t _{HZWE}		12		15		15	ns	6
Write disable to output in Low-Z	t _{LZWE}	3		3		3		ns	
WRITE pulse width	t _{WP}	15		18		25		ns	
CE pulse width (during Chip Enable controlled write)	t _{CP}	15		18		25		ns	
Address setup time	t _{AS}	0		0		0		ns	
WRITE recovery time	t _{WR}	0		0		0		ns	
Address Latch Enable pulse width	t _{CALEN}	8		8		10		ns	
Address setup to latch LOW	t _{ASL}	4		4		6		ns	
Address hold from latch LOW	t _{AHL}	5		5		5		ns	

5 VOLT CACHE/LATCHED SRAM

AC TEST CONDITIONS

Input pulse levels	V _{SS} to 3.0V
Input rise and fall times	3ns
Input timing reference levels	1.5V
Output reference levels	1.5V
Output load	See Figures 1 and 2

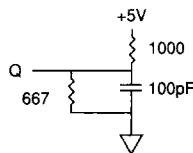


Fig. 1 OUTPUT LOAD EQUIVALENT

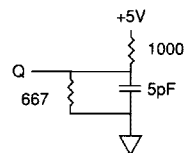


Fig. 2 OUTPUT LOAD EQUIVALENT

NOTES

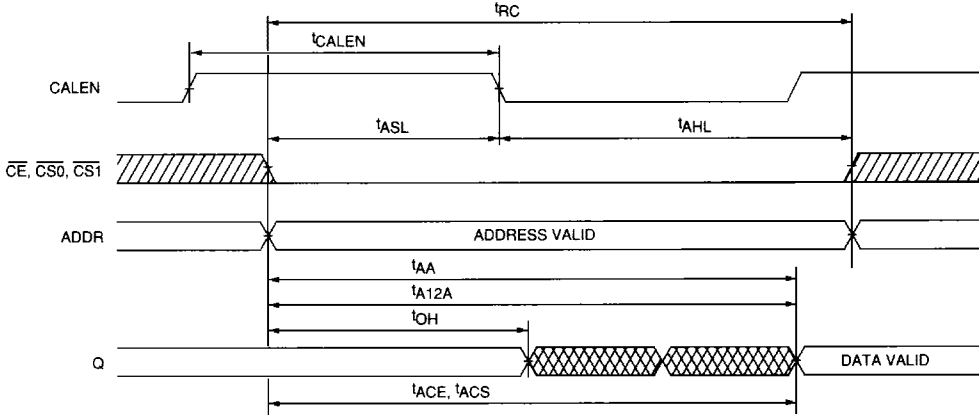
1. All voltages referenced to V_{SS} (GND).
2. -3V for pulse width < t_{RC}/2.
3. This parameter is sampled.
4. \overline{CWE} is HIGH for a READ cycle.

5. All READ cycle timings are referenced from the last valid address to the first transitioning address.
6. t_{HZCS}, t_{HZOE}, and t_{HZWE} are specified with CL = 5pF as in Fig. 2. Transition is measured ± 500mV from steady state voltage.

READ CYCLE NO. 1

(Address Controlled)

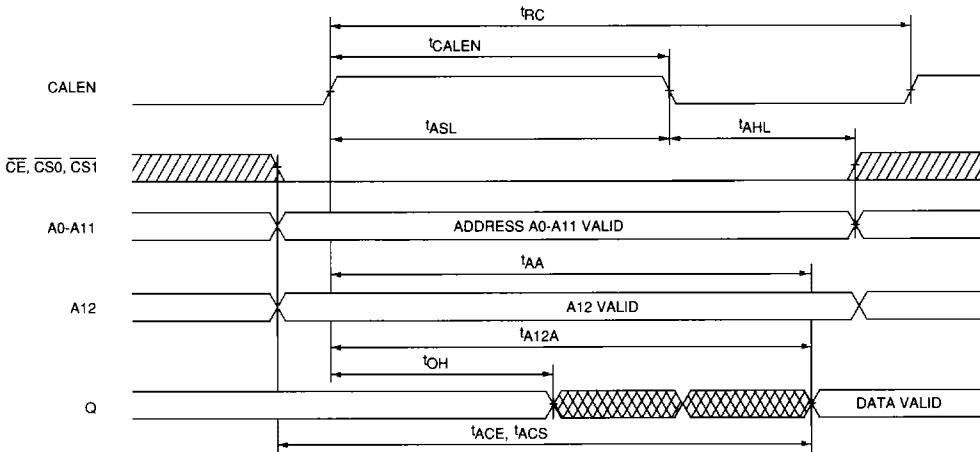
$$\overline{CWEA} = \overline{CWEB} = V_{IH}; \overline{COEA} \text{ and/or } \overline{COEB} = V_{IL}$$





READ CYCLE NO. 2

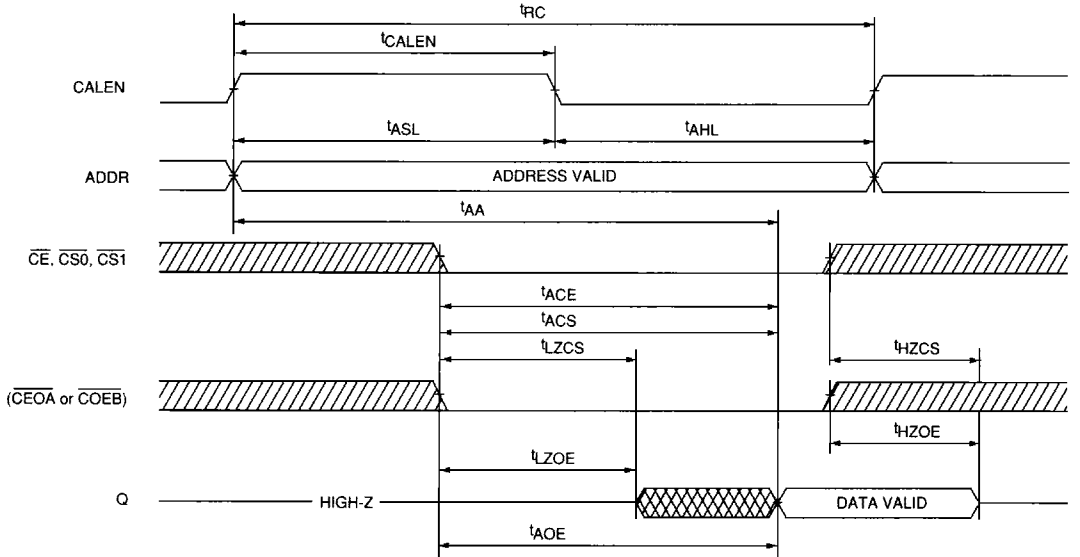
(CALEN Controlled)

$$\overline{CWEA} = \overline{CWEB} = V_{IH}; \overline{COEA} \text{ and/or } \overline{COEB} = V_{IL}$$



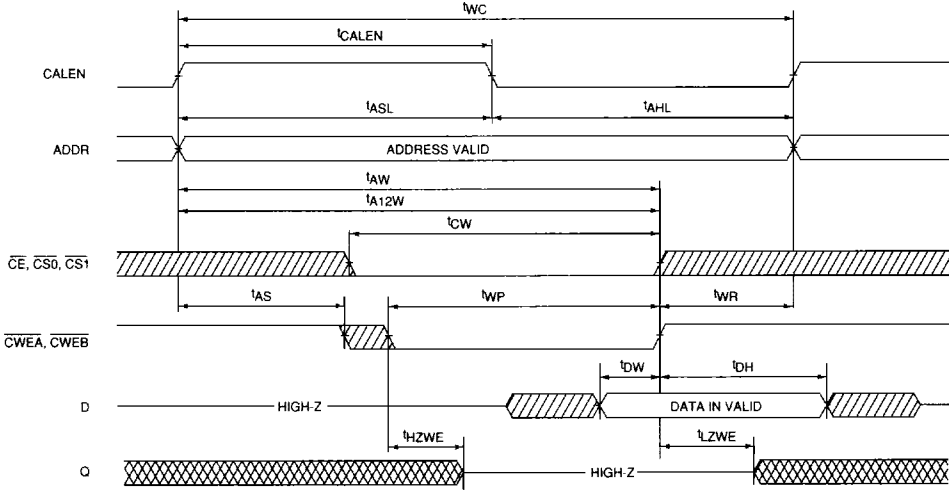
 DON'T CARE
 UNDEFINED

READ CYCLE NO. 3
 $\overline{CWEA} = \overline{CWEB} = V_{IH}$

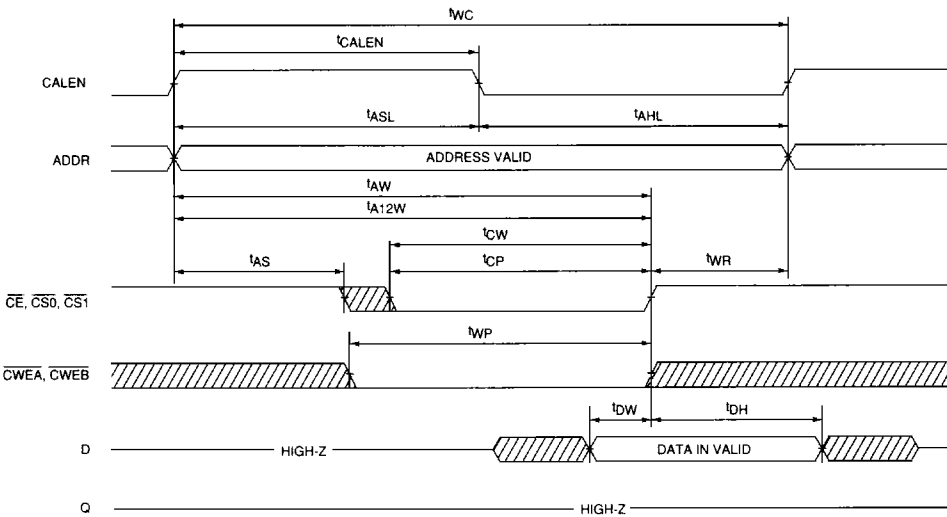



5 VOLT CACHE/LATCHED SRAM

WRITE CYCLE NO. 1
(Write Enable Controlled)



WRITE CYCLE NO. 2
(Chip Select Controlled)



 DON'T CARE
 UNDEFINED

5 VOLT CACHE DATA/LATCHED SRAM

MICRON

MT56C0818
8K x 18, DUAL 4K x 18 CACHE DATA SRAM

5 VOLT CACHE/LATCHED SRAM