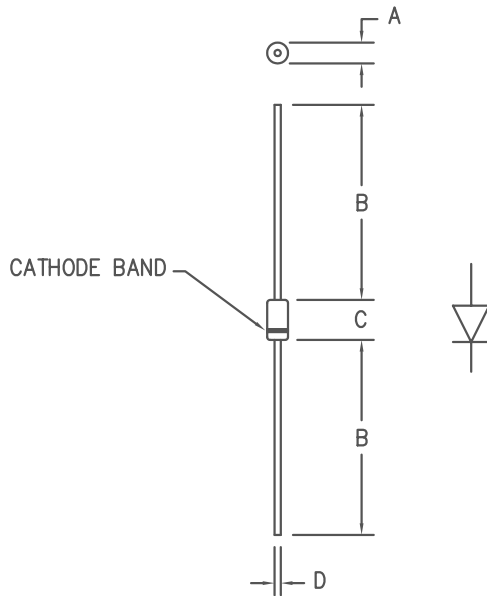


Ultra Fast Recovery Rectifiers

UF160 — UF180



Dim.	Inches		Millimeter		Notes
	Minimum	Maximum	Minimum	Maximum	
A	.081	.107	2.057	2.718	Dia.
B	1.10	---	27.94	---	
C	.160	.205	4.064	5.207	
D	.028	.034	.711	.864	Dia.

PLASTIC D041

Microsemi Catalog Number	Industry Part Number	Working Peak Reverse Voltage	Repetitive Peak Reverse Voltage
UF160	MUR160 UF4005, UF4005GP VHE260	600V	600V
UF170		700V	700V
UF180	MUR180 UF4006, UF4006GP	800V	800V

- Ultra Fast Recovery
- 175°C Junction Temperature
- VRRM 600 to 800 Volts
- 1 Amp Current Rating
- t_{RR} 60nS Max.

Electrical Characteristics

Average forward current	$I_{F(AV)}$ 1.0 Amps	$T_L = 100^\circ\text{C}$, Square wave, $R_{\theta JL} = 25^\circ\text{C/W}$, $L = 1/4"$
Maximum surge current	I_{FSM} 25 Amps	8.3ms, half sine, $T_J = 175^\circ\text{C}$
Max peak forward voltage	V_{FM} .89 Volts	$I_{FM} = 0.1\text{A}$; $T_J = 25^\circ\text{C}^*$
Max peak forward voltage	V_{FM} 1.2 Volts	$I_{FM} = 1.0\text{A}$; $T_J = 25^\circ\text{C}^*$
Max reverse recovery time	t_{RR} 60 nS	1/2A, 1A, 1/4A, $T_J = 25^\circ\text{C}$
Max peak reverse current	I_{RM} 20 μA	V_{RRM} , $T_J = 25^\circ\text{C}$
Typical junction capacitance	C_J 5.5 pF	$V_R = 10\text{V}$, $T_J = 25^\circ\text{C}$

*Pulse test: Pulse width 300 μsec , Duty cycle 2%

Thermal and Mechanical Characteristics

Storage temperature range	T_{STG}	-55°C to 175°C
Operating junction temp range	T_J	-55°C to 175°C
Maximum thermal resistance	$L = 1/4"$ $R_{\theta JL}$	25°C/W Junction to Lead
Weight		.011 ounces (0.34 grams) typical

7-2-04 Rev. 4

UF160 — UF180

Figure 1
Typical Forward Characteristics

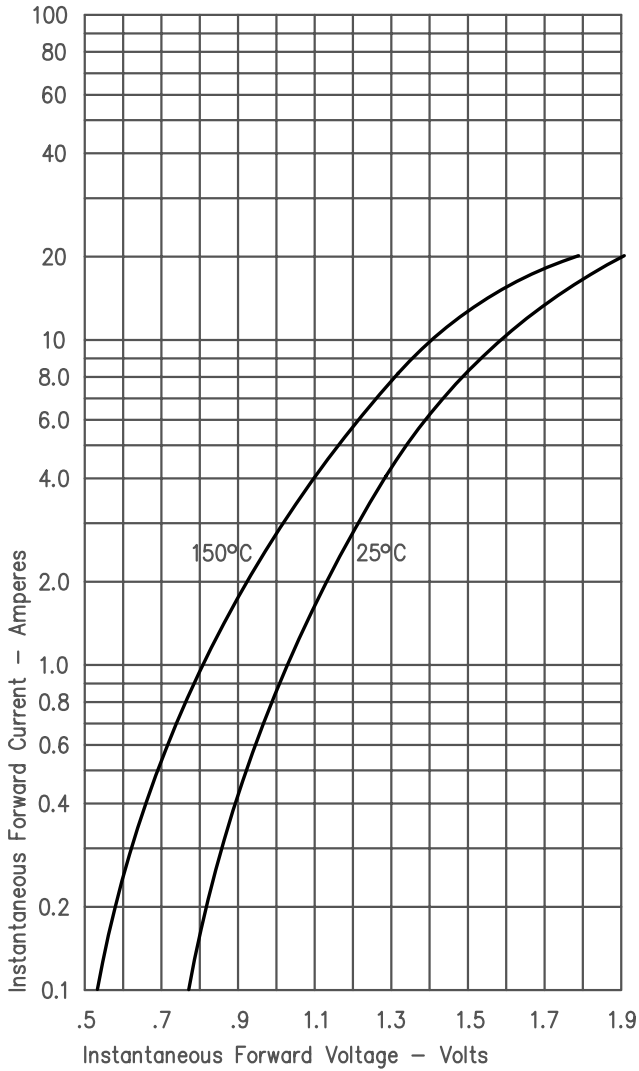


Figure 3
Typical Junction Capacitance

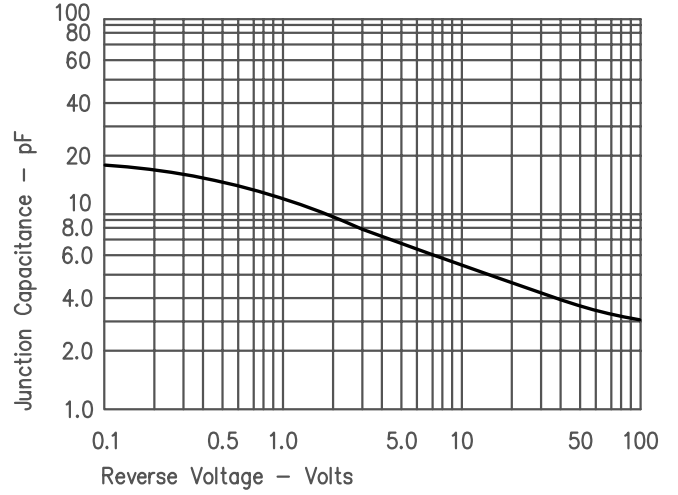


Figure 2
Typical Reverse Characteristics

