

APPLICATION MANUAL



Dual OPAMP with Full-swing Output TK17020M

CONTENTS

1 . DESCRIPTION	2
2 . FEATURES	2
3 . APPLICATIONS	2
4 . PIN CONFIGURATION	2
5 . PACKAGE OUTLINE	2
6 . ABSOLUTE MAXIMUM RATINGS	2
7 . ELECTRICAL CHARACTERISTICS	3
8 . TEST CIRCUIT	3
9 . TYPICAL CHARACTERISTICS	5
10 . PIN DESCRIPTION	7
11 . NOTES	8
12 . OFFICES	8



Dual OPAMP with Full-swing Output TK17020M

1. DESCRIPTION

The TK17020M is dual operational amplifier with full-swing output.

The features are low voltage operation, low saturation output, and a small package. It is suitable for use with battery-operated portable equipment.

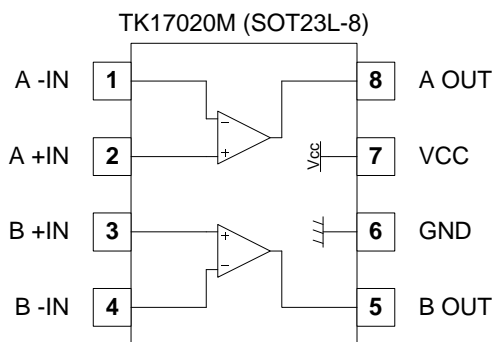
2. FEATURES

- Low Voltage Operation $V_{OP}=1.8V$ to $10V$
- Low Saturation Output Voltage $V_{OM}=V_{CC}-0.14V$
- Slew Rate $SR=0.5V/\mu\text{sec}$
- Unity Gain Bandwidth $GB=0.7\text{MHz}$
- Small Package SOT23L-8

3. APPLICATIONS

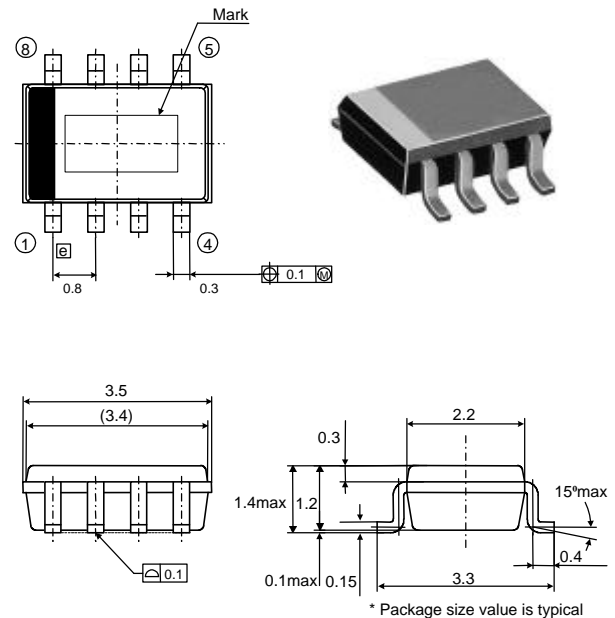
- General Purpose
- Portable Equipment
- Low Operating Voltage Equipment

4. PIN CONFIGURATION



5. PACKAGE OUTLINE

■ SOT23L-8



6. ABSOLUTE MAXIMUM RATINGS

Parameter	Symbol	Rating	Units	Conditions
Supply Voltage	V_{CC}	12	V	
Power Dissipation	P_D	400	mW	*
Storage Temperature Range	T_{stg}	-55 ~ +150	$^{\circ}\text{C}$	
Operating Temperature Range	T_{OP}	-40 ~ +85	$^{\circ}\text{C}$	
Operating Voltage Range	V_{OP}	1.8 ~ 10	V	

* P_D must be decreased at the rate of $3.2\text{mW}/^{\circ}\text{C}$ for operation above 25°C .

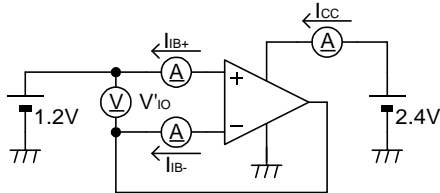
7. ELECTRICAL CHARACTERISTICS

$V_{CC}=2.4V, T_a=25^{\circ}C$

Parameter	Symbol	Value			Units	Conditions
		MIN	TYP	MAX		
Supply Current	I_{CC}	-	1.8	3.0	mA	$R_L=\infty, V_{in}=V_{CC}/2$
Input Offset Voltage	V_{IO}	-	2	20	mV	
Input Offset Current	I_{IO}	-	5	200	nA	
Input Bias Current	I_{IB}	-	120	800	nA	
Common-Mode Input Voltage Range	V_{ICMR}	0.5	-	$V_{CC}-1.2$	V	
Maximum Output Voltage	V_{OM}	$V_{CC}-0.25$	$V_{CC}-0.1$	-	V	$R_L=1k\Omega, V_{OH}$
		-	0.04	0.25	V	$R_L=1k\Omega, V_{OL}$
Source Current	I_{SO}	8	20	-	mA	$A_V=1, V_{IN}=1V, V_O=0.8V$
Sink Current	I_{SI}	18	30	-	mA	$A_V=1, V_{IN}=1V, V_O=1.2V$
Common-Mode Rejection Ratio	CMRR	-	90	-	dB	
Supply Voltage Rejection Ratio	SVRR	-	70	-	dB	
Open Circuit Voltage Gain	G_{VO}	-	100	-	dB	
Slew Rate	SR	-	0.5	-	V/ μs	$A_V=1, R_L=1k\Omega$
Gain-Bandwidth Product	GB	-	0.7	-	MHz	
Cross Talk	CT	-	85	-	dB	$f=1kHz, A_V=1$

8. TEST CIRCUIT

- Supply Current, Input Offset Voltage, Input Offset Current, Input Bias Current

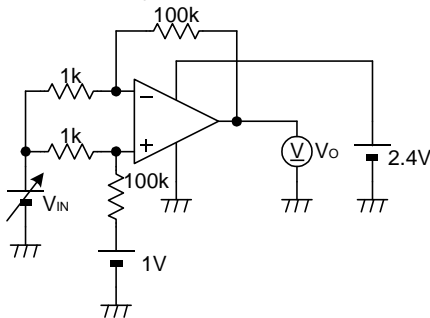


$$V_{IO} = |V'_{IO}|$$

$$I_{IO} = |I_{IB+} - I_{IB-}|$$

$$I_{IB} = \frac{I_{IB+} + I_{IB-}}{2}$$

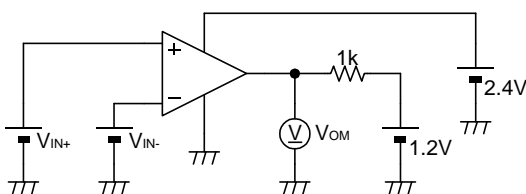
- Common-Mode Rejection Ratio, Common-Mode Input Voltage Range



$$CMRR = 20 \log \left(101 \times \left| \frac{\Delta V_{IN}}{\Delta V_O} \right| \right)$$

$$V_{ICMR} : CMRR > 60dB$$

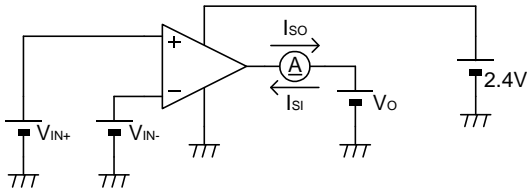
- Maximum Output Voltage



$$V_{OM+} : V_{IN+} = 1.2V, V_{IN-} = 0.8V$$

$$V_{OM-} : V_{IN+} = 0.8V, V_{IN-} = 1.2V$$

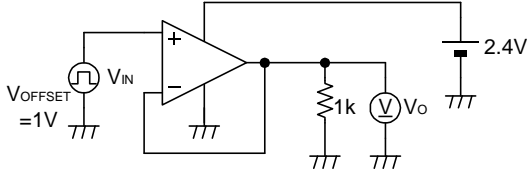
• Source Current, Sink Current



$$I_{SO} : V_{IN+} = 1.2V, V_{IN-} = 0.8V, V_O = 0.8V$$

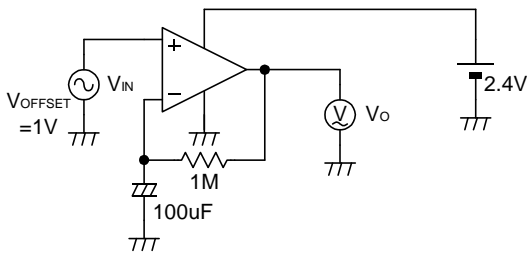
$$I_{SI} : V_{IN+} = 0.8V, V_{IN-} = 1.2V, V_O = 1.2V$$

• Slew Rate



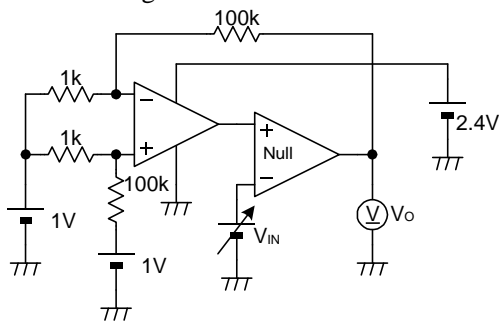
$$SR = \frac{\Delta V_O}{\Delta T_{RISE}}$$

• Gain-Bandwidth Product



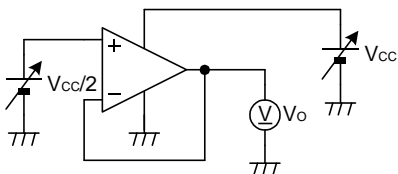
$$GB = \frac{V_O(f_T)}{V_{IN}(f_T)} \times f_T$$

• Open Circuit Voltage Gain



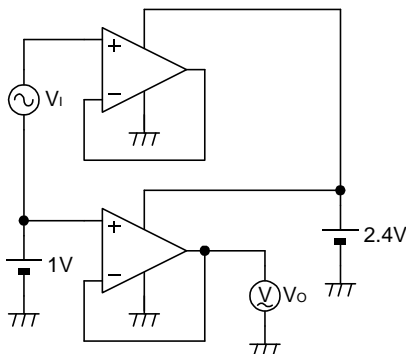
$$G_{VO} = 20 \log \left(101 \times \frac{-\Delta V_{IN}}{\Delta V_O} \right)$$

• Supply Voltage Rejection Ratio



$$SVRR = 20 \log \frac{\Delta V_{CC}}{\Delta V_O}$$

• Cross Talk

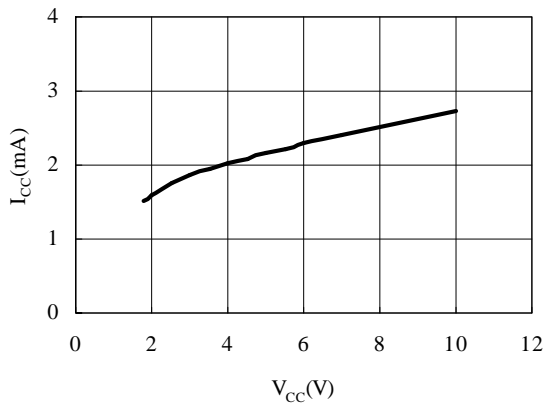


$$CT = 20 \log \frac{\Delta V_I}{\Delta V_O}$$

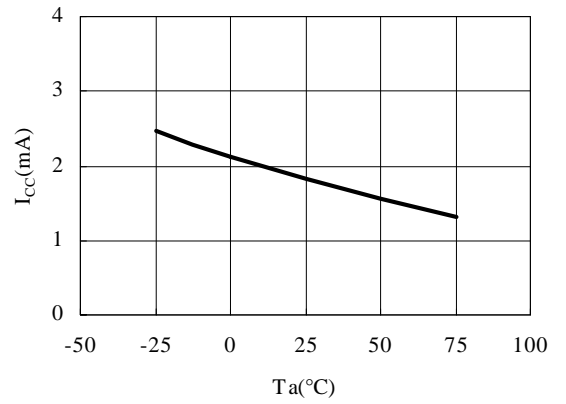
9. TYPICAL CHARACTERISTICS

(Ta=25°C, Vcc=2.4V)

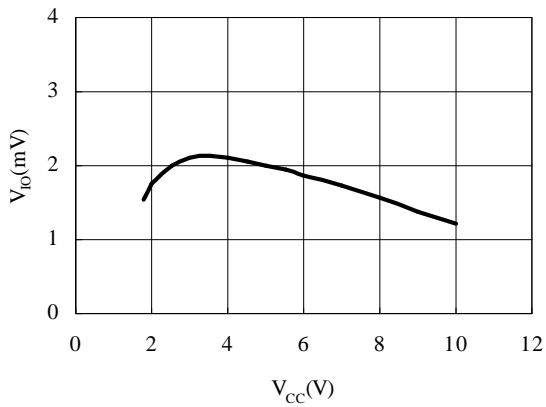
• Supply Current vs. Supply Voltage



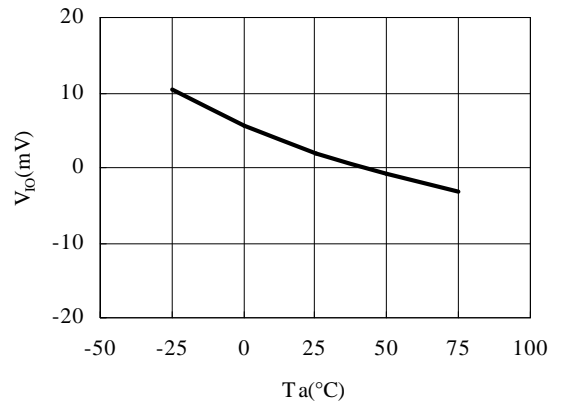
• Supply Current vs. Temperature



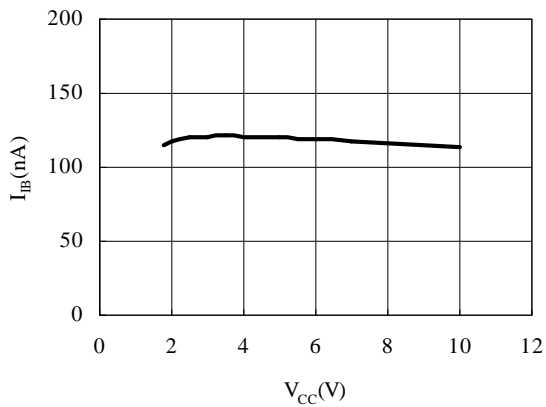
• Input Offset Voltage vs. Supply Voltage



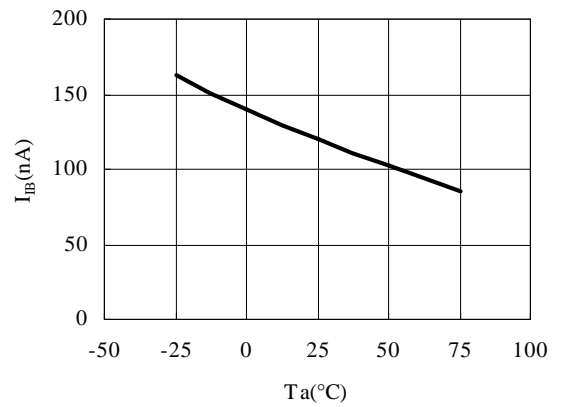
• Input Offset Voltage vs. Temperature



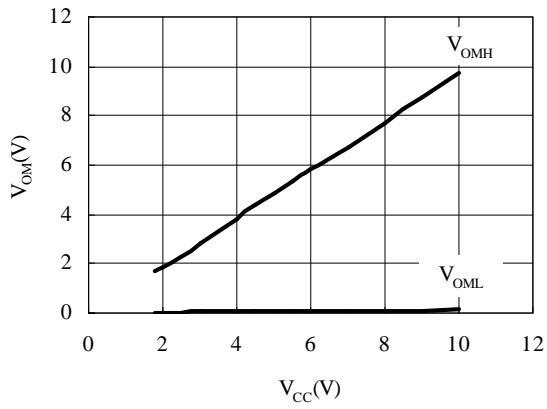
• Input Bias Current vs. Supply Voltage



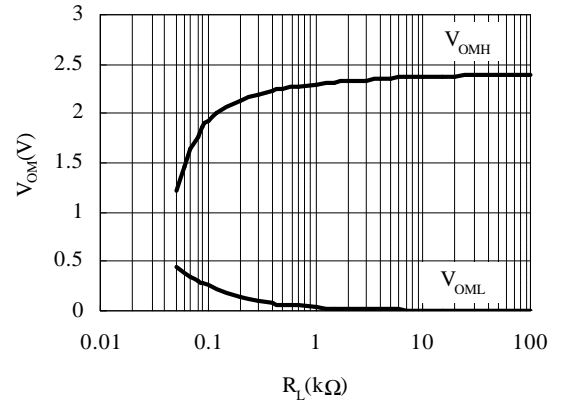
• Input Bias Current vs. Temperature



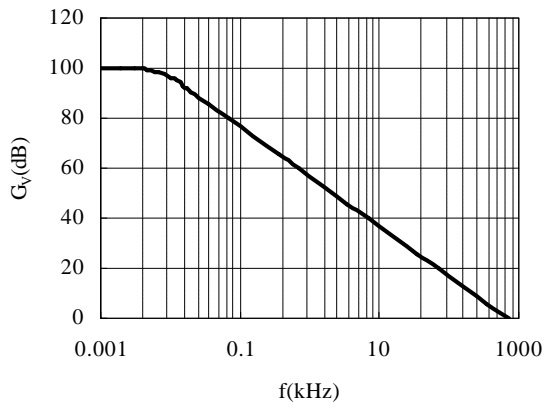
- Maximum Output Voltage vs. Supply Voltage
($R_L=1k\Omega$)



- Maximum Output Voltage vs. Load Resistance
($V_{CC}=2.4V$)



- Open Circuit Voltage Gain vs. frequency



10. PIN DESCRIPTION

Pin No.	Pin Description	Internal Equivalent Circuit	Description
1 4	A-IN B-IN		Inverting Input Terminal.
2 3	A+IN B+IN		Non-Inverting Input Terminal.
5 8	BOUT AOUT		Output terminal. Please connect a 0.022μF capacitor to this terminal to prevent oscillation.
6	GND		Ground Terminal
7	V _{CC}		Supply Voltage Terminal

11. NOTES

■ Please be sure that you carefully discuss your planned purchase with our office if you intend to use the products in this application manual under conditions where particularly extreme standards of reliability are required, or if you intend to use products for applications other than those listed in this application manual.

- Power drive products for automobile, ship or aircraft transport systems; steering and navigation systems, emergency signal communications systems, and any system other than those mentioned above which include electronic sensors, measuring, or display devices, and which could cause major damage to life, limb or property if misused or failure to function.

- Medical devices for measuring blood pressure, pulse, etc., treatment units such as coronary pacemakers and heat treatment units, and devices such as artificial organs and artificial limb systems which augment physiological functions.

- Electrical instruments, equipment or systems used in disaster or crime prevention.

■ Semiconductors, by nature, may fail or malfunction in spite of our devotion to improve product quality and reliability. We urge you to take every possible precaution against physical injuries, fire or other damages which may cause failure of our semiconductor products by taking appropriate measures, including a reasonable safety margin, malfunction preventive practices and fire-proofing when designing your products.

■ This application manual is effective from Nov 2001. Note that the contents are subject to change or discontinuation without notice. When placing orders, please confirm specifications and delivery condition in writing.

■ TOKO is not responsible for any problems nor for any infringement of third party patents or any other intellectual property rights that may arise from the use or method of use of the products listed in this application manual. Moreover, this application manual does not signify that TOKO agrees implicitly or explicitly to license any patent rights or other intellectual property rights which it holds.

■ None of ozone depleting substances (ODS) under the Montreal Protocol is used in manufacturing process of us.

12. OFFICES

If you need more information on this product and other TOKO products, please contact us.

■ TOKO Inc. Headquarters
 1-17, Higashi-yukigaya 2-chome, Ohta-ku, Tokyo,
 145-8585, Japan
 TEL: +81.3.3727.1161
 FAX: +81.3.3727.1176 or +81.3.3727.1169
 Web site: <http://www.toko.co.jp/>

■ TOKO America
 Web site: <http://www.toko.com/>

■ TOKO Europe
 Web site: <http://www.tokoeurope.com/>

■ TOKO Hong Kong
 Web site: <http://www.toko.com.hk/>

■ TOKO Taiwan
 Web site: <http://www.tokohc.com.tw/>

■ TOKO Singapore
 Web site: <http://www.toko.com.sg/>

■ TOKO Seoul
 Web site: <http://www.toko.co.kr/>

■ TOKO Manila
 Web site: <http://www.toko.com.ph/>

■ TOKO Brazil
 Web site: <http://www.toko.com.br/>



TO BUILD THE QUALITY RELIED BY COSTOMERS
Semiconductor Division

YOUR DISTRIBUTOR