

SPECIFICATIONS

Mechanical

Mating Force: 3.50Kg(7.71Lb) max.
Unmating Force: 1.00Kg(2.20Lb)
Durability: 1500Cycles

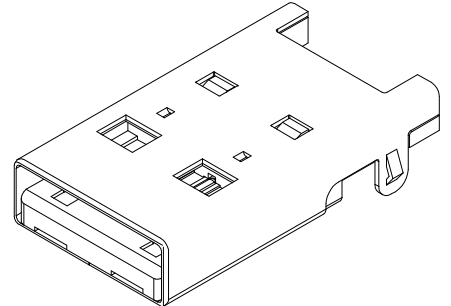
Electrical

Current Rating: 1.5A
Contact Resistance: 30mW max.
Dielectric Withstanding Voltage: 500V AC/1min min.
Insulation Resistance: 1000MW min.

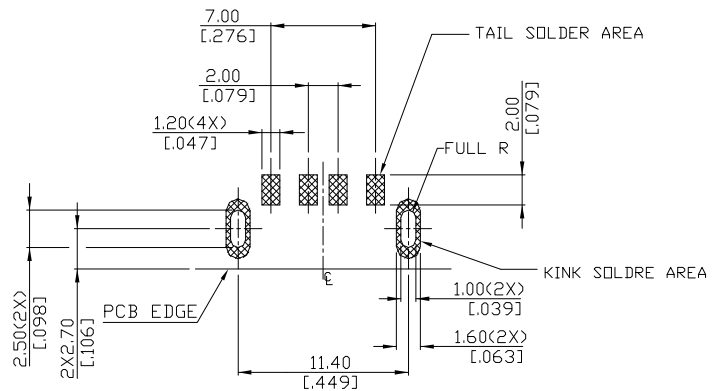
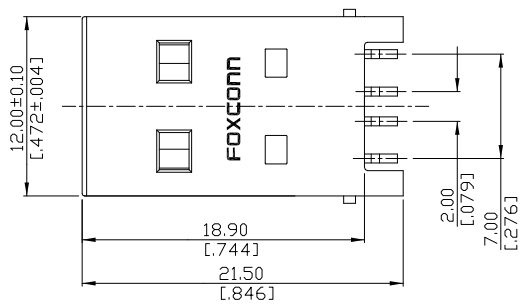
Physical

Housing: Thermoplastic, UL 94V-0 rated
Contact and Shell: Copper alloy
Plating: See "ORDERING INFORMATION"
Operating Temperature: -55 to +85

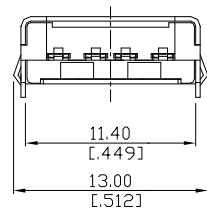
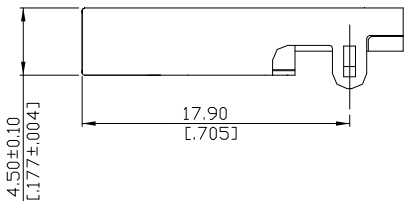
UB Series Plug
 Right Angle, T/H
 4 Pos



DRAWING



RECOMMENDED P.C.B. LAYOUT



ORDERING INFORMATION

PRODUCT NO.: **UB 2 0 1 0 3 -21-4 F**

SERIES PREFIX ———— UB= USB A TYPE

TERMINATION TYPE ———— 2= PLUG

CONTACT DESIGN TYPE ———— 0= MALE

NO. OF POS ———— 1= 4 POS

F=LEAD FREE

4=SOFT TRAY

MODIFICATION CODE

CONTACT AREA PLATED

3= 30u" GOLD PLATED

PROFILE HEIGHT

UB20103-21-4F	GOLD 30u" PLATED AT CONTACT AREA
P/N	PLATING