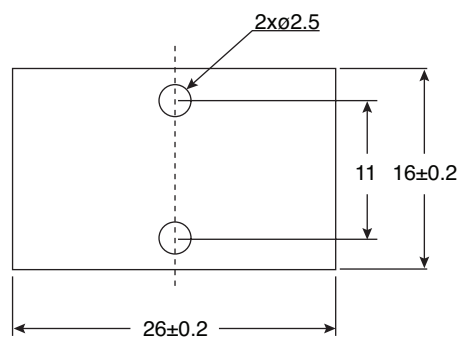
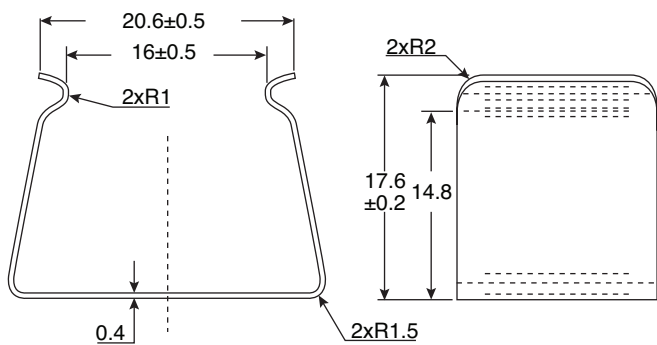
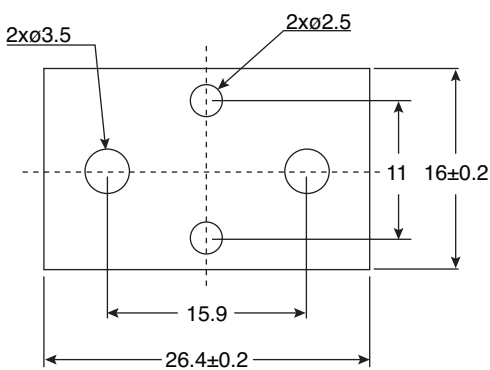
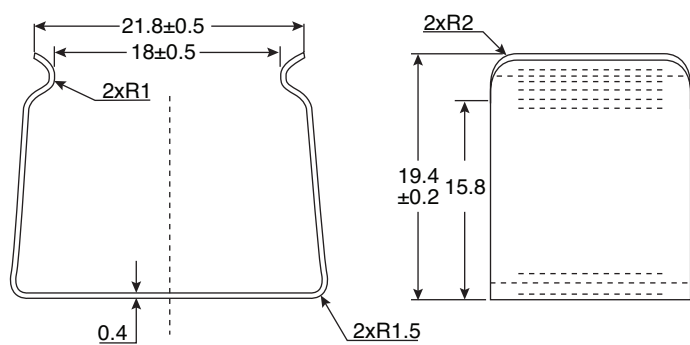


Date Last Revised: 6-16-06



12BH071-GR



12BH079-GR

Dimensions: mm (In.)

SPECIFICATIONS	
Material:	Steel
RoHS Compliant	

Available from Mouser Electronics
 1-800-346-6873
 www.mouser.com

EPD-200423