

**ASSEMBLY -
 TOGGLE SWITCH**

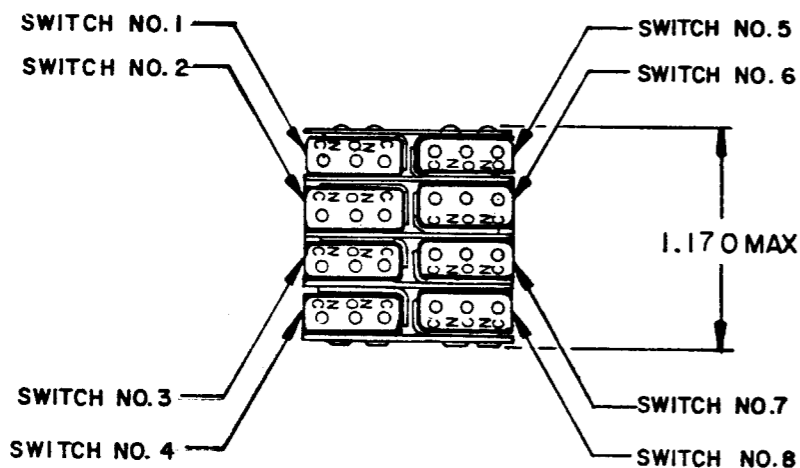
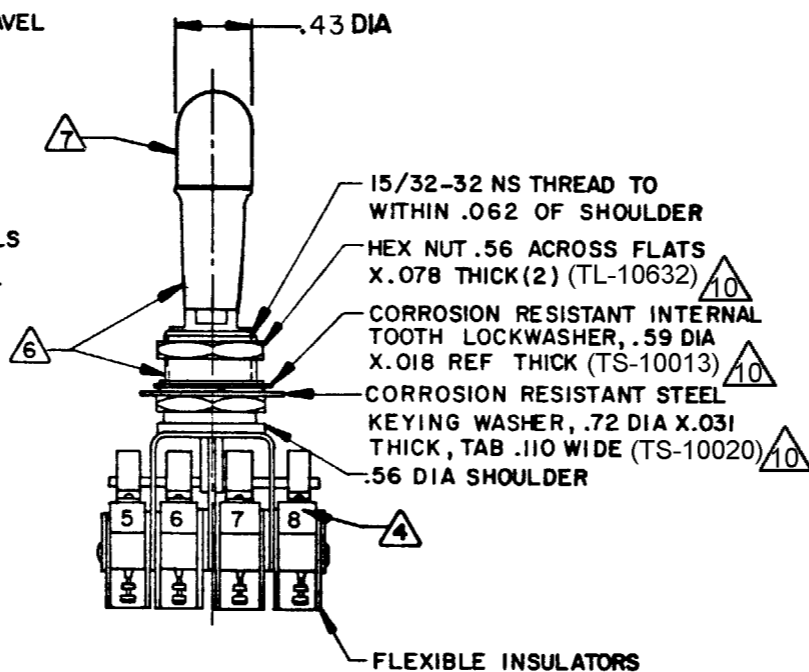
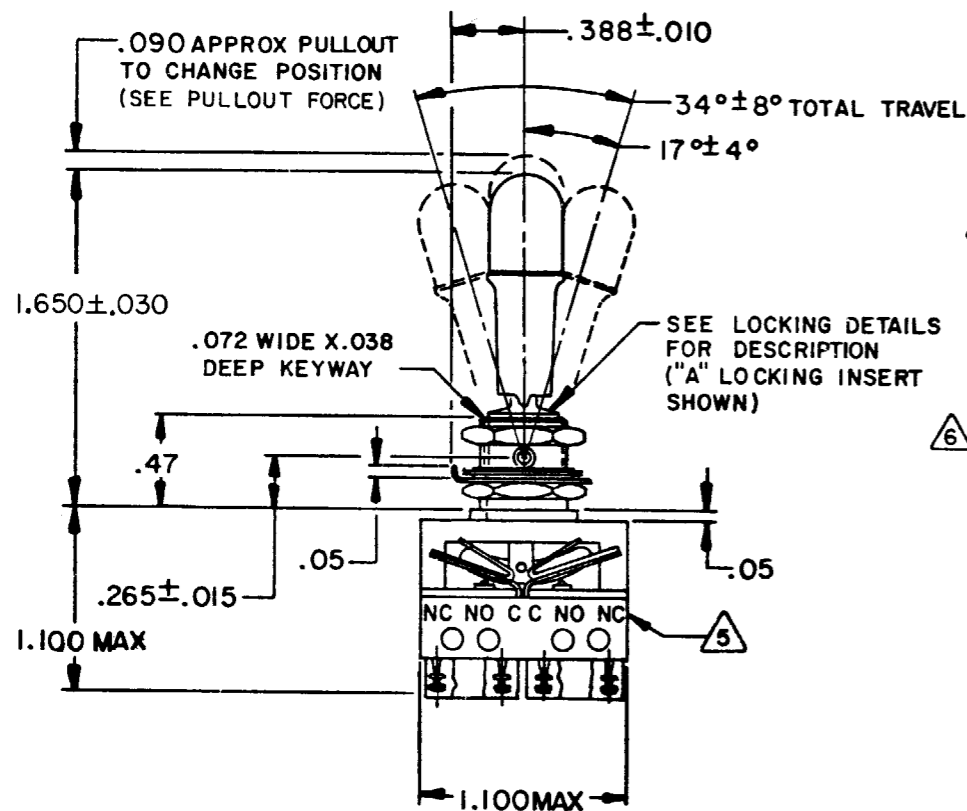
CATALOG LISTING
68AT11 SERIES
CHART 2

THIS DRAWING COVERS A PROPRIETARY ITEM AND IS THE PROPERTY OF MICRO SWITCH A DIVISION OF HONEYWELL. THIS DRAWING IS NOT TO BE COPIED OR USED WITHOUT THE APPROVAL OF MICRO SWITCH.

CATALOG LISTING [ⓑ]	KEYWAY POSITION		CENTER POSITION		OPPOSITE KEYWAY POSITION		RECOMMENDED LOCKING COMBINATIONS
	C-NO	C-NC	C-NO	C-NC	C-NO	C-NC	
68AT11-1	5,6,7,8	1,2,3,4	NONE	ALL	1,2,3,4	5,6,7,8	A,B,D,E,F,G,H,J,K,L,M,N,P
68AT11-3	5,6,7,8	1,2,3,4	NONE	NONE	1,2,3,4	5,6,7,8	D,F,G
68AT11-5	5,6,7,8	1,2,3,4*	NONE	ALL	1,2,3,4	5,6,7,8	E,F,K,L,M,N
68AT11-7	5,6,7,8*	1,2,3,4*	NONE	ALL	1,2,3,4*	5,6,7,8*	E,L,N

* ASTERISK DENOTES MOMENTARY POSITION

"A" LOCKED IN THREE POSITIONS	"B" LOCKED IN CENTER AND EXTREME POSITION (KEYWAY SIDE)	"D" LOCKED OUT OF CENTER POSITION	"E" LOCKED IN CENTER POSITION	"F" LOCKED IN EXTREME POSITION (OPPOSITE KEYWAY)	"G" LOCKED IN EXTREME POSITION (KEYWAY SIDE)
"H" LOCKED OUT OF CENTER AND EXTREME POSITION (KEYWAY SIDE)	"J" LOCKED OUT OF CENTER AND EXTREME POSITION (OPPOSITE KEYWAY)	"K" LOCKED IN CENTER AND EXTREME POSITION (OPPOSITE KEYWAY)	"L" LOCKED OUT OF EXTREME POSITION (KEYWAY SIDE)	"M" LOCKED OUT OF AND INTO EXTREME POSITION (OPPOSITE KEYWAY)	"N" LOCKED OUT OF EXTREME POSITION (OPPOSITE KEYWAY)
"P" LOCKED OUT OF AND INTO EXTREME POSITION (KEYWAY SIDE)					



NOTES

- UNIT INCLUDES "SX" TYPE BASIC SWITCH (8) (MEETS REQUIREMENTS OF MIL-S-6743)
- SWITCHES DO NOT NECESSARILY OPERATE SIMULTANEOUSLY
- TERMINALS ARE PLATED FOR SOLDERING
- SWITCH NUMBERS STAMPED ON END OF BASIC SWITCHES
- TERMINAL DESIGNATION STAMPED ON BOTH SIDES OF UNIT
- DULL FINISH ON LEVER AND BUSHING
- FLAT WHITE RESILIENT SILICONE (50 DUROMETER APPROX)
- SUFFIX LETTER MUST BE ADDED FOR DESIRED TYPE TOGGLE LOCKING (SEE CHART FOR RECOMMENDED LOCKING COMBINATIONS)
- FOR REPLACEMENT BUTTON SEE MICRO SWITCH CATALOG LISTING 15PA90-6W
- HARDWARE FURNISHED ASSEMBLED WITH SWITCH OR IN PACKET 15PA313-AT PER MIL-PRF-8805
- REPLACEMENT MOUNTING HARDWARE PACKET 15PA313-AT

CHARACTERISTICS	ELECTRICAL DATA	SCALE FULL
PULLOUT FORCE - - - - - 3 LB MIN - 5 LB MAX	CONTACT ARRANGEMENT S P D T (8)	DO NOT SCALE PRINT
		UNLESS OTHERWISE NOTED
		DIMENSIONS ARE IN INCHES
		TOLERANCES ARE:
		ONE PLACE .01 ± .030
		TWO PLACE .001 ± .015
		THREE PLACE .0001 ± .005
		ANGLES ±
		WEIGHT, 11 LB APPROX

LOAD	ELECTRICAL RATINGS		
	SEA LEVEL		50,000 FT
	28 Vdc (AMPERES)	115 Vac, 60 Hz (AMPERES)	28 Vdc (AMPERES)
RESISTIVE	7	7	4
INDUCTIVE	4	7	2.5

CATALOG LISTING
68AT11 SERIES CHART 2
 PAGE 1 OF 1
 ISSUE **M**
12
 RELEASE NO. PR-8344
 REPLACES
 CHECK
 REVISIONS
 A NEW DWG
 S L B 5 OCT 78
 B PR 8344
 T M M 15 DEC 79
 C 0072702
 L J F 9 JUN 92
 D 203961
 CSL 20 SEP 01
 E 204763
 G J W 28 JAN 02
 CHECK
 DRAWN
 S L B 5 OCT 78
 RASTER
 FO-92851