

BLS102SURC-A110

HYPER RED

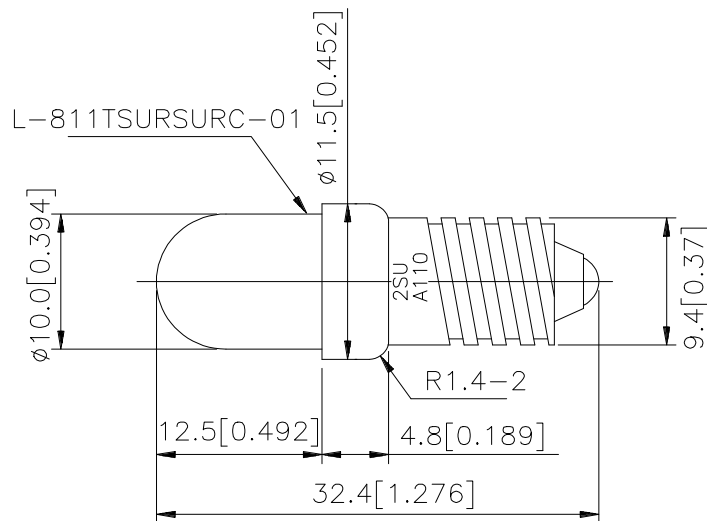
Features

- BUILT-IN HIGH VOLTAGE CAPACITANCE FOR DIRECT APPLICATION OF DIFFERENT ACROSS VOLTAGE.
- LONG LIFE.
- LOW CURRENT, POWER SAVINGS.
- LOW MAINTENANCE.
- DIFFERENT COLOR AVAILABLE.
- HIGH TEMPERATURE, HIGH VOLTAGE CAPACITANCE.
- AC110V INTERNAL CAPACITANCE.
- RoHS COMPLIANT.

Description

The Hyper Red source color devices are made with DH InGaAlP on GaAs substrate Light Emitting Diode.

Package Dimensions



Notes:

1. All dimensions are in millimeters (inches).
2. Tolerance is ± 0.25 (0.01") unless otherwise noted.
3. Specifications are subject to change without notice.

Selection Guide

Part No.	Dice	Lens Type	Iv (mcd) V _{AC} =110V		Viewing Angle
			Min.	Typ.	2 θ 1/2
BLS102SURC-A110	HYPERS RED (InGaAlP)	WATER CLEAR	380	1400	25°

Note:

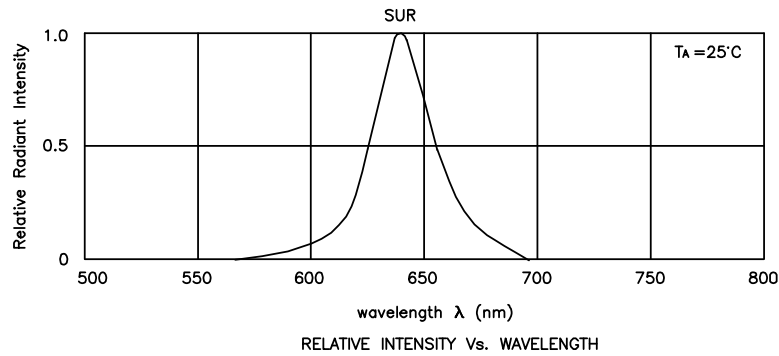
1. θ1/2 is the angle from optical centerline where the luminous intensity is 1/2 the optical centerline value.

Electrical / Optical Characteristics at T_A=25°C

Symbol	Parameter	Device	Typ.	Max.	Units	Test Conditions
λ _{peak}	Peak Wavelength	Hyper Red	640		nm	V _{AC} =110V
λ _D	Dominant Wavelength	Hyper Red	628		nm	V _{AC} =110V
Δλ _{1/2}	Spectral Line Half-width	Hyper Red	27		nm	V _{AC} =110V
I _{AC}	AC Current	Hyper Red	18		mA	V _{AC} =110V

Absolute Maximum Ratings at T_A=25°C

Parameter	Hyper Red	Units
Power dissipation	2300	mW
AC Voltage	130	V
Operating Temperature	-40°C To +70°C	
Storage Temperature	-40°C To +85°C	



Hyper Red

BLS102SURC-A110

