

February 1998

Fast CMOS 16-Bit Buffer/Line Drivers

Features

- Advanced 0.6 micron CMOS Technology
- These Devices Are High-speed, Low Power Devices with High Current Drive
- $V_{CC} = 5V \pm 10\%$
- Hysteresis on All Inputs
- CD74FCT16244T
 - High Output Drive: $I_{OH} = -32mA$; $I_{OL} = 64mA$
 - Power Off Disable Outputs Permit "Live Insertion"
 - Typical V_{OLP} (Output Ground Bounce) $< 1.0V$ at $V_{CC} = 5V$, $T_A = 25^\circ C$
- CD74FCT162244T
 - Balanced Output Drivers: $\pm 24mA$
 - Reduced System Switching Noise
 - Typical V_{OLP} (Output Ground Bounce) $< 0.6V$ at $V_{CC} = 5V$, $T_A = 25^\circ C$
- CD74FCT162H244T
 - Bus Hold Retains Last Active Bus State During Three-State
 - Eliminates the Need for External Pull-up Resistors

Description

These devices are non-inverting 16-bit buffer/line drivers designed for applications driving high capacitance loads and low impedance backplanes. These high-speed, low power devices offer bus/backplane interface capability and a flow-through organization for ease of board layout. They are designed with three-state controls to operate in a Quad-Nibble, Dual-Byte, or a single 16-bit word mode.

The CD74FCT16244T output buffers are designed with a Power-Off disable allowing "live insertion" of boards when used as backplane drivers.

The CD74FCT162244T has $\pm 24mA$ balanced output drivers. It is designed with current limiting resistors at its outputs to control the output edge rate resulting in lower ground bounce and undershoot. This eliminates the need for external terminating resistors for most interface applications.

The CD74FCT162H244T has "Bus Hold" which retains the input's last state whenever the input goes to high-impedance preventing "floating" inputs and eliminating the need for pull-up/down resistors.

Ordering Information

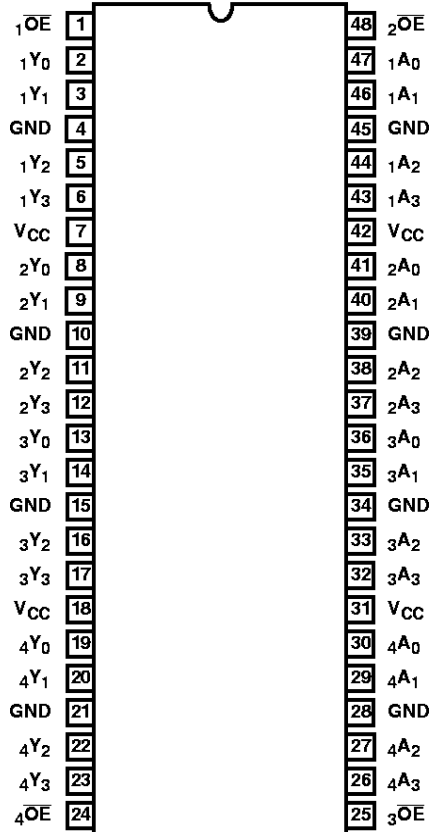
PART NUMBER	TEMP. RANGE (°C)	PACKAGE	PKG. NO.
CD74FCT16244ATMT	-40 to 85	48 Ld TSSOP	M48.240-P
CD74FCT16244ATSM	-40 to 85	48 Ld SSOP	M48.300-P
CD74FCT16244CTMT	-40 to 85	48 Ld TSSOP	M48.240-P
CD74FCT16244CTSM	-40 to 85	48 Ld SSOP	M48.300-P
CD74FCT16244DTMT	-40 to 85	48 Ld TSSOP	M48.240-P
CD74FCT16244DTSM	-40 to 85	48 Ld SSOP	M48.300-P
CD74FCT16244ETMT	-40 to 85	48 Ld TSSOP	M48.240-P
CD74FCT16244ETSM	-40 to 85	48 Ld SSOP	M48.300-P
CD74FCT16244TMT	-40 to 85	48 Ld TSSOP	M48.240-P
CD74FCT16244TSM	-40 to 85	48 Ld SSOP	M48.300-P
CD74FCT162244ATMT	-40 to 85	48 Ld TSSOP	M48.240-P
CD74FCT162244ATSM	-40 to 85	48 Ld SSOP	M48.300-P
CD74FCT162244CTMT	-40 to 85	48 Ld TSSOP	M48.240-P
CD74FCT162244CTSM	-40 to 85	48 Ld SSOP	M48.300-P
CD74FCT162244DTMT	-40 to 85	48 Ld TSSOP	M48.240-P
CD74FCT162244DTSM	-40 to 85	48 Ld SSOP	M48.300-P
CD74FCT162244ETMT	-40 to 85	48 Ld TSSOP	M48.240-P
CD74FCT162244ETSM	-40 to 85	48 Ld SSOP	M48.300-P
CD74FCT162244TMT	-40 to 85	48 Ld TSSOP	M48.240-P
CD74FCT162244TSM	-40 to 85	48 Ld SSOP	M48.300-P
CD74FCT162H244ATMT	-40 to 85	48 Ld TSSOP	M56.240-P
CD74FCT162H244ATSM	-40 to 85	48 Ld SSOP	M56.300-P
CD74FCT162H244CTMT	-40 to 85	48 Ld TSSOP	M56.240-P
CD74FCT162H244CTSM	-40 to 85	48 Ld SSOP	M56.300-P
CD74FCT162H244DTMT	-40 to 85	48 Ld TSSOP	M56.240-P
CD74FCT162H244DTSM	-40 to 85	48 Ld SSOP	M56.300-P
CD74FCT162H244ETMT	-40 to 85	48 Ld TSSOP	M56.240-P
CD74FCT162H244ETSM	-40 to 85	48 Ld SSOP	M56.300-P
CD74FCT162H244TMT	-40 to 85	48 Ld TSSOP	M56.240-P
CD74FCT162H244TSM	-40 to 85	48 Ld SSOP	M56.300-P

NOTE: When ordering, use the entire part number. Add the suffix 96 to obtain the variant in the tape and reel.

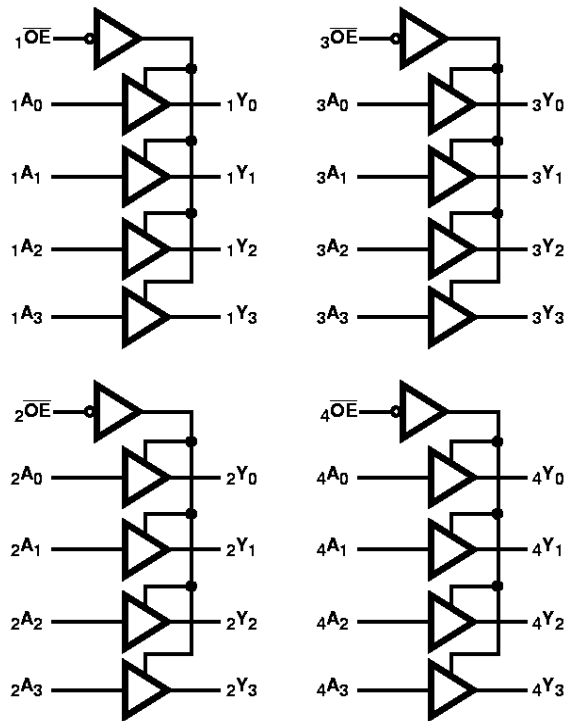
CD74FCT16244T, CD74FCT162244T, CD74FCT162H244T

Pinout

CD74FCT16244T, CD74FCT162244T, CD74FCT162H244T
(SSOP, TSSOP)



Functional Block Diagram



TRUTH TABLE (NOTE 1)

INPUTS		OUTPUTS
$x\overline{OE}$	xA_x	xY_x
L	L	L
L	H	H
H	X	Z

NOTE:

- 1. H = High Voltage Level
- L = Low Voltage Level
- X = Don't Care
- Z = High Impedance

Pin Descriptions

PIN NAME	DESCRIPTION
$x\overline{OE}$	Three-State Output Enable Inputs (Active LOW)
xA_x	Inputs (Note 2)
xY_x	Three-State Outputs
GND	Ground
VCC	Power

NOTE:

- 2. For the CD74FCT162H244T, these pins have "Bus Hold". All other pins are standard, outputs, or I/Os.

CD74FCT16244T, CD74FCT162244T, CD74FCT162H244T

Absolute Maximum Ratings

DC Input Voltage -0.5V to 7.0V
 DC Output Current 120mA

Operating Conditions

Operating Temperature Range -40°C to 85°C
 Supply Voltage to Ground Potential
 Inputs and V_{CC} Only -0.5V to 7.0V
 Supply Voltage to Ground Potential
 Outputs and D/O Only -0.5V to 7.0V

Thermal Information

Thermal Resistance (Typical, Note 2) θ_{JA} (°C/W)
 TSSOP Package 94
 SSOP Package 76
 Maximum Junction Temperature 150°C
 Maximum Storage Temperature Range -65°C to 150°C
 Maximum Lead Temperature (Soldering 10s) 300°C
 (Lead Tips Only)

CAUTION: Stresses above those listed in "Absolute Maximum Ratings" may cause permanent damage to the device. This is a stress only rating and operation of the device at these or any other conditions above those indicated in the operational sections of this specification is not implied.

NOTE:

3. θ_{JA} is measured with the component mounted on an evaluation PC board in free air.

Electrical Specifications

PARAMETER	SYMBOL	(NOTE 4) TEST CONDITIONS	MIN	(NOTE 5) TYP	MAX	UNITS
DC ELECTRICAL SPECIFICATIONS Over the Operating Range, T _A = -40°C to 85°C, V _{CC} = 5.0V ±10%						
Input HIGH Voltage	V _{IH}	Guaranteed Logic HIGH Level	2.0	-	-	V
Input LOW Voltage	V _{IL}	Guaranteed Logic LOW Level	-	-	0.8	V
Input HIGH Current	I _{IH}	Standard Input (Note 7) V _{CC} = Max			1	μA
		V _{IN} = V _{CC}	-	-		
Input HIGH Current	I _{IH}	Standard I/O (Note 7) V _{CC} = Max			1	μA
		V _{IN} = V _{CC}	-	-		
Input HIGH Current	I _{IH}	Bus Hold Input (Note 8) V _{CC} = Max			±100	μA
		V _{IN} = V _{CC}	-	-		
Input HIGH Current	I _{IH}	Bus Hold I/O (Note 8) V _{CC} = Max			±100	μA
		V _{IN} = V _{CC}	-	-		
Input LOW Current	I _{IL}	Standard Input (Note 7) V _{CC} = Min			-1	μA
		V _{IN} = GND	-	-		
Input LOW Current	I _{IL}	Standard I/O (Note 7) V _{CC} = Min			-1	μA
		V _{IN} = GND	-	-		
Input LOW Current	I _{IL}	Bus Hold Input (Note 8) V _{CC} = Min			±100	μA
		V _{IN} = GND	-	-		
Input LOW Current	I _{IL}	Bus Hold I/O (Note 8) V _{CC} = Min			±100	μA
		V _{IN} = GND	-	-		
Bus Hold Sustain Current	I _{BHH}	Bus Hold Input (Note 8) V _{CC} = Min	V _{IN} = 2.0V	-50	-	μA
	I _{BHL}		V _{IN} = 0.8V	50	-	μA
High Impedance Output Current (Three-State) (Note 9)	I _{OZH}	V _{CC} = Max	V _{OUT} = 2.7V	-	1	μA
	I _{OZL}	V _{CC} = Max	V _{OUT} = 0.5V	-	-1	μA
Clamp Diode Voltage	V _{IK}	V _{CC} = Min, I _{IN} = -18mA	-	-0.7	-1.2	V
Short Circuit Current	I _{OS}	V _{CC} = Max (Note 5), V _{OUT} = GND	-80	-140	-200	mA
Output Drive Current	I _O	V _{CC} = Max (Note 5), V _{OUT} = 2.5V	-50	-	-180	mA
Input Hysteresis	V _H		-	100	-	mV

CD74FCT16244T, CD74FCT162244T, CD74FCT162H244T

Electrical Specifications (Continued)

PARAMETER	SYMBOL	(NOTE 4) TEST CONDITIONS	MIN	(NOTE 5) TYP	MAX	UNITS	
CD74FCT16244T OUTPUT DRIVE SPECIFICATIONS Over the Operating Range							
Output HIGH Voltage	V _{OH}	V _{CC} = Min, V _{IN} = V _{IH} or V _{IL}	I _{OH} = -3.0mA	2.5	3.5	-	V
			I _{OH} = -15.0mA	2.4	3.5	-	V
			I _{OH} = -32.0mA	2.0	3.0	-	V
Output LOW Voltage	V _{OL}	V _{CC} = Min, V _{IN} = V _{IH} or V _{IL}	I _{OL} = 64mA	-	0.2	0.55	V
Power Down Disable	I _{OFF}	V _{CC} = 0V, V _{IN} or V _{OUT} ≤ 4.5V		-	-	±100	μA
CD74FCT162244T, CD74FCT162H244T OUTPUT DRIVE SPECIFICATIONS Over the Operating Range							
Output HIGH Voltage	V _{OH}	V _{CC} = Min, V _{IN} = V _{IH} or V _{IL}	I _{OH} = -24.0mA	2.4	3.3	-	V
Output LOW Voltage	V _{OL}	V _{CC} = Min, V _{IN} = V _{IH} or V _{IL}	I _{OL} = 24mA	-	0.3	0.55	V
Output LOW Current	I _{ODL}	V _{CC} = 5V, V _{IN} = V _{IH} or V _{IL} , V _{OUT} = 1.5V (Note 6)		60	115	150	mA
Output HIGH Current	I _{ODH}	V _{CC} = 5V, V _{IN} = V _{IH} or V _{IL} , V _{OUT} = 1.5V (Note 6)		-60	-115	-150	mA
CAPACITANCE T _A = 25°C, f = 1MHz							
Input Capacitance (Note 10)	C _{IN}	V _{IN} = 0V	-	4.5	6		pF
Output Capacitance (Note 10)	C _{OUT}	V _{OUT} = 0V	-	5.5	8		pF
POWER SUPPLY SPECIFICATIONS							
Quiescent Power Supply Current	I _{CC}	V _{CC} = Max	V _{IN} = GND or V _{CC}	-	0.1	500	μA
Supply Current per Input at TTL HIGH	ΔI _{CC}	V _{CC} = Max	V _{IN} = 3.4V (Note 11)	-	0.5	1.5	mA
Supply Current per Input per MHz (Note 12)	I _{CCD}	V _{CC} = Max, Outputs Open χ _{OE} = GND One Bit Toggling 50% Duty Cycle	V _{IN} = V _{CC} V _{IN} = GND	-	60	100	μA/MHz
Total Power Supply Current (Note 14)	I _C	V _{CC} = Max, Outputs Open f _i = 10MHz, 50% Duty Cycle χ _{OE} = GND One Bit Toggling	V _{IN} = V _{CC} V _{IN} = GND	-	0.6	1.5 (Note 13)	mA
			V _{IN} = 3.4V V _{IN} = GND	-	0.9	2.3 (Note 13)	mA
		V _{CC} = Max, Outputs Open f _i = 2.5MHz 50% Duty Cycle χ _{OE} = GND 16 Bits Toggling	V _{IN} = V _{CC} V _{IN} = GND	-	2.4	4.5 (Note 13)	mA
			V _{IN} = 3.4V V _{IN} = GND	-	6.4	16.5 (Note 13)	mA

CD74FCT16244T, CD74FCT162244T, CD74FCT162H244T

Switching Specifications Over Operating Range

PARAMETER	SYMBOL	(NOTE 15) TEST CONDITIONS	T		AT		CT		DT		ET		UNITS
			(NOTE 16) MIN	MAX	(NOTE 16) MIN	MAX	(NOTE 16) MIN	MAX	(NOTE 16) MIN	MAX	(NOTE 16) MIN	MAX	
Propagation Delay XAX to $X'YX$	t_{PLH} , t_{PHL}	$C_L = 50pF$ $R_L = 500\Omega$	1.5	6.5	1.5	4.8	1.5	4.1	1.5	3.8	1.5	3.2	ns
Output Enable Time XOE to XAX or $X'YX$	t_{PZH} , t_{PZL}		1.5	8.0	1.5	6.2	1.5	5.8	1.5	4.8	1.5	4.4	ns
Output Disable Time (Note 17) XOE to XAX or $X'YX$	t_{PHZ} , t_{PLZ}		1.5	7.0	1.5	5.6	1.5	5.2	1.5	4.0	1.5	3.6	ns
Output Skew (Note 18)	$t_{SK(O)}$		-	0.5	-	0.5	-	0.5	-	0.5	-	0.5	ns

NOTES:

4. For conditions shown as Max or Min, use appropriate value specified under Electrical Specifications for the applicable device type.
5. Typical values are at $V_{CC} = 5.0V$, $25^\circ C$ ambient and maximum loading, except as noted.
6. Not more than one output should be shorted at one time. Duration of the test should not exceed one second.
7. The test limit for this parameter is $\pm 5\mu A$ at $T_A = -55^\circ C$.
8. Pins with Bus Hold are identified in the pin description.
9. This specification does not apply to bidirectional functionalities with Bus Hold.
10. This parameter is determined by device characterization but is not production tested.
11. Per TTL driven input ($V_{IN} = 3.4V$); all other inputs at V_{CC} or GND.
12. This parameter is not directly testable, but is derived for use in Total Power Supply Calculations.
13. Values for these conditions are examples of the I_{CC} formula. These limits are guaranteed but not tested.
14. $I_C = I_{QUIESCENT} + I_{INPUTS} + I_{DYNAMIC}$
 $I_C = I_{CC} + \Delta I_{CC} D_H N_T + I_{CCD} (f_{CP}/2 + f_I N_I)$
 I_{CC} = Quiescent Current
 ΔI_{CC} = Power Supply Current for a TTL High Input ($V_{IN} = 3.4V$)
 D_H = Duty Cycle for TTL Inputs High
 N_T = Number of TTL Inputs at D_H
 I_{CCD} = Dynamic Current Caused by an Input Transition Pair (HLH or LHL)
 f_{CP} = Clock Frequency for Register Devices (Zero for Non-Register Devices)
 f_I = Input Frequency
 N_I = Number of Inputs at f_I
 All currents are in milliamps and all frequencies are in megahertz.
15. See test circuit and wave forms.
16. Minimum limits are guaranteed but not tested on Propagation Delays.
17. This parameter is guaranteed but not production tested.
18. Skew between any two outputs, of the same package, switching in the same direction. This parameter is guaranteed by design.