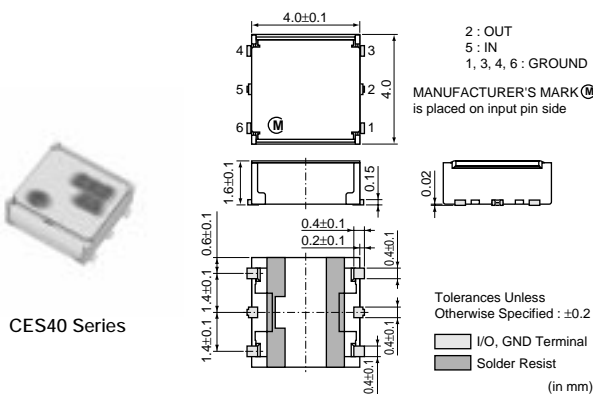
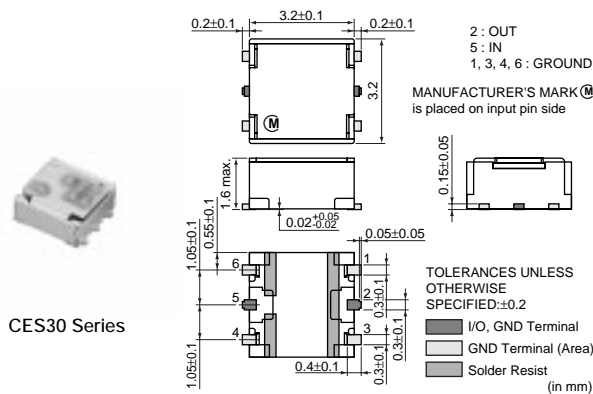
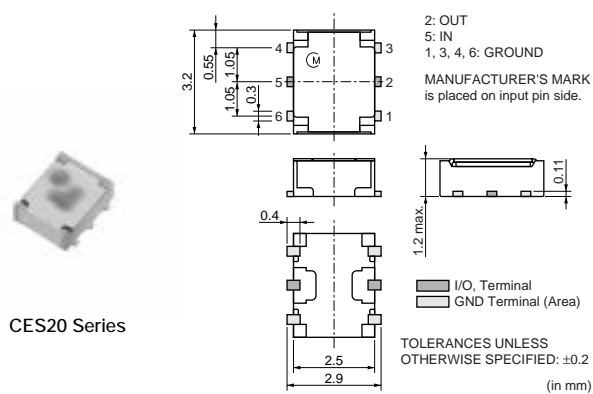
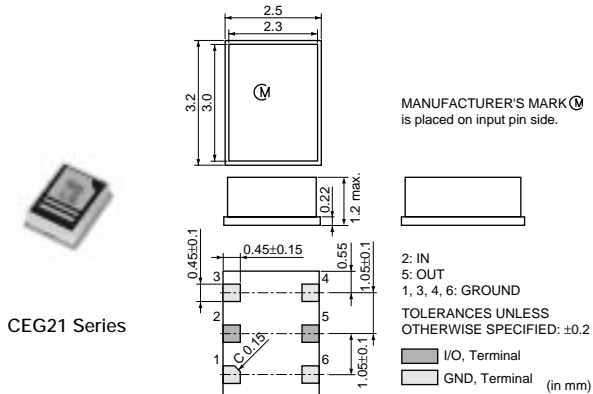


Isolators



Part Number	F _o (MHz)	IL at BW (max.) (dB)	Isolation (min.) (dB)	Rating Power (max.) (W)
CEG21827MBCB000	827	0.6	13	2.5
CEG21835MCCB000	835	0.6	13	2.5
CEG21836MDCB000	836.5	0.6	11	2.5
CEG21874MFCB000	874.5	0.7	4.5	2.5
CEG21911MDCB000	911.5	0.6	10	2.5
CES201G76CCB000	1767.5	0.61	13	2.5
CES201G88DCB000	1880	0.63	13	2.5
CES201G95DCB000	1950	0.6	13	2.5
CES301G44CCB000	1441	0.64	12.5	2.5
CES301G45CCB000	1453.5	0.64	12	2.5
CES301G76CCB000	1765	0.7	12	2.5
CES301G88DCB000	1880	0.64	13	2.5
CES301G90CCB000	1900	0.62	14.5	2.5
CES301G95DCB000	1950	0.6	13	2.5
CES40836MDCB000	836.5	0.75	10.5	2.5
CES40897MDCB000	897.5	0.75	10	2.5
CES40906MDCB000	906	0.78	10	2.5