

ALL PLASTIC RIGHT ANGLE FEMALE RECEPTACLES

.087" (SHORT) TAIL LENGTH



PHYSICAL PROPERTIES

INSULATION MATERIAL: Glass filled thermoplastic rated UL 94V-0
COLOR: Black
CONTACTS: High strength copper alloy
DURABILITY: Up to 500 insertions and withdrawals without degradation of performance, dependent upon contact plating thickness selected

ELECTRICAL PROPERTIES

OPERATING VOLTAGE: 600 VDC (sea level)
CURRENT RATING: 5 Amperes
CONTACT RESISTANCE: 10 milliohms max. @ rated current
INSULATION RESISTANCE: 5000 megohms minimum
DIELECTRIC WITHSTANDING VOLTAGE: 1000 VAC minimum

ENVIRONMENTAL PROPERTIES

TEMPERATURE RATING: -55°C TO 125°C

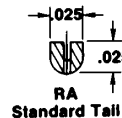
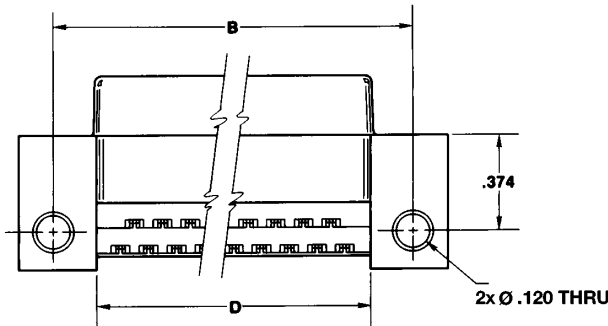
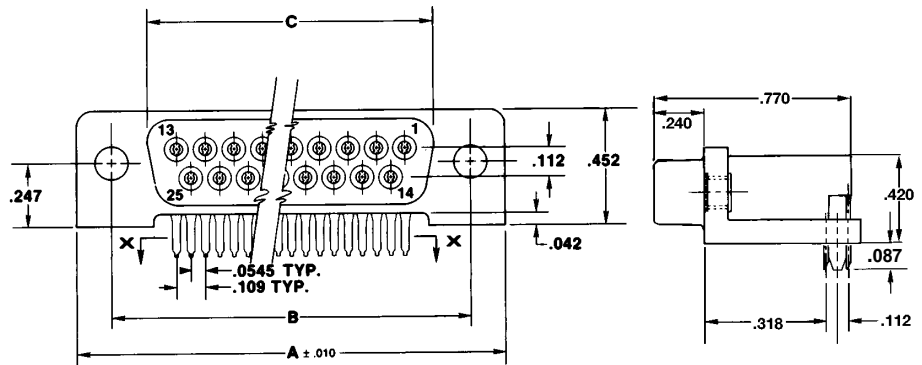
MOUNTING HARDWARE

Passivated stainless steel

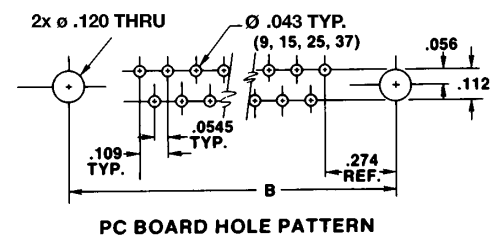
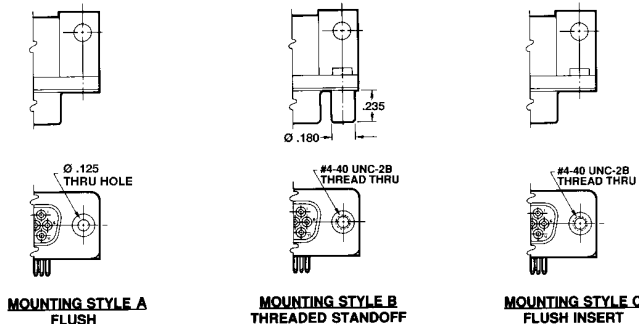
PART NUMBER: 187500110202

Included In Assembly: (2) #4 Flat Washers
 (1) #4 Lock Washers
 (1) #4-40 Nut

Connector Sold Separately



TAIL SECTION (X-X)



Ordering Information

| NUMBER OF CONTACTS | BASIC CONNECTOR W/THRU HOLES | CATALOG NUMBER BY MOUNTING STYLE | | | DIMENSIONS | | | |
|--------------------|------------------------------|----------------------------------|--------------------------|--|------------|-------|-------|-------|
| | | ROUND STANDOFF 4-40 THREAD | FLUSH INSERT 4-40 THREAD | | A | B | C | D |
| 9 | H3R09RA29A*M87 | H3R09RA29B*M87 | H3R09RA29C*M87 | | 1.224 | .984 | .646 | .624 |
| 15 | H3R15RA29A*M87 | H3R15RA29B*M87 | H3R15RA29C*M87 | | 1.552 | 1.312 | .974 | .952 |
| 25 | H3R25RA29A*M87 | H3R25RA29B*M87 | H3R25RA29C*M87 | | 2.092 | 1.852 | 1.514 | 1.492 |
| 37 | H3R37RA29A*M87 | H3R37RA29B*M87 | H3R37RA29C*M87 | | 2.740 | 2.500 | 2.162 | 2.140 |

*Insert S for metal PC board snap latches and P for plastic PC board latches.