

General Description

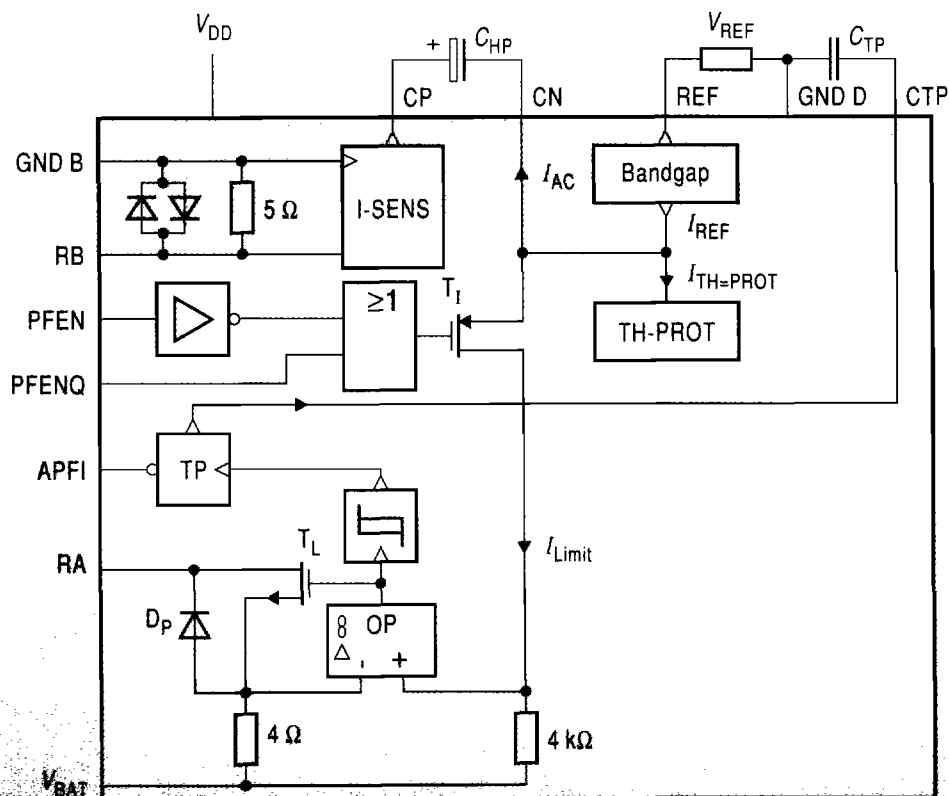
The IHPC is an integrated power controller especially designed for feeding two-wire ISDN-transmission lines. One line can be powered by one IHPC. An external resistor defines the value of the current-limit for the line. Powering can be switched on or off by the logic inputs "PFEN" and "PFENQ". With a logic low at the "APFI" output the IHPC signals that current-limiting is active; this signal is low-pass filtered. An external capacitor defines the corner frequency of this low-pass filter and the resulting delay time respectively. A second external capacitor is needed to make sure that longitudinal disturbance (AC) will not produce a current limiting effect. Line current-limiting and reducing this limiting level in case of overtemperature guards the IHPC against overloads.

Type

Type	Package
PEB 2026T-P	P-DSO-20-10 (SMD)
PEB 2026T-S	P-DSO-20-6 (SMD)
PEF 2026T-P	P-DSO-20-10 (SMD)
PEF 2026T-S	P-DSO-20-6 (SMD)

Features

- Battery voltage up to 130 V
- Supplies power for one transmission line
- Current limiting and chip temperature control
- Limiting current can be programmed by an external resistor
- Automatically reduced feeding current in case of overtemperature
- Reliable 170 V Smart Power Technology (SPT 170)
- Small P-DSO-20 package



1807375