

2A, 600V N-CHANNEL MOSFET

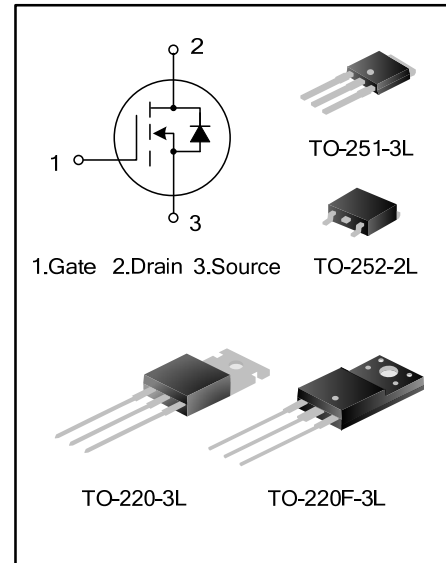
GENERAL DESCRIPTION

SVF2N60M/F/T/D is an N-channel enhancement mode power MOS field effect transistor which is produced using Silan proprietary F-cell™ structure DMOS technology. The improved planar stripe cell and the improved guard ring terminal have been especially tailored to minimize on-state resistance, provide superior switching performance, and withstand high energy pulse in the avalanche and commutation mode.

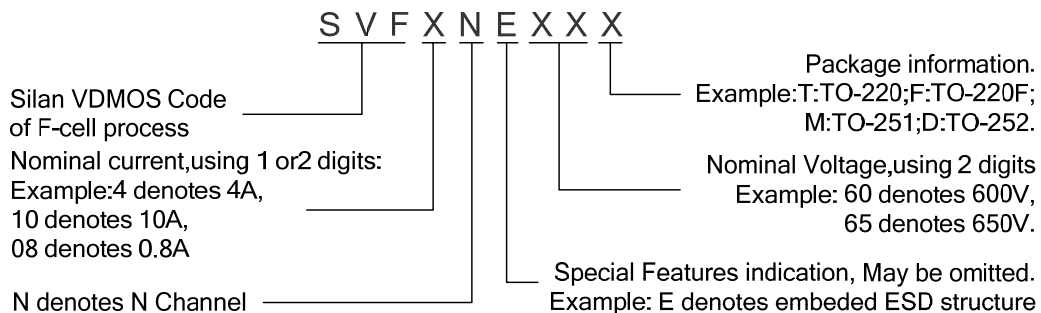
These devices are widely used in AC-DC power suppliers, DC-DC converters and H-bridge PWM motor drivers.

FEATURES

- * 2A,600V, $R_{DS(on)(typ.)}=3.7\Omega@V_{GS}=10V$
- * Low gate charge
- * Low Crss
- * Fast switching
- * Improved dv/dt capability



NOMENCLATURE



ORDERING SPECIFICATIONS

Part No.	Package Type	Marking	Material	Packing
SVF2N60M	TO-251-3L	SVF2N60M	Pb free	Tube
SVF2N60F	TO-220F-3L	SVF2N60F	Pb free	Tube
SVF2N60T	TO-220-3L	SVF2N60T	Pb free	Tube
SVF2N60D	TO-252-2L	SVF2N60D	Pb free	Tube
SVF2N60DTR	TO-252-2L	SVF2N60D	Pb free	Tape & Reel

ABSOLUTE MAXIMUM RATINGS ($T_C=25^{\circ}\text{C}$ unless otherwise noted)

Parameter	Symbol	Rating			Unit
		SVF2N60M/D	SVF2N60T	SVF2N60F	
Drain-Source Voltage	V_{DS}	600			V
Gate-Source Voltage	V_{GS}	± 30			V
Drain Current	I_D	2.0			A
Drain Current Pulsed	I_{DM}	8			A
Power Dissipation($T_C=25^{\circ}\text{C}$) -Derate above 25°C	P_D	34	44	23	W
		0.27	0.35	0.18	W/ $^{\circ}\text{C}$
Single Pulsed Avalanche Energy (Note 1)	E_{AS}	115			mJ
Operation Junction Temperature	T_J	$-55 \sim +150$			$^{\circ}\text{C}$
Storage Temperature	T_{stg}	$-55 \sim +150$			$^{\circ}\text{C}$

THERMAL CHARACTERISTICS

Parameter	Symbol	Rating			Unit
		SVF2N60M/D	SVF2N60T	SVF2N60F	
Thermal Resistance, Junction-to-Case	$R_{\theta JC}$	3.7	2.86	5.56	$^{\circ}\text{C}/\text{W}$
Thermal Resistance, Junction-to-Ambient	$R_{\theta JA}$	110	62.5	120	$^{\circ}\text{C}/\text{W}$

ELECTRICAL CHARACTERISTICS ($T_C=25^{\circ}\text{C}$ unless otherwise noted)

Parameter	Symbol	Test conditions	Min.	Typ.	Max.	Unit
Drain -Source Breakdown Voltage	$B_{V_{DSS}}$	$V_{GS}=0\text{V}, I_D=250\mu\text{A}$	600	--	--	V
Drain-Source Leakage Current	I_{DSS}	$V_{DS}=600\text{V}, V_{GS}=0\text{V}$	--	--	1.0	μA
Gate-Source Leakage Current	I_{GSS}	$V_{GS}=\pm 30\text{V}, V_{DS}=0\text{V}$	--	--	± 100	nA
Gate Threshold Voltage	$V_{GS(th)}$	$V_{GS}=V_{DS}, I_D=250\mu\text{A}$	2.0	--	4.0	V
Static Drain- Source On State Resistance	$R_{DS(on)}$	$V_{GS}=10\text{V}, I_D=1.0\text{A}$	--	3.7	4.2	Ω
Input Capacitance	C_{iss}	$V_{DS}=25\text{V}, V_{GS}=0\text{V},$ $f=1.0\text{MHZ}$	--	250.1	--	pF
Output Capacitance	C_{oss}		--	35.7	--	
Reverse Transfer Capacitance	C_{rss}		--	1.1	--	
Turn-on Delay Time	$t_{d(on)}$	$V_{DD}=300\text{V}, I_D=2.0\text{A},$ $R_G=25\Omega$ (Note 2,3)	--	9.2	--	ns
Turn-on Rise Time	t_r		--	23.4	--	
Turn-off Delay Time	$t_{d(off)}$		--	15.3	--	
Turn-off Fall Time	t_f		--	20.1	--	
Total Gate Charge	Q_g	$V_{DS}=480\text{V}, I_D=2.0\text{A},$ $V_{GS}=10\text{V}$ (Note 2,3)	--	5.67	--	nC
Gate-Source Charge	Q_{gs}		--	1.74	--	
Gate-Drain Charge	Q_{gd}		--	1.99	--	

SOURCE-DRAIN DIODE RATINGS AND CHARACTERISTICS

Parameter	Symbol	Test conditions	Min.	Typ.	Max.	Unit
Continuous Source Current	I_S	Integral Reverse P-N Junction Diode in the MOSFET	--	--	2.0	A
Pulsed Source Current	I_{SM}		--	--	8.0	
Diode Forward Voltage	V_{SD}	$I_S=2.0A, V_{GS}=0V$	--	--	1.4	V
Reverse Recovery Time	T_{rr}	$I_S=2.0A, V_{GS}=0V,$ $dI_F/dt=100A/\mu S$	--	230	--	ns
Reverse Recovery Charge	Q_{rr}		--	1.0	--	μC

Notes:

1. $L=30mH, I_{AS}=2.52A, V_{DD}=145V, R_G=25\Omega,$ starting $T_J=25^\circ C;$
2. Pulse Test: Pulse width $\leq 300\mu s,$ Duty cycle $\leq 2\%;$
3. Essentially independent of operating temperature.

TYPICAL CHARACTERISTICS

Figure 1. On-Region Characteristics

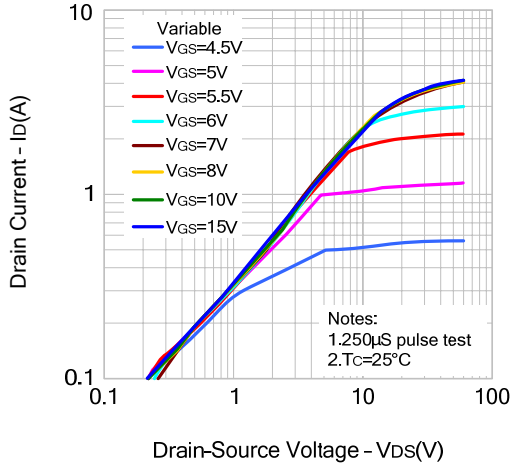


Figure 2. Transfer Characteristics

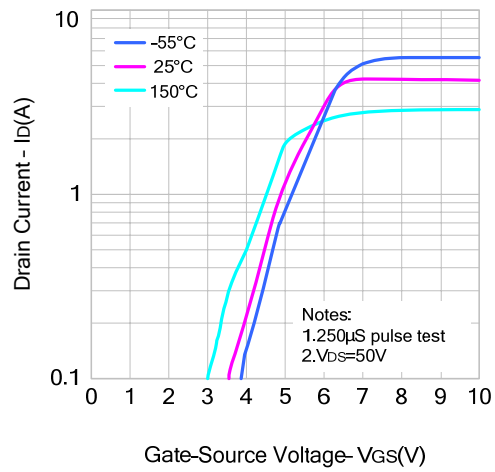


Figure 3. On-Resistance Variation vs. Drain Current and Gate Voltage

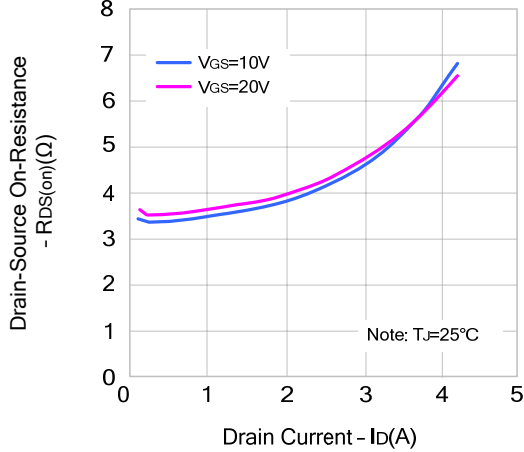


Figure 4. Body Diode Forward Voltage Variation vs. Source Current and Temperature

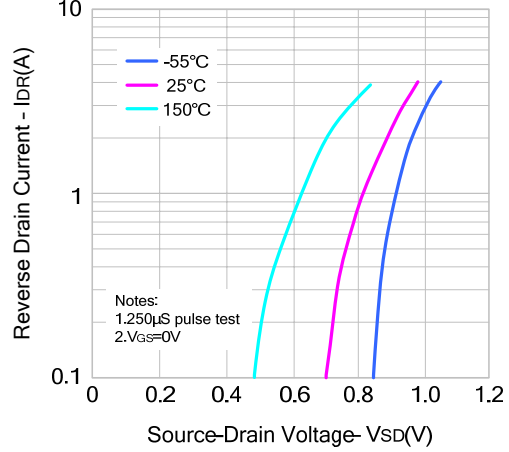


Figure 5. Capacitance Characteristics

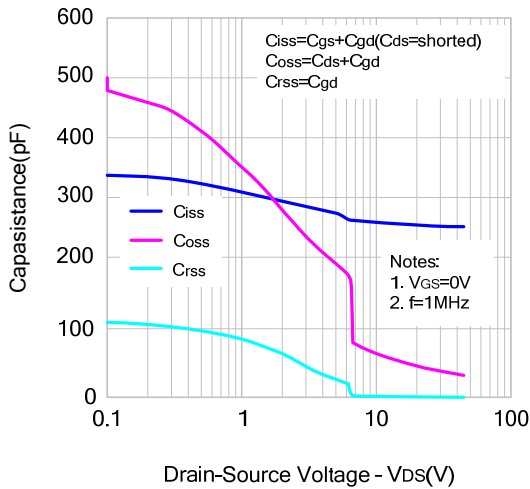
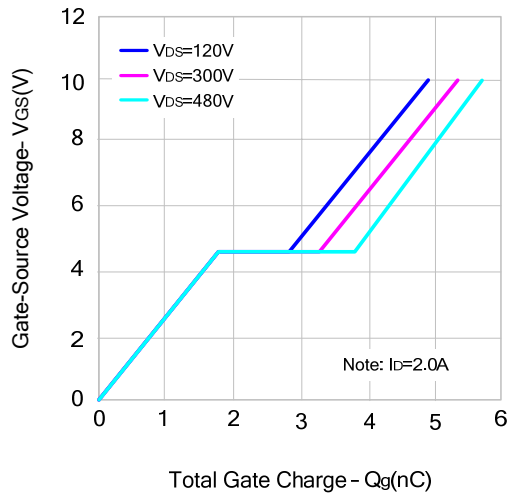


Figure 6. Gate Charge Characteristics



TYPICAL CHARACTERISTICS (CONTINUED)

Figure 7. Breakdown Voltage Variation vs. Temperature

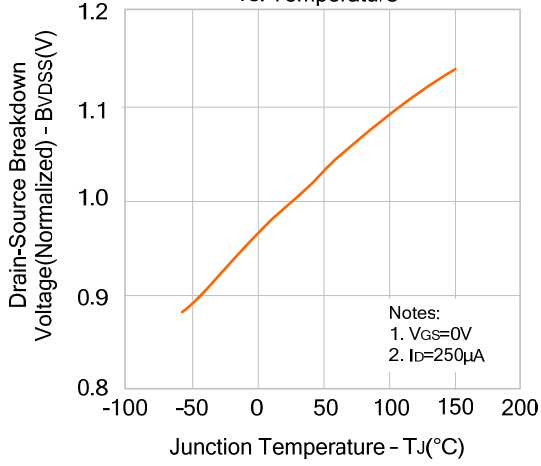


Figure 8. On-resistance Variation vs. Temperature

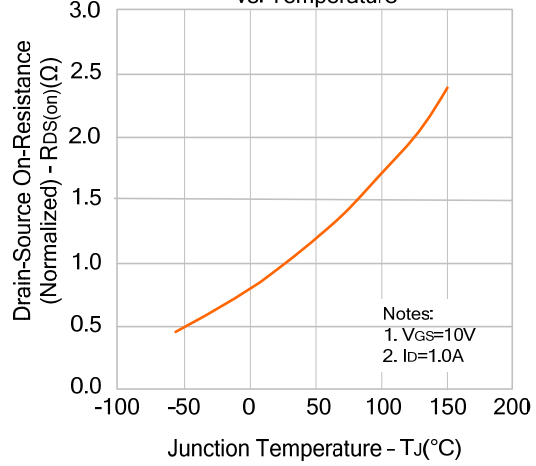


Figure 9-1. Max. Safe Operating Area(SVF2N60MD)

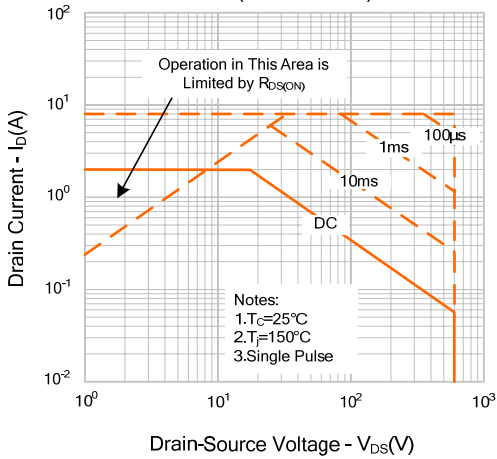


Figure 9-2. Max. Safe Operating Area(SVF2N60T)

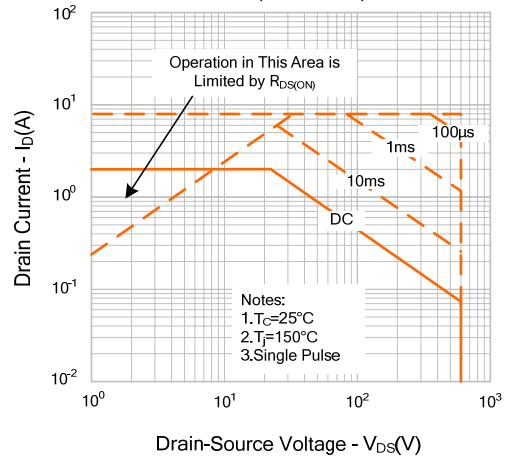


Figure 9-3. Max. Safe Operating Area(SVF2N60F)

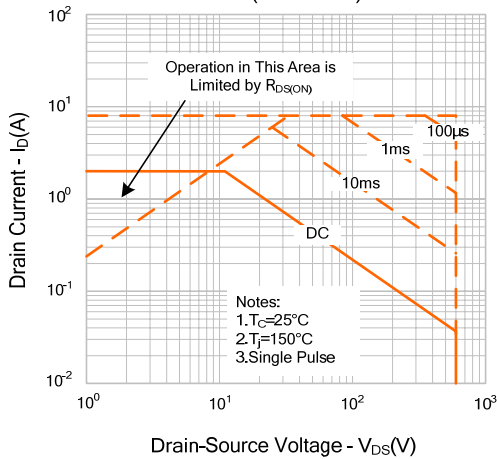
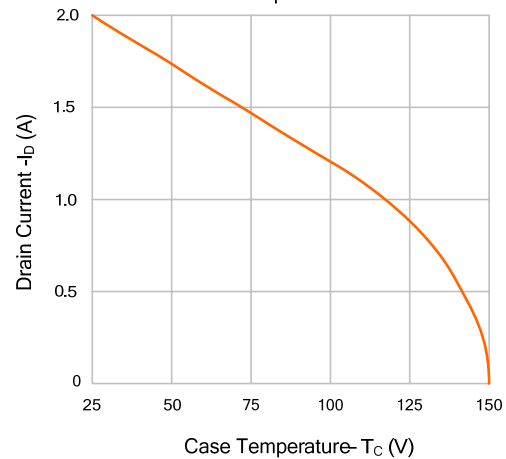
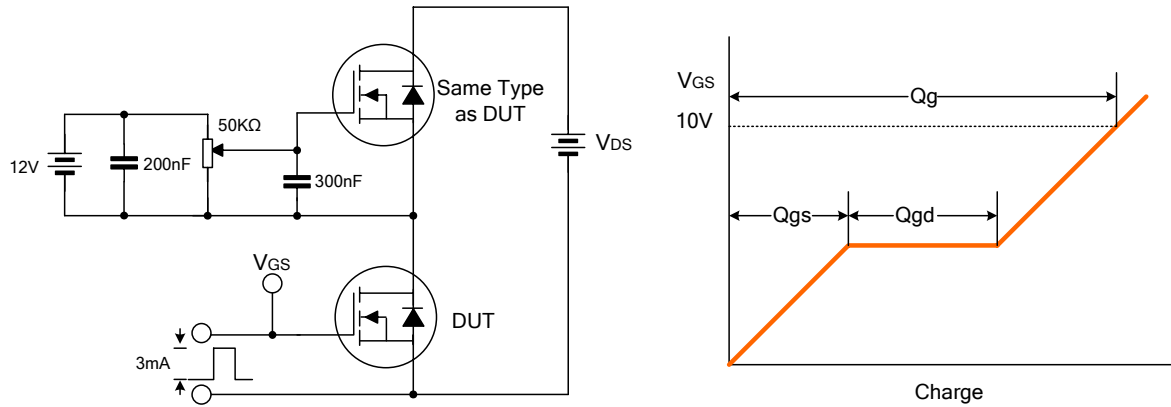


Figure 10. Max. Drain Current vs. Case Temperature

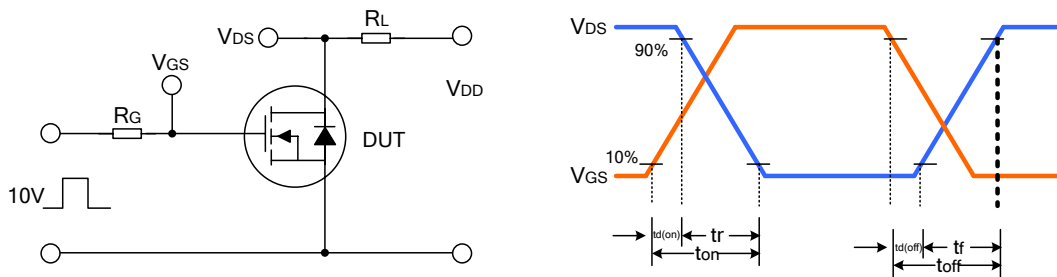


TYPICAL TEST CIRCUIT

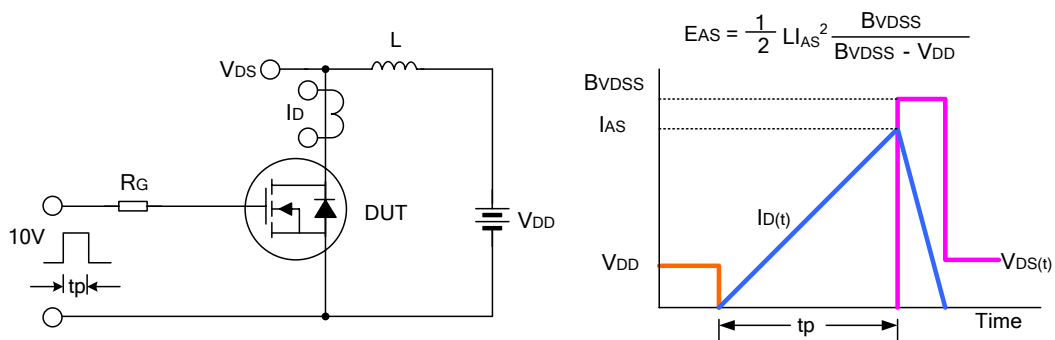
Gate Charge Test Circuit & Waveform



Resistive Switching Test Circuit & Waveform



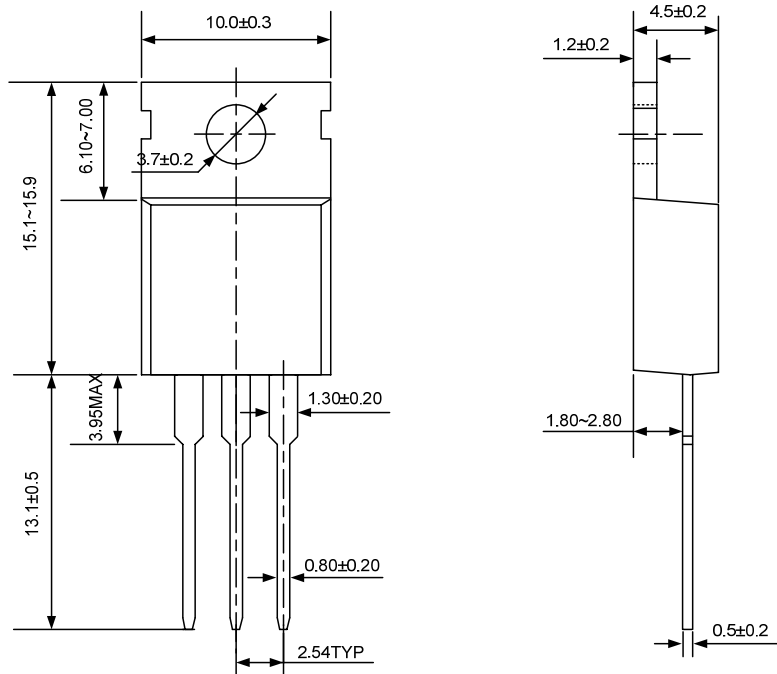
Unclamped Inductive Switching Test Circuit & Waveform



PACKAGE OUTLINE

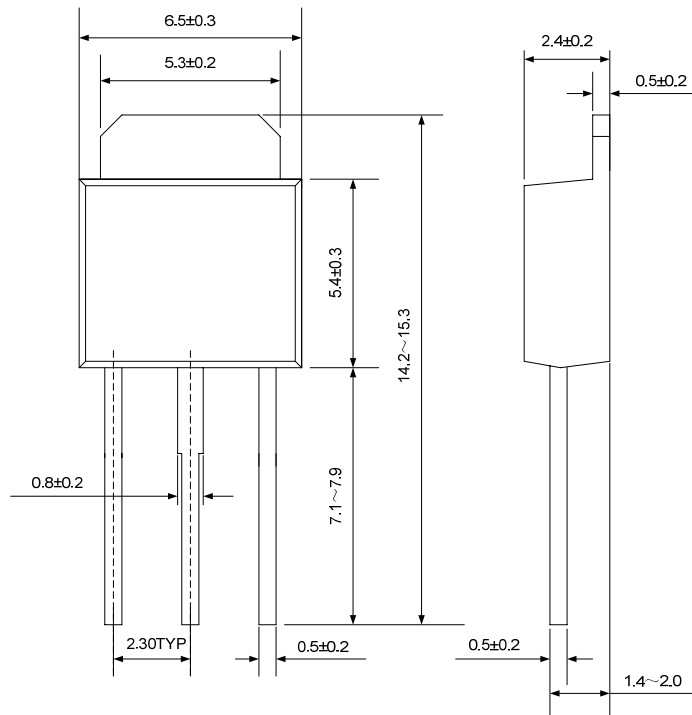
TO-220-3L

UNIT: mm



TO-251-3L

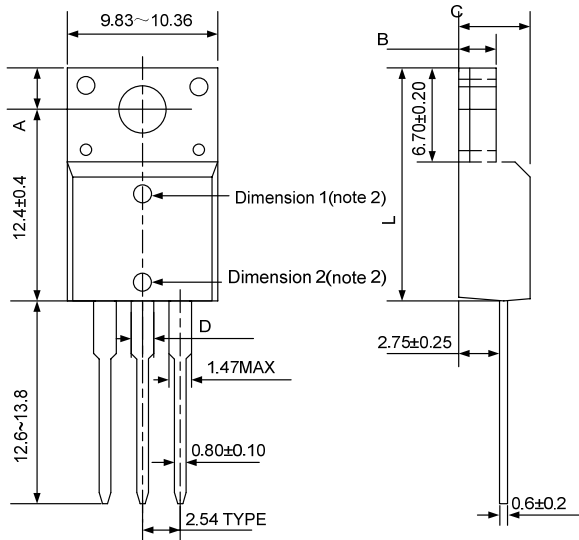
UNIT: mm



PACKAGE OUTLINE (continued)

TO-220F-3L(One)

UNIT: mm



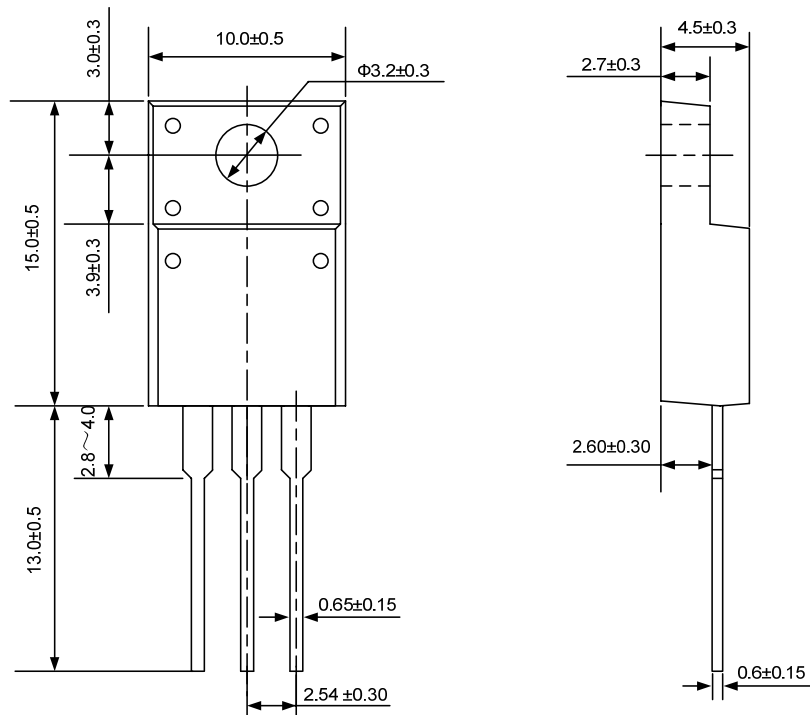
Symbol(note1)	Dimension1	Dimension2
A	3.30±0.15	2.70±0.15
B	2.55±0.20	3.0±0.20
C	4.72±0.2	4.50±0.20
D	1.47MAX	1.75MAX
L	15.75±0.30	15.00±0.30

Note1: There may be two values for some products due to different plastic mould machine, so two dimensions of the same position are listed;

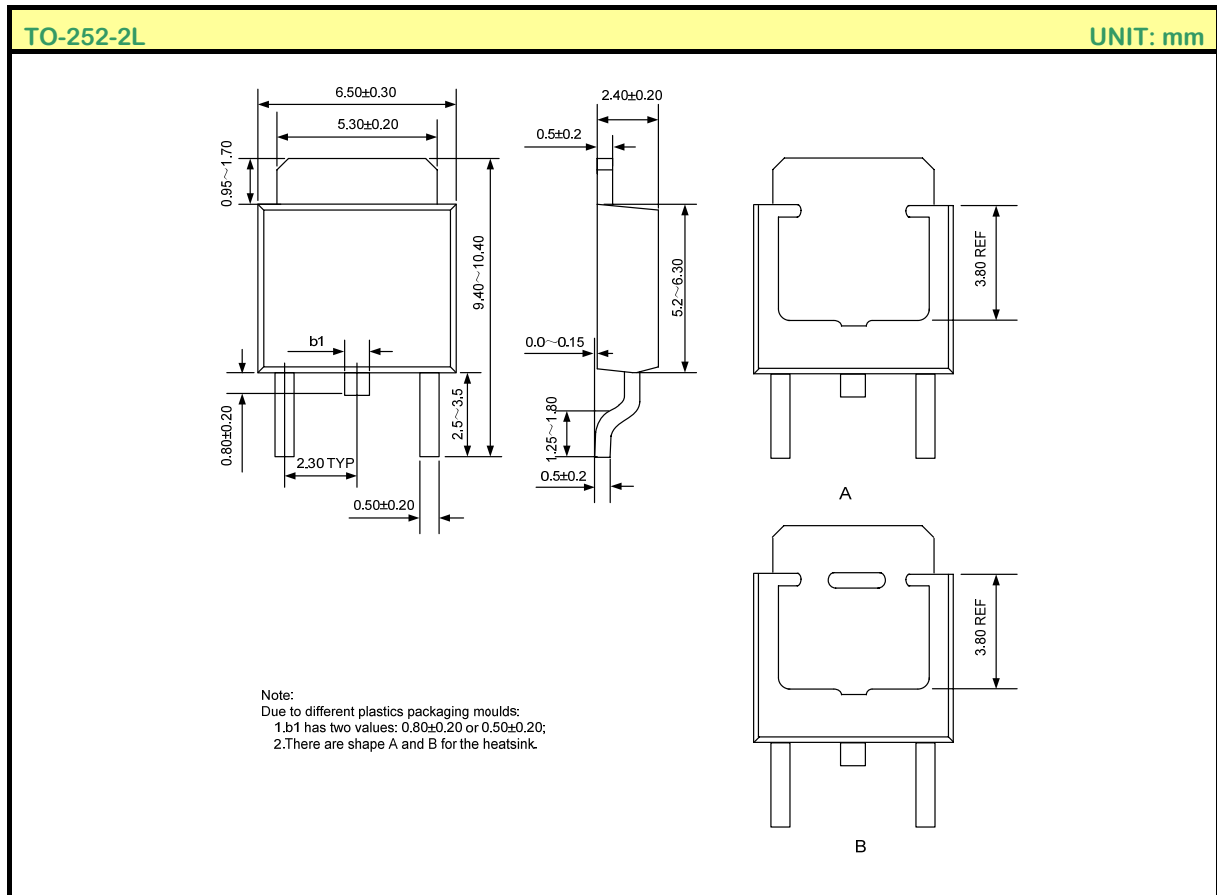
Note2: When the product size is Dimension1, the thimble hole is on top of the surface; when the size is Dimension2, the center hole is on bottom of the surface.

TO-220F-3L(Two)

UNIT: mm



PACKAGE OUTLINE (continued)



Disclaimer:

- Silan reserves the right to make changes to the information herein for the improvement of the design and performance without further notice! Customers should obtain the latest relevant information before placing orders and should verify that such information is complete and current.
- All semiconductor products malfunction or fail with some probability under special conditions. When using Silan products in system design or complete machine manufacturing, it is the responsibility of the buyer to comply with the safety standards strictly and take essential measures to avoid situations in which a malfunction or failure of such Silan products could cause loss of body injury or damage to property.
- Silan will supply the best possible product for customers!



ATTACHMENT

Revision History

Date	REV	Description	Page
2010.09.20	1.0	Original	
2010.10.21	1.1	Modify "TYPICAL CHARACTERISTICS", "PACKAGE OUTLINE", the template of Datasheet	