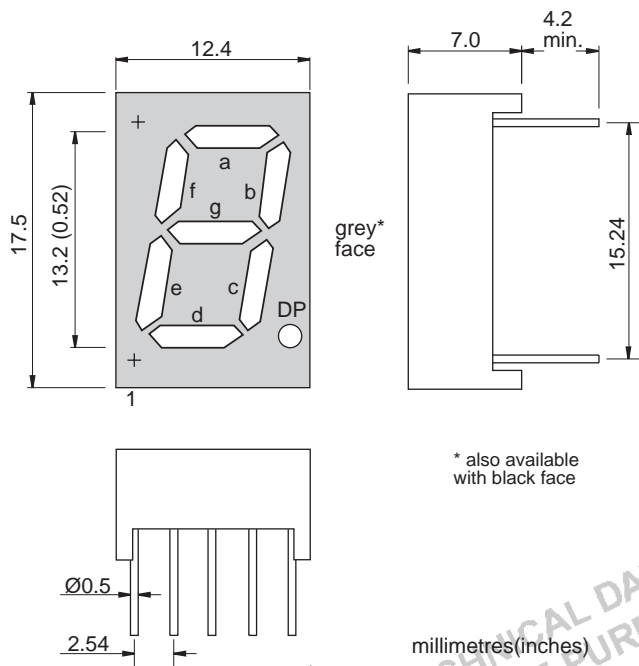


### TOS5121 series

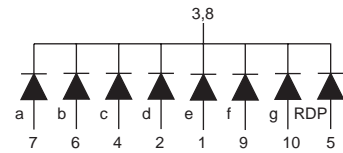


\* also available with black face

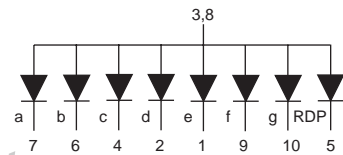
millimetres (inches)

### Schematic Options

**A** Common Cathode R/H Decimal point



**B** Common Anode R/H Decimal point



### Part Number Key

TOS5121

**A**

**S**

Schematic

Colour Code

### Specification

Colour	Red	Red	Red	Green	Yellow	
Colour Code	R	E †	S	G	Y	
Brightness Category	Bright	Extra Bright	Super Bright	Extra Bright	Extra Bright	
Typical Luminous Intensity $I_F=10\text{mA}$	700	3500	17500	4000	3500	$\mu\text{cd}$
Peak Wavelength $I_F=20\text{mA}$	697	630	660	565	585	nm
Typical Forward Voltage $I_F=20\text{mA}$	2.1	2.1	2.1	2.2	2.1	Volts
Maximum Forward Voltage $I_F=20\text{mA}$	2.8	2.8	2.8	2.8	2.8	Volts
Maximum Reverse Current $V_R=5\text{V}$	100	100	100	100	100	$\mu\text{A}$

† Red - Extra Bright (E) also available in low current