



Data Sheet

PFC FlatPAC™

575 W Power Factor Corrected AC-DC Power Supply



Features

- Inputs: 85 – 264 Vac universal
- Meets FCC Part 15, EN55022, Class A conducted emissions
- 75-85% efficiency
- cTÜVvs, CE marked
- Remote sense and current limit
- 8-60 mS ride-through time
- OVP and thermal shutdown
- Up to 575 W output

Actual size:
9.25 x 4.9 x 1.37 in
234,8 x 124,4 x 34,8 mm

Product Highlights

The PFC FlatPAC uses Vicor's field-proven VI-HAM and Maxi DC-DC converters to deliver up to 575 Watts of clean, reliable power. The PFC FlatPAC is a single-output power supply available with standard output voltages from 3.3 – 54 Vdc.

It operates from an input of 85 – 264 Vac, includes active power factor correction (0.99 power factor), and meets EN61000-3-2 harmonic current limits. Internal filtering provides compliance to EN55022-A conducted EMI. It is available in Vicor's low profile 1.37" (34,8 mm) FlatPAC chassis, in either finned or conduction-cooled (CC) versions.

PFC FlatPAC Selection Chart

V ^[a] I - CMU [] - [] - [] - []

^[a]E for RoHS compliant

[] Output Voltage

Y = 3.3 V	L = 28 V
0 = 5.0 V	J = 36 V
1 = 12 V	4 = 48 V
2 = 15 V	G = 54 V
3 = 24 V	

[] Output Power/Current Vout

V _{OUT} ≤ 5 V Q = 80 A	V _{OUT} ≥ 12 V M = 575 W
------------------------------------	--------------------------------------

[] Product Grade Temps. (°C)

E = 0 to +85 case
C = 0 to +85 case
I = -30 to +85 case

[] Options

CC = Conduction cooled

FLATPAC SPECIFICATIONS

(typical at = 25°C, 120/240 Vac line and 75% load, unless otherwise specified)

■ INPUT CHARACTERISTICS

Parameter	Min	Typ	Max	Unit	Note
AC line input					
Universal	85		264	Vac	
Line frequency		47 – 63		Hz	Unit will operate at 400 Hz but may not meet Power Factor or Total Harmonic Distortion specs. Efficiency may be reduced.
Inrush current					
230 Vac operation, full load			20	A	
Ride-through time (full load)					
85 – 264 Vac	8		60	ms	
Dielectric withstand					
Primary to chassis GND		2,121		Vdc	
Primary to secondary		4,242		Vdc	
Secondary to chassis GND		707		Vdc	
Power Factor	0.99				
Total Harmonic Distortion			7.5%		Sinusoidal, 115 Vac, full load
			8.5%		Sinusoidal, 230 Vac, full load

■ OUTPUT CHARACTERISTICS (see datasheet for V375 Maxi family for additional info)

	E-Grade			C-, I-Grade			Units	Note
	Min	Typ	Max	Min	Typ	Max		
Set point accuracy		1%	2%		0.5%	1%	V _{NOM}	
Line regulation								
low line			0.5%		0.02%	0.2%	V _{NOM}	85 – 264 Vac, 0 – 350 W
nominal to high line			0.5%		0.02%	0.2%	V _{NOM}	115 – 264 Vac, 0 – 575 W
Load regulation								
low line			1%		0.2%	0.5%	V _{NOM}	85 – 264 Vac, 0 – 350 W
nominal to high line			1%		0.2%	0.5%	V _{NOM}	115 – 264 Vac, 0 – 575 W
Output temperature drift		0.02			0.01	0.02	%/°C	Over rated temperature
Long term drift		0.02			0.02		%/1 k hours	
Output ripple								
3.3 V			150		120	150	mVp-p	20 MHz bandwidth
5 V			5%		120	150	mVp-p	20 MHz bandwidth
12-54 V			3%		2%	3%	p-p	20 MHz bandwidth
Output voltage trimming	10%		110%	10%		110%		See vicorpower.com for trim calculator
Total remote sense compensation			0.5			0.5	Volts	0.25 V max. neg. leg
OVP set point		125%		115%	120%	125%	V _{NOM}	Recycle power
Current limit	102%		135%	102%		135%	I _{NOM}	Automatic restart
Short circuit current	70%		140%	70%		135%	I _{NOM}	

FLATPAC SPECIFICATIONS

(typical at = 25°C, 120/240 Vac line and 75% load, unless otherwise specified)

■ THERMAL CHARACTERISTICS

	E-Grade			C-, I-Grade			Units	Note
	Min	Typ	Max	Min	Typ	Max		
Efficiency	70 – 80%			75 – 85%				
Shut down temp. — case	90	95	105	90	95	105	°C	Cool and recycle power to restart
Operating temp. — case			85			85	°C	See Thermal Curves

■ MECHANICAL SPECIFICATIONS

Parameter	Min	Typ	Max	Unit	Note
Weight		44.8 (1304)			Ounces (Grams)

■ SAFETY AGENCY APPROVALS

cTÜVus	UL 60950-1, CSA 60950-1, EN60950-1, IEC 60950-1
CE	Low voltage directive 73/23/EEC

■ ENVIRONMENTAL CHARACTERISTICS/PRODUCT GRADE DESIGNATORS

Parameter	Min	Typ	Max	Unit	Note
Storage temperature		-20 to +100		°C	C-Grade and E-Grade
		-55 to +100		°C	I-Grade
Operating temperature (case)		0 to +85		°C	C-Grade and E-Grade
		-30 to +85		°C	I-Grade

■ EMI / EMC CHARACTERISTICS (Performed on selected samples representative of the PFC FlatPAC product family.)

Parameter	Min	Typ	Max	Unit	Note
Conducted emissions					EN 55022:1998, CISPR 22, Class A
Radiated emissions					EN 55022:1998, CISPR22, Class B
Harmonic current emissions					EN 61000-3-2:2000
Voltage fluctuations and flicker					EN 61000-3-3:1995
Electrostatic discharge					EN 61000-4-2, level 4, 8 kv contact, 15 kv air discharge
RF radiated immunity, E-field					EN 61000-4-3, 80 MHz to 2.0 GHz, 10 v/m
Electrical fast transients/burst					EN 61000-4-4, Level 3; 500 v, 1 kv and 2 kv
Power line surge immunity					EN 61000-4-5, Level 3; 500 v, 1 kv, 1.5 kv and 2 kv
RF conducted immunity					EN 61000-4-6, Level 3; 150 kHz to 80 MHz, 10 vrms
Power frequency H-field Immunity					EN 61000-4-8, Level 4; 30 A/m, continuous field
Voltage dips and interrupts					EN61000-4-11

Note: All temperature derating performed at 120 Vac input

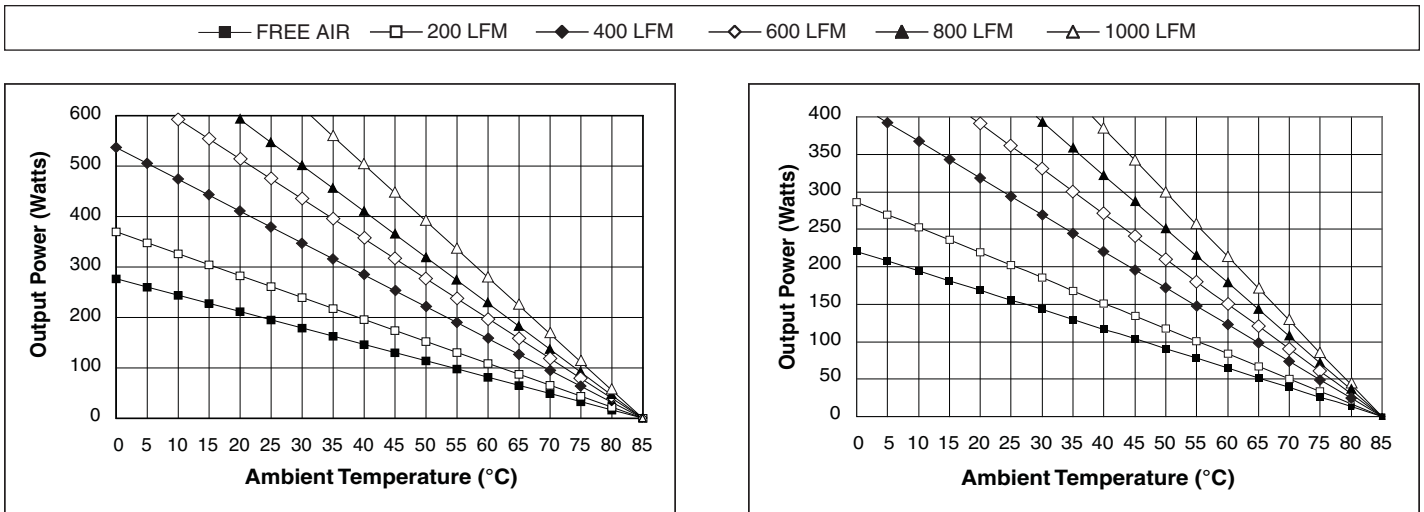


Figure 1 — Output power derating vs. temperature, $V_{out} \geq 12 V$

Figure 2 — Output power derating vs. temperature, $V_{out} = 5 V$

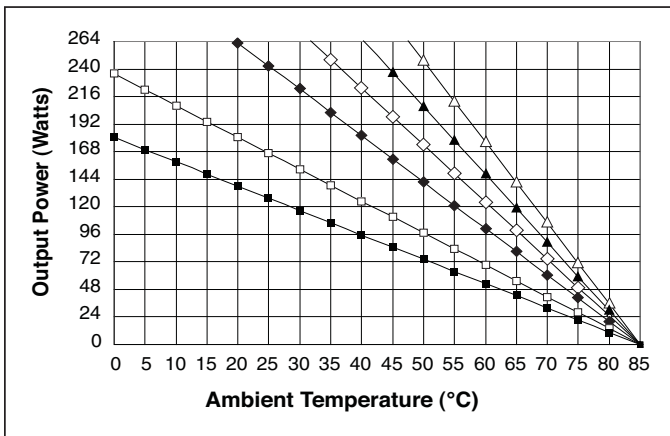


Figure 3 — Output power derating vs. temperature, $V_{out} = 3.3 V$

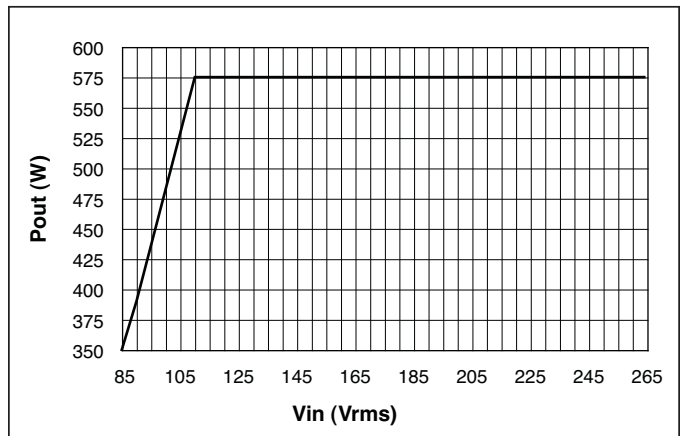


Figure 4 — PFC FlatPAC Output Power Vs. Input Voltage

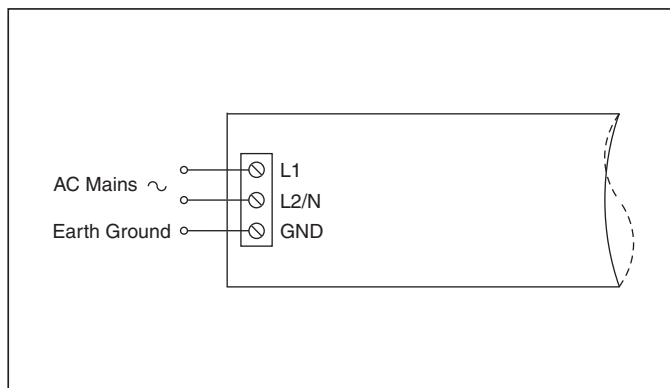


Figure 5 — AC input connections

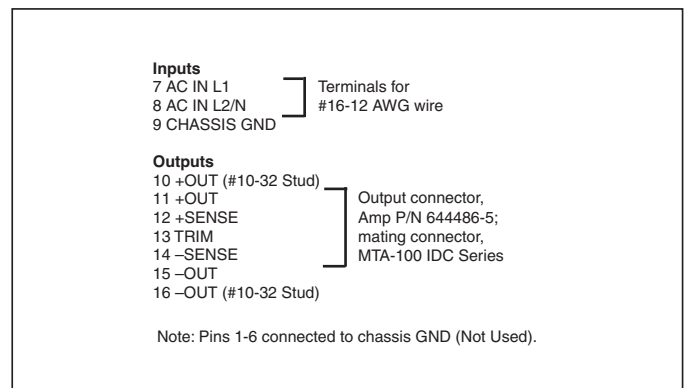


Figure 6 — Electrical connections

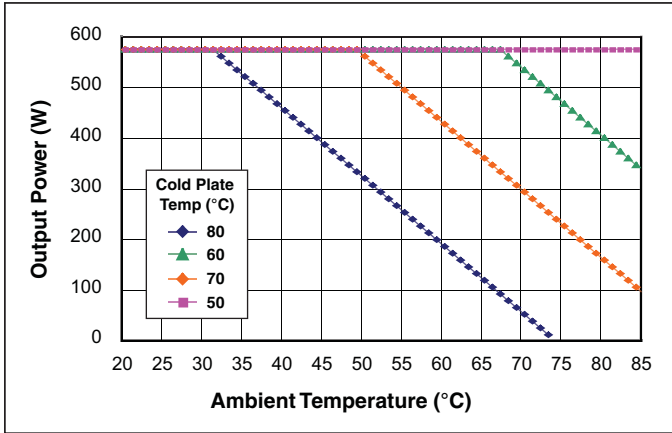


Figure 7 — Power de-rating conduction cooled option

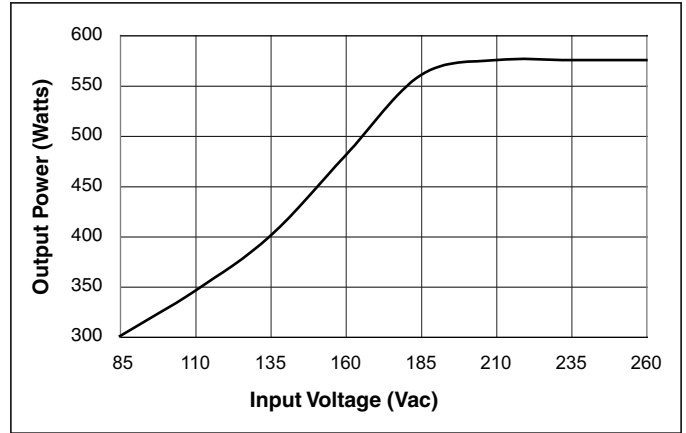
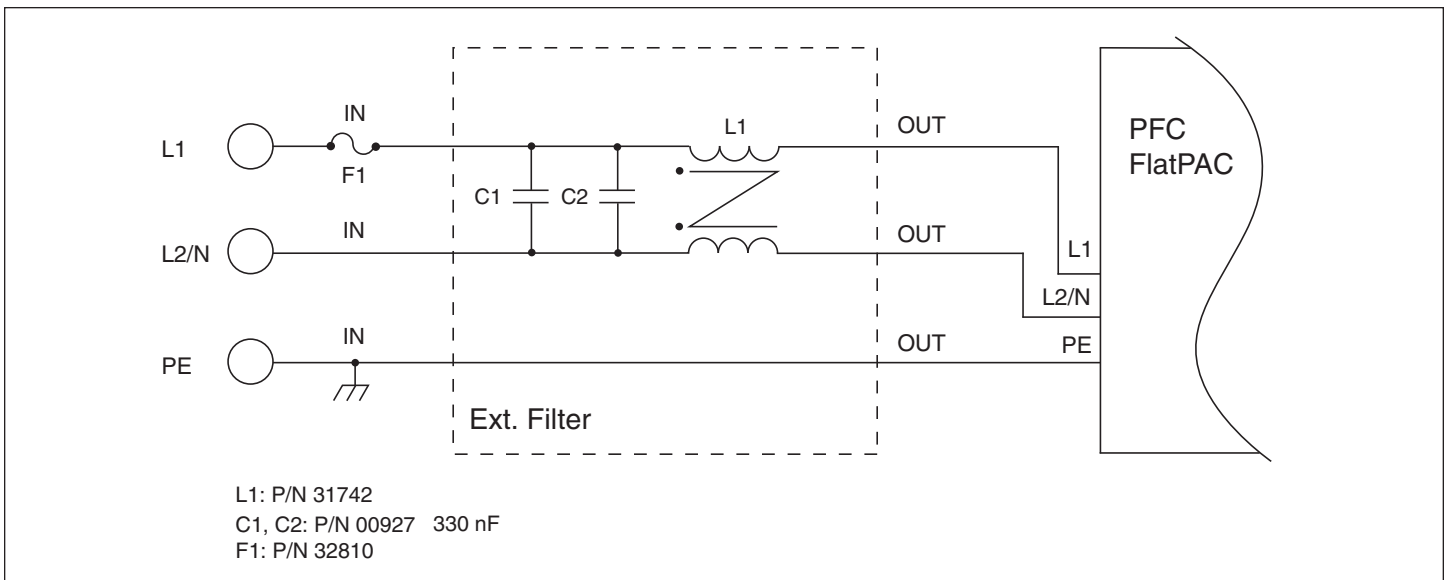


Figure 8 — Output power start-up de-rating @ -30°C (I-Grade only). 5 minute warm up required before full power (see Figure 4) is available.

Optional filter to meet EN55022 CLASS B compliance



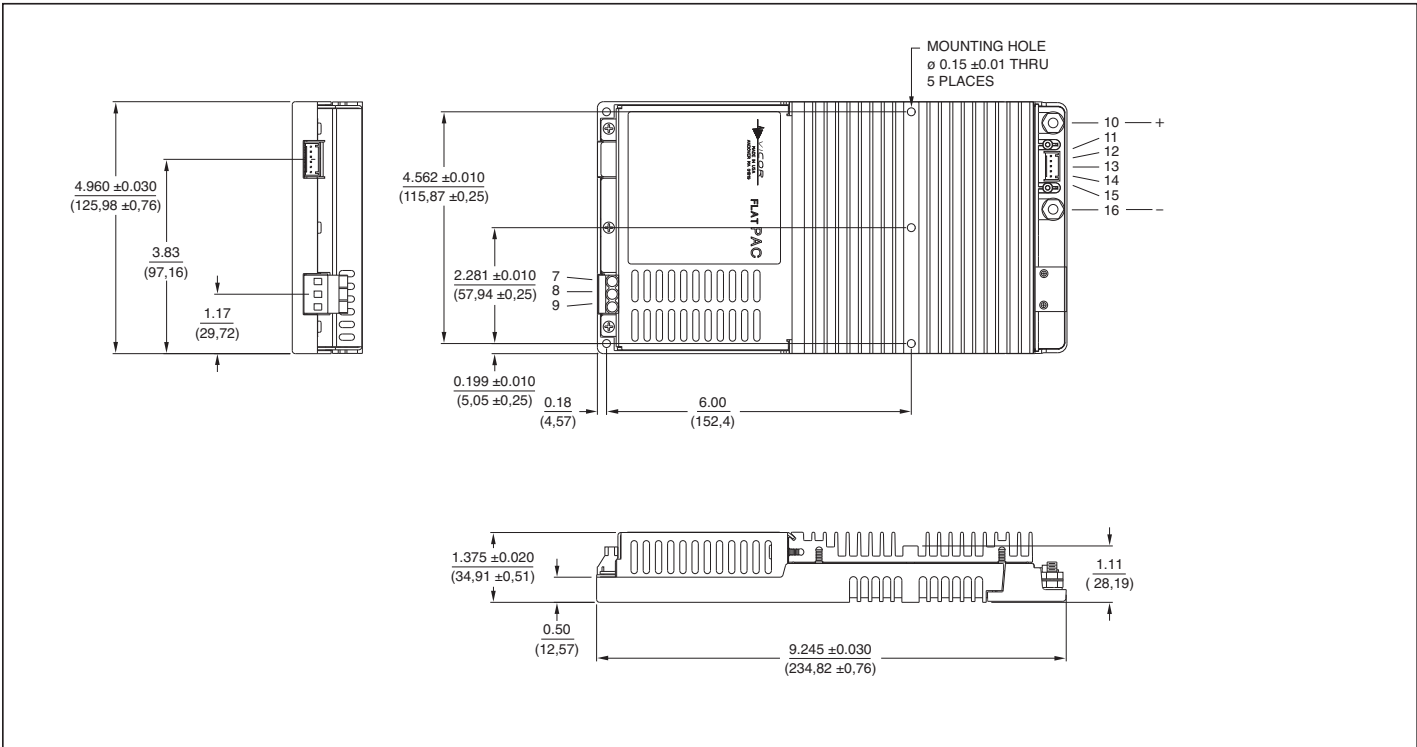


Figure 9a — Mechanical drawings; convection cooled.

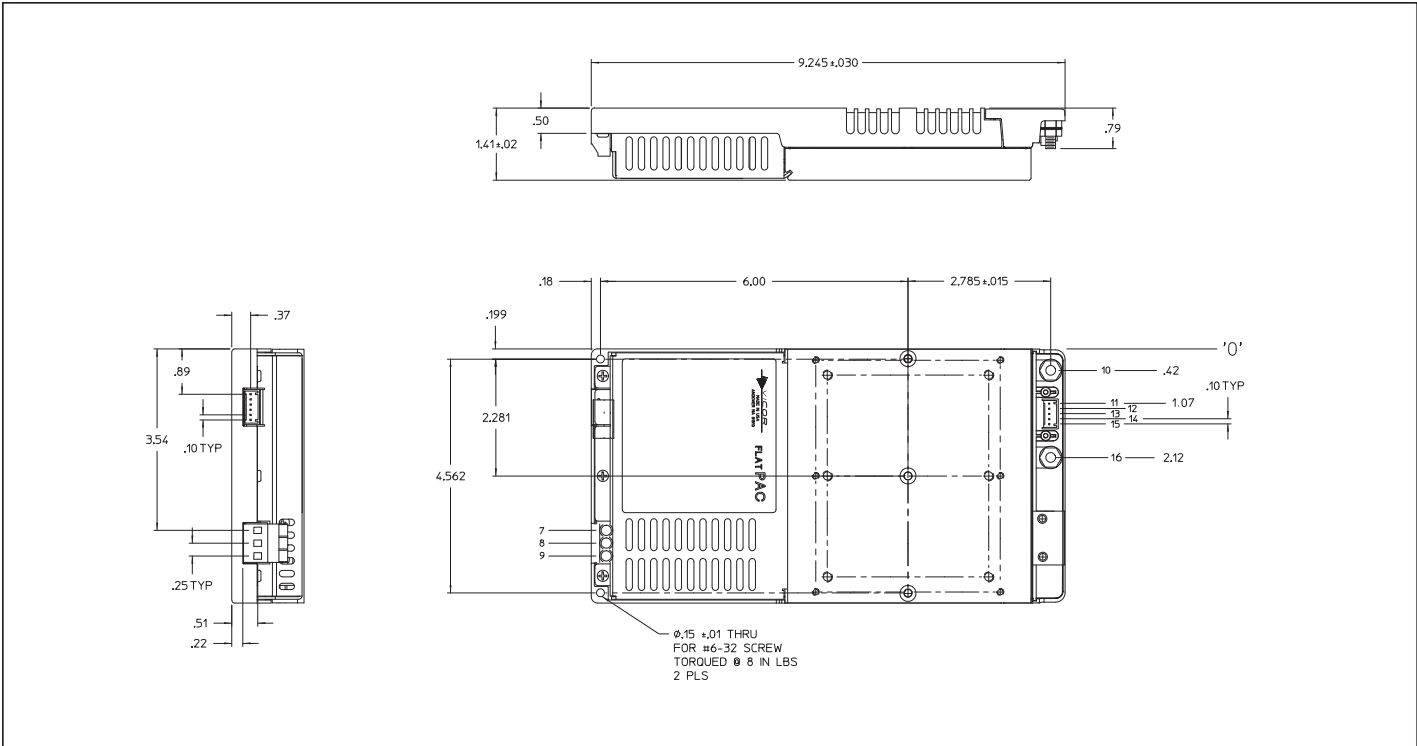


Figure b — Mechanical drawings; conduction cooled.

Warranty

Vicor products are guaranteed for two years from date of shipment against defects in material or workmanship when in normal use and service. This warranty does not extend to products subjected to misuse, accident, or improper application or maintenance. Vicor shall not be liable for collateral or consequential damage.

This warranty is extended to the original purchaser only.

EXCEPT FOR THE FOREGOING EXPRESS WARRANTY, VICOR MAKES NO WARRANTY, EXPRESS OR IMPLIED, INCLUDING, BUT NOT LIMITED TO, THE WARRANTY OF MERCHANTABILITY OR FITNESS FOR A PARTICULAR PURPOSE.

Vicor will repair or replace defective products in accordance with its own best judgement. For service under this warranty, the buyer must contact Vicor to obtain a Return Material Authorization (RMA) number and shipping instructions. Products returned without prior authorization will be returned to the buyer. The buyer will pay all charges incurred in returning the product to the factory. Vicor will pay all reshipment charges if the product was defective within the terms of this warranty.

Information published by Vicor has been carefully checked and is believed to be accurate; however, no responsibility is assumed for inaccuracies. Vicor reserves the right to make changes to any products without further notice to improve reliability, function, or design. Vicor does not assume any liability arising out of the application or use of any product or circuit; neither does it convey any license under its patent rights nor the rights of others. Vicor general policy does not recommend the use of its components in life support applications wherein a failure or malfunction may directly threaten life or injury. Per Vicor Terms and Conditions of Sale, the user of Vicor components in life support applications assumes all risks of such use and indemnifies Vicor against all damages.

Vicor's comprehensive line of power solutions includes high density AC-DC and DC-DC modules and accessory components, fully configurable AC-DC and DC-DC power supplies, and complete custom power systems.

Information furnished by Vicor is believed to be accurate and reliable. However, no responsibility is assumed by Vicor for its use. Vicor components are not designed to be used in applications, such as life support systems, wherein a failure or malfunction could result in injury or death. All sales are subject to Vicor's Terms and Conditions of Sale, which are available upon request.

Specifications are subject to change without notice.

Intellectual Property Notice

Vicor and its subsidiaries own Intellectual Property (including issued U.S. and Foreign Patents and pending patent applications) relating to the products described in this data sheet. Interested parties should contact Vicor's Intellectual Property Department.

Vicor Corporation
25 Frontage Road
Andover, MA, USA 01810
Tel: 800-735-6200
Fax: 978-475-6715

email

Vicor Express: vicorexp@vicr.com
Technical Support: apps@vicr.com