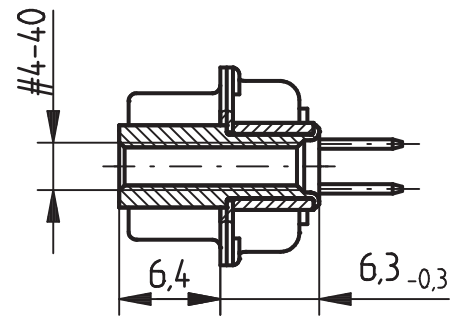


Schnitt A-A /
cross section A-A



Zubehör: Gewindebolzen/Hülse
accessories: threaded bolt/sleeve

Fehlende Masse und Angaben siehe DIN 41652 / Missing information and dimensions according to DIN 41652

Sonstige Angaben siehe Fertigungsunterlagen / Additional indications please see the production documentation

Consider protection memo from DIN 34

Information:

Tolerances



Scale 2:1

All rights reserved.
Only for information.
To insure that this is the latest
version of this drawing, please
contact one of the ERNI companies
before using.

Subject to modification without
prior notice.
Drawing will not be updated.

Designation

TMC-P 37-TL-6.0
TMC-P 37-TL-6.0

 www.ERNI.com

100200150001

K

Index

Date

M:00067044.SZA

TMCP