

MN3717FE, MN3717AE

6mm (1/3 inch) 682H CCD Area Image Sensors

■ Overview

The MN3717FE and MN3717AE are 6mm (1/3 inch) Interline Transfer CCD (IT-CCD) solid state image sensor devices.

This device uses photodiodes in the optoelectric conversion section and CCDs for signal read out. The electronic shutter function has made possible an exposure time of 1/10000 seconds. Further, this device has the features of high sensitivity, low noise, broad dynamic range, and low smear.

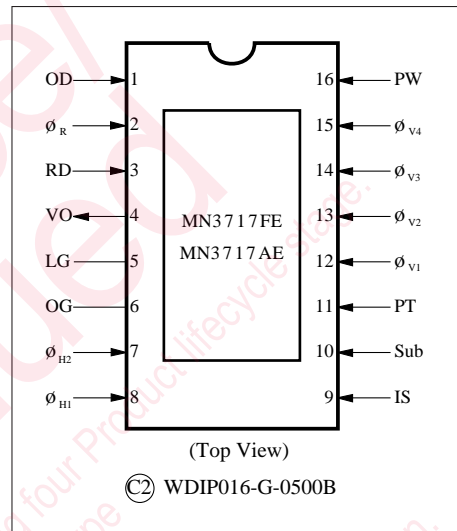
This device has a total of 360K pixels (722 horizontal × 494 vertical) and provides stable and clear images with a resolution of 430 horizontal TV-lines and 350 vertical TV-lines.

Type No.	Size	System	Color or B/W
MN3717FE	6mm (1/3 inch)	NTSC	Color
MN3717AE		E I A	B/W

■ Features

- Total number of pixels: 722 (horizontal) × 494 (vertical)
- High sensitivity
- Low noise
- Broad dynamic range
- Low smear
- Low image lag
- Electronic shutter function present
- No image distortion
- Small size enables design of compact equipment
- High reliability
- 16 Pin DIL ceramic package (cerdip)

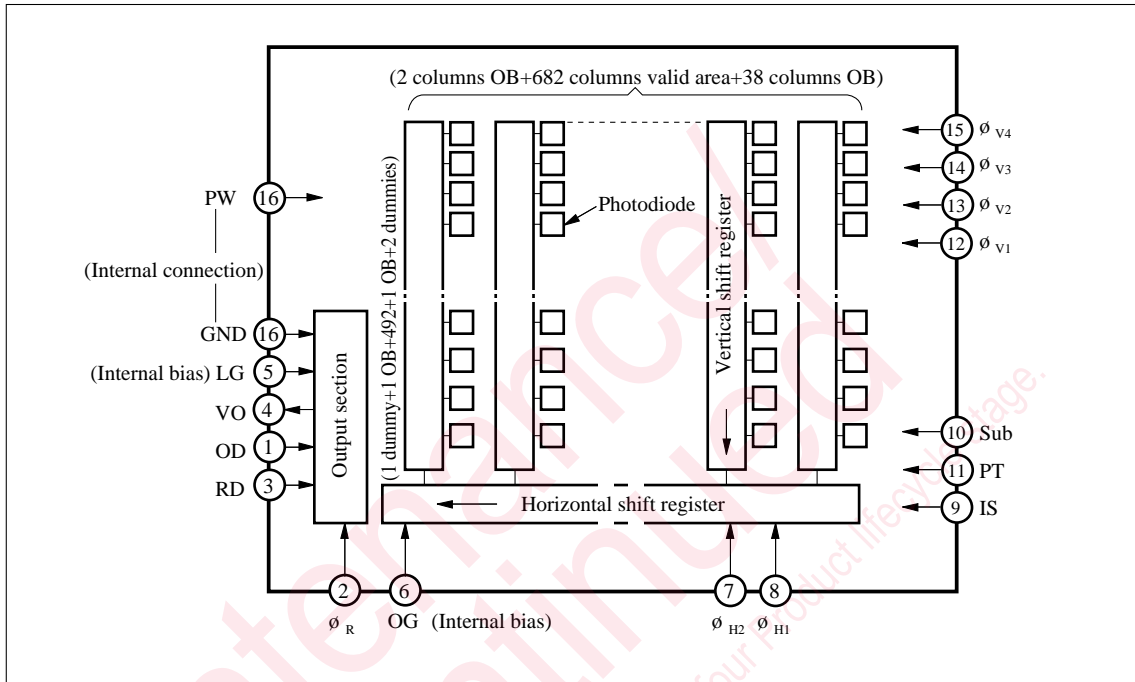
■ Pin Assignments



■ Applications

- Compact lightweight camcoders
- Communication television systems
- Door cameras
- Cameras for measurement use
- Cameras for medical use

■ Block Diagram



■ Pin Descriptions

Pin No.	Symbol	Descriptions	Pin No.	Symbol	Descriptions
1	OD	Output drain	9	IS	Input source
2	ϕ_R	Reset pulse	10	Sub	Substrate
3	RD	Reset drain	11	PT	P-well for protection circuit
4	VO	Video output	12	ϕ_{V1}	Vertical shift register clock pulse (1)
5	LG	Output load transistor gate	13	ϕ_{V2}	Vertical shift register clock pulse (2)
6	OG	Output gate	14	ϕ_{V3}	Vertical shift register clock pulse (3)
7	ϕ_{H2}	Horizontal register clock pulse (2)	15	ϕ_{V4}	Vertical shift register clock pulse (4)
8	ϕ_{H1}	Horizontal register clock pulse (1)	16	PW	P-well

■ Absolute Maximum Ratings and Operating Conditions

Parameter	Symbol	Rating		Operating condition			Unit	
		min	max	min	typ	max		
Reset drain voltage	$V_{RD}^{*1,3}$	-0.2	18	14.5	15	15.5	V	
Output drain voltage	$V_{OD}^{*1,3}$	-0.2	18	14.5	15	15.5	V	
Output load transistor gate voltage	$V_{LG}^{*1,3,6}$	(Supplied internally)					V	
Output gate voltage	$V_{OG}^{*1,3,6}$	(Supplied internally)					V	
Horizontal CCD input source voltage	V_{HS}	-0.2	18	14.5	15	15.5	V	
Protection P well voltage	V_{PT}	-10	0.2	$\phi_{V(L)}$ -1.2	$\phi_{V(L)}$ -1	$\phi_{V(L)}$ -0.7	V	
P well voltage	V_{PW}	Reference voltage		—	0	—	V	
Reset pulse voltage	H-L Bias	$V_{\phi R(H)}^{*2}$	—	18	4.7	5	5.3	V
	$V_{\phi R(L)}^{*2}$	-0.5	—	0	Adjust	5	V	
Horizontal register clock pulse voltage 1	$V_{\phi H1(H)}^{*2}$	—	18	4.7	5	5.3	V	
	$V_{\phi H1(L)}^{*2}$	-0.2	—	0	0	0	V	
Horizontal register clock pulse voltage 2	$V_{\phi H2(H)}^{*2}$	—	18	4.7	5	5.3	V	
	$V_{\phi H2(L)}^{*2}$	-0.2	—	0	0	0	V	
Vertical shift register clock pulse voltage 1	$V_{\phi V1(H)}^{*2,5}$	—	18	14.5	15	15.5	V	
	$V_{\phi V1(M)}^{*2,5}$	—	—	-0.2	0	0.2	V	
	$V_{\phi V1(L)}^{*2,5}$	-9	—	-7.3	-7	-6.7	V	
Vertical shift register clock pulse voltage 2	$V_{\phi V2(M)}^{*2,5}$	—	18	0.8	1	1.2	V	
	$V_{\phi V2(L)}^{*2,5}$	-9	—	-7.3	-7	-6.7	V	
Vertical shift register clock pulse voltage 3	$V_{\phi V3(H)}^{*2,5}$	—	18	14.5	15	15.5	V	
	$V_{\phi V3(M)}^{*2,5}$	—	—	-0.2	0	0.2	V	
	$V_{\phi V3(L)}^{*2,5}$	-9	—	-7.3	-7	-6.7	V	
Vertical shift register clock pulse voltage 4	$V_{\phi V4(M)}^{*2,5}$	—	18	0.8	1	1.2	V	
	$V_{\phi V4(L)}^{*2,5}$	-9	—	-7.3	-7	-6.7	V	
Substrate voltage	V_{Sub}^{*4}	-0.2	45	3	Adjust	14.5	V	
Operating temperature	T_{opr}	-10	70	—	25	—	°C	
Storage temperature	T_{sg}	-30	80	—	—	—	°C	

Note 1) The initial setting of V_{Sub} shall be 8.0V and shall be adjusted to the minimum voltage at which no blooming is caused at a light input of 100 times the standard value. The standard light input is the one when the exposure is done at a specified aperture using a light source of 2856K and 1050nt, and placing a color temperature conversion filter LB-40 (Hoya) and an IR cutting filter CAW-500S ($t=2.5\text{mm}$) in the light path.

Note 2) See pulse timing diagrams on the following page.

Note 3) Absolute maximum ratings:
 $-0.2 < V_{Sub} - V_{PT} < +55$ (V)
 $-0.2 < V_{\phi V} - V_{PT} < +24.5$ (V)

Note 4) V_{Sub} power supply impedance should be 100 Ohms or less.

Note 5) Output impedance of the ϕ_{V1} to ϕ_{V4} drivers should be 30 Ohms or more, while their power supply capacitance should be 10mA or less.

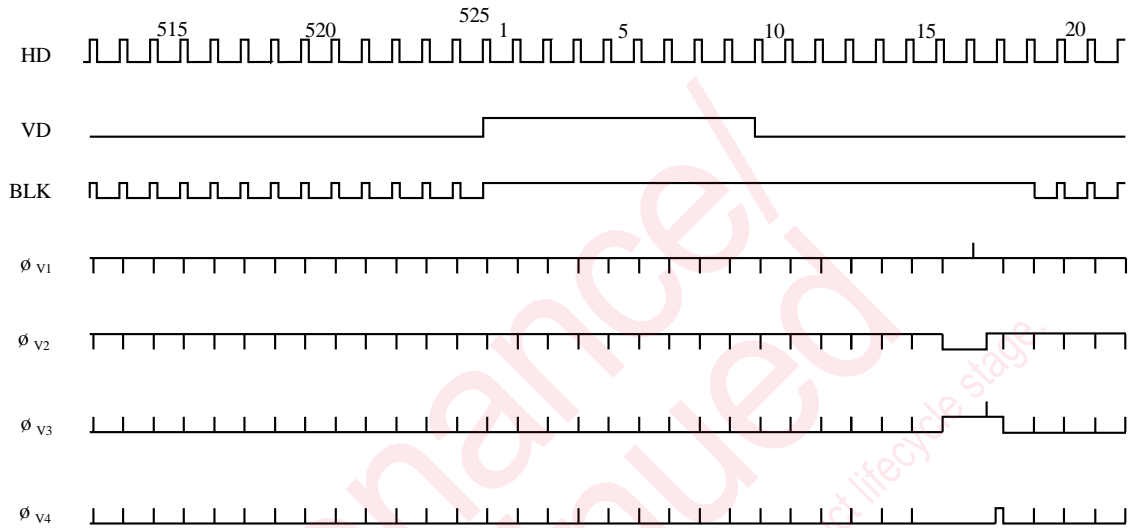
Note 6) The LG and OG pins should each be grounded via a capacitor of 0.047 μF or more.

■ Optical Characteristics

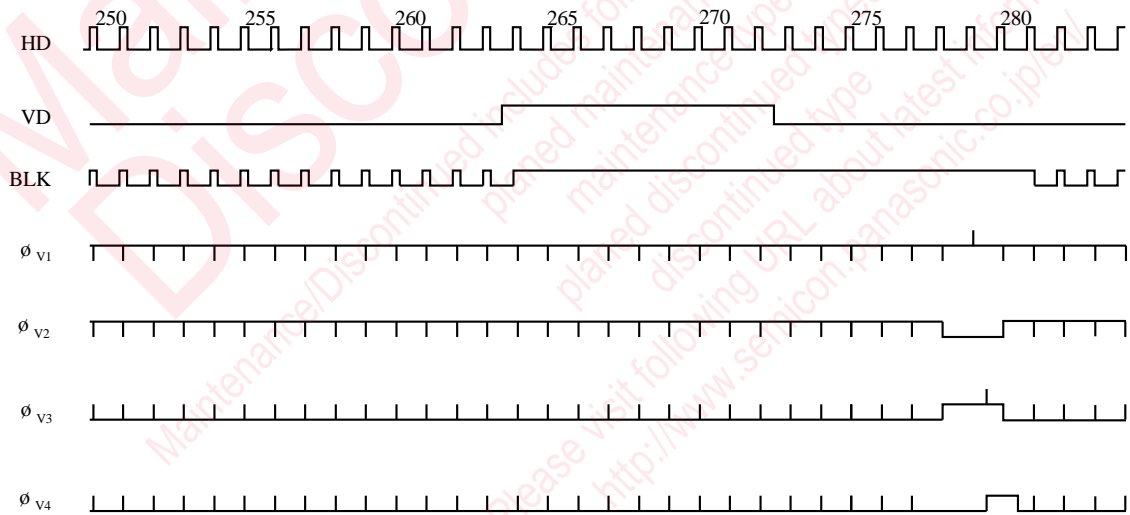
Type No.	Color or B/W	Valid pixels		S/N typ. (dB)	Saturation output typ. (mV)	Sensitivity F8 typ. (mV)	Vertical smear Sm typ. (%)	Image lag typ. (%)	Horizontal resolution typ. (TV-lines)	Vertical resolution typ. (TV-lines)
		H	V							
MN3717FE	Color	682	492	60	600	200	0.01	0	430	350
MN3717AE	B/W	682	492	60	1,100	400	0.01	0	480	350

■ Example of Recommended Driving Pulses

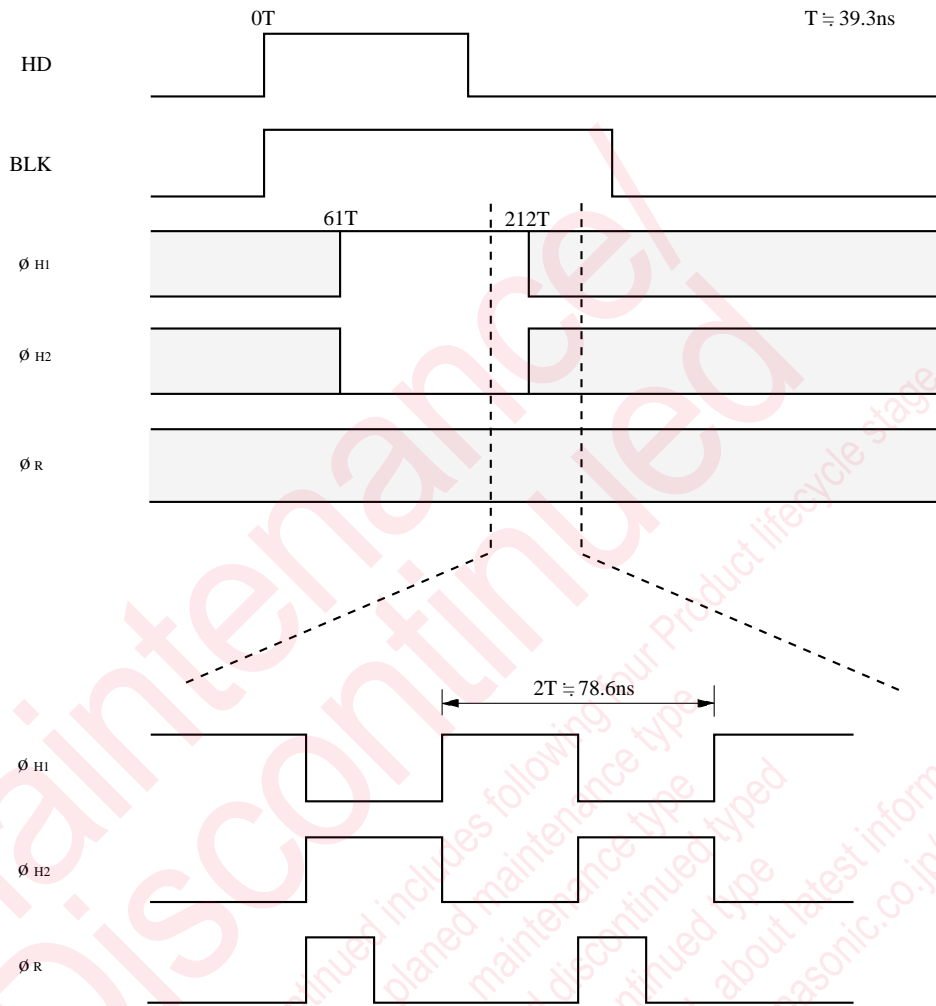
< Field A >



< Field B >



■ Example of Recommended Driving Pulses (continued)



Request for your special attention and precautions in using the technical information and semiconductors described in this book

- (1) If any of the products or technical information described in this book is to be exported or provided to non-residents, the laws and regulations of the exporting country, especially, those with regard to security export control, must be observed.
- (2) The technical information described in this book is intended only to show the main characteristics and application circuit examples of the products, and no license is granted under any intellectual property right or other right owned by our company or any other company. Therefore, no responsibility is assumed by our company as to the infringement upon any such right owned by any other company which may arise as a result of the use of technical information described in this book.
- (3) The products described in this book are intended to be used for standard applications or general electronic equipment (such as office equipment, communications equipment, measuring instruments and household appliances).
Consult our sales staff in advance for information on the following applications:
 - Special applications (such as for airplanes, aerospace, automobiles, traffic control equipment, combustion equipment, life support systems and safety devices) in which exceptional quality and reliability are required, or if the failure or malfunction of the products may directly jeopardize life or harm the human body.
 - Any applications other than the standard applications intended.
- (4) The products and product specifications described in this book are subject to change without notice for modification and/or improvement. At the final stage of your design, purchasing, or use of the products, therefore, ask for the most up-to-date Product Standards in advance to make sure that the latest specifications satisfy your requirements.
- (5) When designing your equipment, comply with the range of absolute maximum rating and the guaranteed operating conditions (operating power supply voltage and operating environment etc.). Especially, please be careful not to exceed the range of absolute maximum rating on the transient state, such as power-on, power-off and mode-switching. Otherwise, we will not be liable for any defect which may arise later in your equipment.
 - Even when the products are used within the guaranteed values, take into the consideration of incidence of break down and failure mode, possible to occur to semiconductor products. Measures on the systems such as redundant design, arresting the spread of fire or preventing glitch are recommended in order to prevent physical injury, fire, social damages, for example, by using the products.
- (6) Comply with the instructions for use in order to prevent breakdown and characteristics change due to external factors (ESD, EOS, thermal stress and mechanical stress) at the time of handling, mounting or at customer's process. When using products for which damp-proof packing is required, satisfy the conditions, such as shelf life and the elapsed time since first opening the packages.
- (7) This book may be not reprinted or reproduced whether wholly or partially, without the prior written permission of Matsushita Electric Industrial Co., Ltd.