



SMA Female Bulkhead Connector Clamp/Solder Attachment For RG178, RG196, .235 inch D Hole

TECHNICAL DATA SHEET

PE4421

SMA Female Bulkhead Connector Clamp/Solder Attachment For RG178, RG196, .235 inch D Hole

Configuration

Connector	SMA Female
Connector Interface Type	RG178, RG196
Cable Attachment Method (Shield/Contact)	Clamp/Solder
Body Style	Straight
Mount Method	Bulkhead

Electrical Specifications

Impedance, Ohms	50
-----------------	----

Mechanical Specifications

Size

Length, in [mm]	0.9 [22.86]
Width/Dia., in [mm]	0.312 [8]
Weight, lbs [g]	0.013 [5.9]

Connector

Type	SMA Female
Contact Material and Plating	Beryllium Copper, Gold
Body Material and Plating	Brass, Nickel
Dielectric Type	PTFE

Compliance Certifications (visit www.Pasternack.com for current document)

RoHS Compliant	Yes
----------------	-----

Plotted and Other Data

Notes:	Values at 25 °C, sea level
--------	----------------------------

SMA Female Bulkhead Connector Clamp/Solder Attachment For RG178, RG196, .235 inch D Hole from Pasternack Enterprises has same day shipment for domestic and International orders. Our RF, microwave and fiber optic products maintain a 99% availability and are part of the broadest selection in the industry.

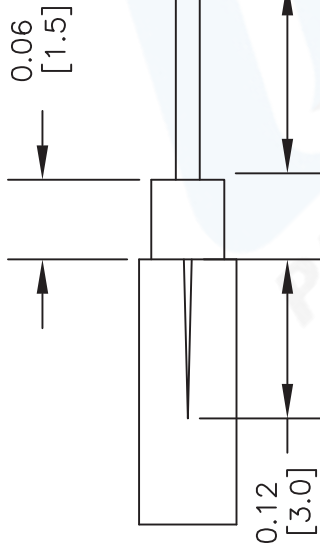
Click the following link (or enter part number in "SEARCH" on website) to obtain additional part information including price, inventory and certifications: [SMA Female Bulkhead Connector Clamp/Solder Attachment For RG178, RG196, .235 inch D Hole PE4421](http://www.pasternack.com/sma-female-standard-rg178-rg196-connector-pe4421-p.aspx)

URL: <http://www.pasternack.com/sma-female-standard-rg178-rg196-connector-pe4421-p.aspx>

The information contained in this document is accurate to the best of our knowledge and representative of the part described herein. It may be necessary to make modifications to the part and/or the documentation of the part, in order to implement improvements. Pasternack reserves the right to make such changes as required. Unless otherwise stated, all specifications are nominal.

PE4421 CAD Drawing

SMA Female Bulkhead Connector Clamp/Solder Attachment
For RG178, RG196, .235 inch D Hole

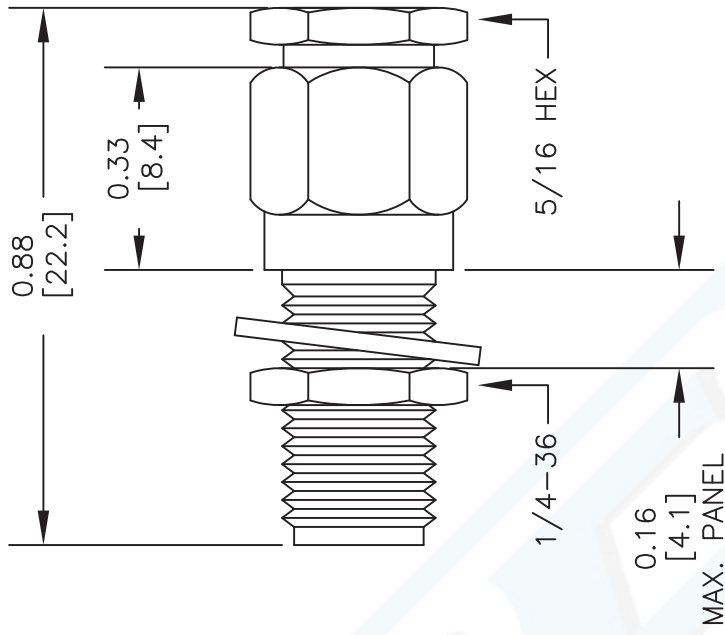


STRIPPING DIMENSIONS



ASSEMBLY PROCEDURES

1. SLIDE CLAMP NUT, STRIP CABLE AS SHOWN. DO NOT NICK CENTER CONDUCTOR. SLIT JACKET IN 2 PLACES. TIN CENTER CONDUCTOR
2. FLAIR BRAID AND INSERT CONTACT ASSEMBLY UNDER BRAID AND JACKET.
3. SOLDER CONTACT TO CENTER CONDUCTOR THRU HOLE IN CONTACT.
4. INSERT CABLE AND PARTS INTO BODY, THEN SCREW THE HEX NUT UNTIL IT IS TIGHT.



DWG TITLE

PE4421

- NOTES:
1. UNLESS OTHERWISE SPECIFIED ALL DIMENSIONS ARE NOMINAL.
 2. ALL SPECIFICATIONS ARE SUBJECT TO CHANGE WITHOUT NOTICE AT ANY TIME.
 3. DIMENSIONS ARE IN INCHES [mm].
 4. FITS MIL-C-17 AND EQUIVALENT CABLES.

FSCM NO. 53919

2233



PASTERNAK[®]
Pasternack Enterprises, Inc.
P.O. Box 16759 | Irvine | CA | 92623
Phone: (949) 261-1920 | Fax: (949) 261-7451
Website: www.pasternack.com | E-Mail: sales@pasternack.com

SIZE A

SCALE N/A

CAD FILE 111511-B