

REALTEK

NOT FOR PUBLIC RELEASE

**RTL8211E-VB-CG
RTL8211E-VL-CG
RTL8211EG-VB-CG**

INTEGRATED 10/100/1000M ETHERNET TRANSCEIVER

DATASHEET

(CONFIDENTIAL: Development Partners Only)

**Rev. 1.6
03 April 2012
Track ID: JATR-3375-16**



Realtek Semiconductor Corp.

No. 2, Innovation Road II, Hsinchu Science Park, Hsinchu 300, Taiwan

Tel.: +886-3-578-0211 Fax: +886-3-577-6047

www.realtek.com

COPYRIGHT

©2012 Realtek Semiconductor Corp. All rights reserved. No part of this document may be reproduced, transmitted, transcribed, stored in a retrieval system, or translated into any language in any form or by any means without the written permission of Realtek Semiconductor Corp.

DISCLAIMER

Realtek provides this document 'as is', without warranty of any kind. Realtek may make improvements and/or changes in this document or in the product described in this document at any time. This document could include technical inaccuracies or typographical errors.

TRADEMARKS

Realtek is a trademark of Realtek Semiconductor Corporation. Other names mentioned in this document are trademarks/registered trademarks of their respective owners.

LICENSE

This product is covered by one or more of the following patents: US5,307,459, US5,434,872, US5,732,094, US6,570,884, US6,115,776, and US6,327,625.

USING THIS DOCUMENT

This document is intended for the software engineer's reference and provides detailed programming information.

Though every effort has been made to ensure that this document is current and accurate, more information may have become available subsequent to the production of this guide.

REVISION HISTORY

Revision	Release Date	Summary
1.0	2009/08/31	First release.
1.1	2010/08/13	Added RTL8211EG-CG product data.
1.2	2010/08/16	Corrected minor typing errors.
1.3	2010/12/17	Added RTL8211E-VL-CG model number. Revised Table 23 BMCR (Basic Mode Control Register, Address 0x00), page 31. Revised Table 32 GBCR (1000Base-T Control Register, Address 0x09), page 37. Revised Table 40 INSR (Interrupt Status Register, Address 0x13), page 42. Revised Table 55 Power Sequence parameter, page 55. Revised Table 61 MDC/MDIO Management Timing Parameters, page 59. Added section 10.6.2 MII Transmission Cycle Timing, page 60. Added section 10.6.3 MII Reception Cycle Timing (RTL8211EG-VB Only), page 60. Revised Table 64 GMII Timing Parameters, page 62. Revised ordering numbers (see Table 66 Ordering Information, page 70).

Revision	Release Date	Summary
1.4	2011/05/17	<p>Revised section 2 Features, page 2.</p> <p>Revised section 3 System Applications, page 3.</p> <p>Added section 4 Block Diagram, page 5.</p> <p>Revised Table 6 Reset, page 11.</p> <p>Revised Table 10 Power and Ground, page 12.</p> <p>Added section 7.5 Interrupt, page 15.</p> <p>Revised section 7.7 Hardware Configuration, page 16.</p> <p>Revised Figure 7 LED and PHY Address Configuration, page 17.</p> <p>Revised section 7.9.2 Register Setting, page 18.</p> <p>Revised section 7.10.4 Management Interface, page 19.</p> <p>Revised section 7.10.5 Access to Extension Page (ExtPage), page 21.</p> <p>Added section 7.16 PHY Reset (Hardware Reset), page 29.</p> <p>Revised Table 23 BMCR (Basic Mode Control Register, Address 0x00), page 31.</p> <p>Revised Table 37 PHYCR (PHY Specific Control Register, Address 0x10), page 39.</p> <p>Revised Table 56 Absolute Maximum Ratings, page 56.</p> <p>Revised Table 57 Recommended Operating Conditions, page 56.</p> <p>Revised Table 60 DC Characteristics, page 58.</p> <p>Revised section 10.6.1 MDC/MDIO Timing, page 59.</p> <p>Revised section 10.6.2 MII Transmission Cycle Timing (RTL8211EG-VB Only), page 60.</p> <p>Revised Table 66 Ordering Information, page 70.</p>
1.5	2011/10/28	<p>Revised section 4 Block Diagram, page 5.</p> <p>Revised Table 35 MAADR (MMD Access Address Data Register, Address 0x0E), page 39.</p> <p>Revised Table 39 INER (Interrupt Enable Register, Address 0x12), page 41.</p> <p>Revised Table 55 Power Sequence parameter, page 55.</p> <p>Revised Table 60 DC Characteristics, page 58.</p> <p>Revised Table 62 MII Transmission Cycle Timing, page 60.</p> <p>Revised Table 63 MII Reception Cycle Timing, page 61.</p> <p>Revised section 10.6.5 RGMII Timing Modes, page 63.</p>
1.6	2012/04/03	<p>Revised Table 20 Register Mapping and Definitions, page 30.</p> <p>Added Table 22 ExtPage Register Mapping and Definition, page 31.</p> <p>Added Table 42 LDPSR (Link Down Power Saving Register, Address 0x1B), page 42.</p> <p>Added Table 43 EPAGSR (Extension Page Select Register, Address 0x1E), page 42.</p> <p>Added Table 51 LACR (LED Action Control Register, ExtPage 0x2c, Address 0x1a), page 45.</p> <p>Added Table 52 LCR (LED Control Register, ExtPage 0x2c, Address 0x1c), page 45.</p> <p>Added Table 53 ACCR (Auto-Crossover Control Register, ExtPage 0x2d, Address 0x18)45, page 45.</p> <p>Revised section 11.4 Mechanical Dimensions Notes (RTL8211EG-VB), page 69.</p>

Table of Contents

1. GENERAL DESCRIPTION.....	1
2. FEATURES.....	2
3. SYSTEM APPLICATIONS.....	3
3.1. APPLICATION DIAGRAM (RTL8211E-VB).....	3
3.2. APPLICATION DIAGRAM (RTL8211EG-VB).....	4
3.3. APPLICATION DIAGRAM (RTL8211E-VL).....	4
4. BLOCK DIAGRAM.....	5
5. PIN ASSIGNMENTS	6
5.1. RTL8211E-VB/RTL8211E-VL PIN ASSIGNMENTS (48-PIN QFN).....	6
5.2. PACKAGE IDENTIFICATION.....	6
5.3. RTL8211EG-VB PIN ASSIGNMENTS (64-PIN QFN).....	7
5.4. PACKAGE IDENTIFICATION.....	7
6. PIN DESCRIPTIONS	8
6.1. TRANSCEIVER INTERFACE.....	8
6.2. CLOCK	8
6.3. RGMII.....	9
6.4. GMII (RTL8211EG-VB ONLY)	9
6.5. MANAGEMENT INTERFACE.....	10
6.6. RESET	11
6.7. MODE SELECTION	11
6.8. LED DEFAULT SETTINGS.....	11
6.9. REGULATOR AND REFERENCE.....	12
6.10. POWER AND GROUND	12
6.11. NOT CONNECTED.....	12
7. FUNCTION DESCRIPTION	13
7.1. TRANSMITTER.....	13
7.1.1. RGMII/GMII (1000Mbps) Mode.....	13
7.1.2. MII (100Mbps) Mode.....	13
7.1.3. MII (10Mbps) Mode.....	13
7.2. RECEIVER.....	13
7.2.1. RGMII/GMII (1000Mbps) Mode.....	13
7.2.2. MII (100Mbps) Mode.....	13
7.2.3. MII (10Mbps) Mode.....	14
7.3. ENERGY EFFICIENT ETHERNET (EEE).....	14
7.4. WAKE-ON-LAN (WOL).....	14
7.5. INTERRUPT	15
7.6. MDI INTERFACE	15
7.7. HARDWARE CONFIGURATION	16
7.8. LED AND PHY ADDRESS CONFIGURATION	17
7.9. GREEN ETHERNET (1000/100Mbps MODE ONLY)	18
7.9.1. Cable Length Power Saving.....	18
7.9.2. Register Setting.....	18
7.10. MAC/PHY INTERFACE	19
7.10.1. MII.....	19

7.10.2.	<i>GMII</i>	19
7.10.3.	<i>RGMII</i>	19
7.10.4.	<i>Management Interface</i>	19
7.10.5.	<i>Access to Extension Page (ExtPage)</i>	21
7.10.6.	<i>Access to MDIO Manageable Device (MMD)</i>	21
7.11.	AUTO-NEGOTIATION	22
7.11.1.	<i>Auto-Negotiation Priority Resolution</i>	24
7.11.2.	<i>Auto-Negotiation Master/Slave Resolution</i>	25
7.11.3.	<i>Auto-Negotiation PAUSE/ASYMMETRIC PAUSE Resolution</i>	25
7.12.	CROSSOVER DETECTION AND AUTO-CORRECTION	26
7.13.	LED CONFIGURATION	27
7.14.	POLARITY CORRECTION	28
7.15.	POWER	29
7.16.	PHY RESET (HARDWARE RESET)	29
8.	REGISTER DESCRIPTIONS	30
8.1.	REGISTER MAPPING AND DEFINITIONS	30
8.2.	MMD REGISTER MAPPING AND DEFINITION	31
8.3.	EXTPAGE REGISTER MAPPING AND DEFINITION	31
8.4.	REGISTER TABLE	31
8.4.1.	<i>BMCR (Basic Mode Control Register, Address 0x00)</i>	31
8.4.2.	<i>BMSR (Basic Mode Status Register, Address 0x01)</i>	33
8.4.3.	<i>PHYID1 (PHY Identifier Register 1, Address 0x02)</i>	34
8.4.4.	<i>PHYID2 (PHY Identifier Register 2, Address 0x03)</i>	34
8.4.5.	<i>ANAR (Auto-Negotiation Advertising Register, Address 0x04)</i>	34
8.4.6.	<i>ANLPAR (Auto-Negotiation Link Partner Ability Register, Address 0x05)</i>	35
8.4.7.	<i>ANER (Auto-Negotiation Expansion Register, Address 0x06)</i>	36
8.4.8.	<i>ANNPTR (Auto-Negotiation Next Page Transmit Register, Address 0x07)</i>	36
8.4.9.	<i>ANNPRR (Auto-Negotiation Next Page Receive Register, Address 0x08)</i>	37
8.4.10.	<i>GBCR (1000Base-T Control Register, Address 0x09)</i>	37
8.4.11.	<i>GBSR (1000Base-T Status Register, Address 0x0A)</i>	38
8.4.12.	<i>MACR (MMD Access Control Register, Address 0x0D)</i>	38
8.4.13.	<i>MAADR (MMD Access Address Data Register, Address 0x0E)</i>	39
8.4.14.	<i>GBESR (1000Base-T Extended Status Register, Address 0x0F)</i>	39
8.4.15.	<i>PHYCR (PHY Specific Control Register, Address 0x10)</i>	39
8.4.16.	<i>PHYSR (PHY Specific Status Register, Address 0x11)</i>	40
8.4.17.	<i>INER (Interrupt Enable Register, Address 0x12)</i>	41
8.4.18.	<i>INSR (Interrupt Status Register, Address 0x13)</i>	42
8.4.19.	<i>RXERC (Receive Error Counter, Address 0x18)</i>	42
8.4.20.	<i>LDPSR (Link Down Power Saving Register, Address 0x1B)</i>	42
8.4.21.	<i>EPAGSR (Extension Page Select Register, Address 0x1E)</i>	42
8.4.22.	<i>PAGSEL (Page Select Register, Address 0x1F)</i>	43
8.4.23.	<i>PC1R (PCS Control 1 Register, MMD Device 3, Address 0x00)</i>	43
8.4.24.	<i>PS1R (PCS Status1 Register, MMD Device 3, Address 0x01)</i>	43
8.4.25.	<i>EEECR (EEE Capability Register, MMD Device 3, Address 0x14)</i>	44
8.4.26.	<i>EEEWER (EEE Wake Error Register, MMD Device 3, Address 0x16)</i>	44
8.4.27.	<i>EEEAR (EEE Advertisement Register, MMD Device 7, Address 0x3c)</i>	44
8.4.28.	<i>EEELPAR (EEE Link Partner Ability Register, MMD Device 7, Address 0x3d)</i>	44
8.4.29.	<i>LACR (LED Action Control Register, ExtPage 0x2c, Address 0x1a)</i>	45
8.4.30.	<i>LCR (LED Control Register, ExtPage 0x2c, Address 0x1c)</i>	45
8.4.31.	<i>ACCR (Auto-Crossover Control Register, ExtPage 0x2d, Address 0x18)</i>	45
9.	SWITCHING REGULATOR	46
9.1.	PCB LAYOUT	46

9.2.	INDUCTOR AND CAPACITOR PARTS LIST	47
9.3.	MEASUREMENT CRITERIA	48
9.4.	EFFICIENCY MEASUREMENT	54
9.5.	POWER SEQUENCE	55
10.	CHARACTERISTICS.....	56
10.1.	ABSOLUTE MAXIMUM RATINGS.....	56
10.2.	RECOMMENDED OPERATING CONDITIONS	56
10.3.	CRYSTAL REQUIREMENTS.....	57
10.4.	OSCILLATOR/EXTERNAL CLOCK REQUIREMENTS	57
10.5.	DC CHARACTERISTICS	58
10.6.	AC CHARACTERISTICS	59
10.6.1.	<i>MDC/MDIO Timing</i>	<i>59</i>
10.6.2.	<i>MII Transmission Cycle Timing (RTL8211EG-VB Only).....</i>	<i>60</i>
10.6.3.	<i>MII Reception Cycle Timing (RTL8211EG-VB Only)</i>	<i>61</i>
10.6.4.	<i>GMII Timing Modes (RTL8211EG-VB Only).....</i>	<i>62</i>
10.6.5.	<i>RGMII Timing Modes.....</i>	<i>63</i>
11.	MECHANICAL DIMENSIONS.....	66
11.1.	RTL8211E-VB/RTL8211E-VL MECHANICAL DIMENSIONS (48-PIN QFN).....	66
11.2.	MECHANICAL DIMENSIONS NOTES (RTL8211E-VB/RTL8211E-VL)	67
11.3.	RTL8211EG-VB MECHANICAL DIMENSIONS (64-PIN QFN)	68
11.4.	MECHANICAL DIMENSIONS NOTES (RTL8211EG-VB)	69
12.	ORDERING INFORMATION.....	70

List of Tables

TABLE 1. TRANSCEIVER INTERFACE	8
TABLE 2. CLOCK	8
TABLE 3. RGMII	9
TABLE 4. GMII (RTL8211EG-VB ONLY)	9
TABLE 5. MANAGEMENT INTERFACE	10
TABLE 6. RESET	11
TABLE 7. MODE SELECTION	11
TABLE 8. LED DEFAULT SETTINGS	11
TABLE 9. REGULATOR AND REFERENCE	12
TABLE 10. POWER AND GROUND	12
TABLE 11. NOT CONNECTED	12
TABLE 12. CONFIG PINS VS. CONFIGURATION REGISTER	16
TABLE 13. CONFIGURATION REGISTER DEFINITION	16
TABLE 14. MANAGEMENT FRAME FORMAT	20
TABLE 15. MANAGEMENT FRAME DESCRIPTION	20
TABLE 16. 1000BASE-T BASE AND NEXT PAGE BIT ASSIGNMENTS	22
TABLE 17. LED DEFAULT DEFINITIONS	27
TABLE 18. LED REGISTER TABLE	27
TABLE 19. LED CONFIGURATION TABLE	28
TABLE 20. REGISTER MAPPING AND DEFINITIONS	30
TABLE 21. MMD REGISTER MAPPING AND DEFINITION	31
TABLE 22. EXT PAGE REGISTER MAPPING AND DEFINITION	31
TABLE 23. BMCR (BASIC MODE CONTROL REGISTER, ADDRESS 0x00)	31
TABLE 24. BMSR (BASIC MODE STATUS REGISTER, ADDRESS 0x01)	33
TABLE 25. PHYID1 (PHY IDENTIFIER REGISTER 1, ADDRESS 0x02)	34
TABLE 26. PHYID2 (PHY IDENTIFIER REGISTER 2, ADDRESS 0x03)	34
TABLE 27. ANAR (AUTO-NEGOTIATION ADVERTISING REGISTER, ADDRESS 0x04)	34
TABLE 28. ANLPAR (AUTO-NEGOTIATION LINK PARTNER ABILITY REGISTER, ADDRESS 0x05)	35
TABLE 29. ANER (AUTO-NEGOTIATION EXPANSION REGISTER, ADDRESS 0x06)	36
TABLE 30. ANNPTR (AUTO-NEGOTIATION NEXT PAGE TRANSMIT REGISTER, ADDRESS 0x07)	36
TABLE 31. ANNPRR (AUTO-NEGOTIATION NEXT PAGE RECEIVE REGISTER, ADDRESS 0x08)	37
TABLE 32. GBCR (1000BASE-T CONTROL REGISTER, ADDRESS 0x09)	37
TABLE 33. GBSR (1000BASE-T STATUS REGISTER, ADDRESS 0x0A)	38
TABLE 34. MACR (MMD ACCESS CONTROL REGISTER, ADDRESS 0x0D)	38
TABLE 35. MAADR (MMD ACCESS ADDRESS DATA REGISTER, ADDRESS 0x0E)	39
TABLE 36. GBESR (1000BASE-T EXTENDED STATUS REGISTER, ADDRESS 0x0F)	39
TABLE 37. PHYCR (PHY SPECIFIC CONTROL REGISTER, ADDRESS 0x10)	39
TABLE 38. PHYSR (PHY SPECIFIC STATUS REGISTER, ADDRESS 0x11)	40
TABLE 39. INER (INTERRUPT ENABLE REGISTER, ADDRESS 0x12)	41
TABLE 40. INSR (INTERRUPT STATUS REGISTER, ADDRESS 0x13)	42
TABLE 41. RXERC (RECEIVE ERROR COUNTER, ADDRESS 0x18)	42
TABLE 42. LDPSR (LINK DOWN POWER SAVING REGISTER, ADDRESS 0x1B)	42
TABLE 43. EPAGSR (EXTENSION PAGE SELECT REGISTER, ADDRESS 0x1E)	42
TABLE 44. PAGSEL (PAGE SELECT REGISTER, ADDRESS 0x1F)	43
TABLE 45. PC1R (PCS CONTROL 1 REGISTER, MMD DEVICE 3, ADDRESS 0x00)	43
TABLE 46. PS1R (PCS STATUS 1 REGISTER, MMD DEVICE 3, ADDRESS 0x01)	43
TABLE 47. EEECR (EEE CAPABILITY REGISTER, MMD DEVICE 3, ADDRESS 0x14)	44
TABLE 48. EEEWER (EEE WAKE ERROR REGISTER, MMD DEVICE 3, ADDRESS 0x16)	44
TABLE 49. EEEAR (EEE ADVERTISEMENT REGISTER, MMD DEVICE 7, ADDRESS 0x3C)	44
TABLE 50. EEELPAR (EEE LINK PARTNER ABILITY REGISTER, MMD DEVICE 7, ADDRESS 0x3D)	44
TABLE 51. LACR (LED ACTION CONTROL REGISTER, EXT PAGE 0x2C, ADDRESS 0x1A)	45

TABLE 52. LCR (LED CONTROL REGISTER, EXTPage 0x2C, ADDRESS 0x1C)	45
TABLE 53. ACCR (AUTO-CROSSOVER CONTROL REGISTER, EXTPage 0x2D, ADDRESS 0x18)	45
TABLE 54. INDUCTOR AND CAPACITOR PARTS LIST	47
TABLE 55. POWER SEQUENCE PARAMETER	55
TABLE 56. ABSOLUTE MAXIMUM RATINGS	56
TABLE 57. RECOMMENDED OPERATING CONDITIONS	56
TABLE 58. CRYSTAL REQUIREMENTS	57
TABLE 59. OSCILLATOR/EXTERNAL CLOCK REQUIREMENTS	57
TABLE 60. DC CHARACTERISTICS	58
TABLE 61. MDC/MDIO MANAGEMENT TIMING PARAMETERS	59
TABLE 62. MII TRANSMISSION CYCLE TIMING	60
TABLE 63. MII RECEPTION CYCLE TIMING	61
TABLE 64. GMII TIMING PARAMETERS	62
TABLE 65. RGMII TIMING PARAMETERS	65
TABLE 66. ORDERING INFORMATION	70

List of Figures

FIGURE 1. APPLICATION DIAGRAM (RTL8211E-VB).....	3
FIGURE 2. APPLICATION DIAGRAM (RTL8211EG-VB).....	4
FIGURE 3. APPLICATION DIAGRAM (RTL8211EG-VL).....	4
FIGURE 4. BLOCK DIAGRAM.....	5
FIGURE 5. RTL8211E-VB/RTL8211E-VL PIN ASSIGNMENTS (48-PIN QFN)	6
FIGURE 6. RTL8211EG-VB PIN ASSIGNMENTS (64-PIN QFN).....	7
FIGURE 7. LED AND PHY ADDRESS CONFIGURATION	17
FIGURE 8. MDC/MDIO READ TIMING	20
FIGURE 9. MDC/MDIO WRITE TIMING.....	21
FIGURE 10. PHY RESET TIMING.....	29
FIGURE 11. SWITCHING REGULATOR.....	46
FIGURE 12. INPUT VOLTAGE OVERSHOOT <4V (GOOD).....	48
FIGURE 13. INPUT VOLTAGE OVERSHOOT >4V (BAD).....	48
FIGURE 14. CERAMIC 10 μ F 0603 (X5R) (GOOD)	49
FIGURE 15. L=GLK2510P-2R2M, C=CERAMIC 4.7 μ F 0805 X5R TDK (RIPPLE 12.4mV).....	49
FIGURE 16. L=GLK2510P-2R2M, C=CERAMIC 10 μ F 0603 X5R YAGEO (RIPPLE 13.2mV)	50
FIGURE 17. L=GLK2510P-4R7M, C=CERAMIC 4.7 μ F 0805 X5R TDK (RIPPLE 12mV)	50
FIGURE 18. L=GLK2510P-4R7M, C=CERAMIC 10 μ F 0603 X5R YAGEO (RIPPLE 11.2mV)	51
FIGURE 19. L=GTSD32P-2R2M, C=CERAMIC 4.7 μ F 0805 X5R TDK (RIPPLE 9.2mV).....	51
FIGURE 20. CERAMIC 10 μ F (Y5V) (BAD).....	52
FIGURE 21. ELECTROLYTIC 100 μ F (RIPPLE TOO HIGH).....	52
FIGURE 22. GTSD32P-2R2M (GOOD).....	53
FIGURE 23. 1 μ H BEAD (BAD).....	53
FIGURE 24. SWITCHING REGULATOR EFFICIENCY MEASUREMENT CHECKPOINT	54
FIGURE 25. POWER SEQUENCE.....	55
FIGURE 26. MDC/MDIO SETUP, HOLD TIME, AND VALID FROM MDC RISING EDGE TIME DEFINITIONS	59
FIGURE 27. MDC/MDIO MANAGEMENT TIMING PARAMETERS	59
FIGURE 28. MII INTERFACE SETUP/HOLD TIME DEFINITIONS	60
FIGURE 29. MII TRANSMISSION CYCLE TIMING.....	60
FIGURE 30. MII RECEPTION CYCLE TIMING.....	61
FIGURE 31. GMII TIMING	62
FIGURE 32. RGMII TIMING MODES (FOR TXC)	63
FIGURE 33. RGMII TIMING MODES (FOR RXC).....	64

1. General Description

The Realtek RTL8211E-VB-CG/RTL8211E-VL-CG/RTL8211EG-VB-CG are highly integrated Ethernet transceivers that comply with 10Base-T, 100Base-TX, and 1000Base-T IEEE 802.3 standards. They provide all the necessary physical layer functions to transmit and receive Ethernet packets over CAT.5 UTP cable.

The RTL8211E-VB(VL)/RTL8211EG-VB uses state-of-the-art DSP technology and an Analog Front End (AFE) to enable high-speed data transmission and reception over UTP cable. Functions such as Crossover Detection & Auto-Correction, polarity correction, adaptive equalization, cross-talk cancellation, echo cancellation, timing recovery, and error correction are implemented in the RTL8211E-VB(VL)/RTL8211EG-VB to provide robust transmission and reception capabilities at 10Mbps, 100Mbps, or 1000Mbps.

Data transfer between MAC and PHY is via the Reduced Gigabit Media Independent Interface (RGMII) or Gigabit Media Independent Interface (GMII) for 1000Base-T, 10Base-T, and 100Base-TX. The RTL8211E-VB and RTL8211EG-VB support 3.3V or 2.5V signaling for RGMII/GMII. The RTL8211E-VL supports 1.5/1.8V signaling for RGMII.

2. Features

- 1000Base-T IEEE 802.3ab Compliant
- 100Base-TX IEEE 802.3u Compliant
- 10Base-T IEEE 802.3 Compliant
- Supports RGMII (RTL8211E-VB, RTL8211E-VL, RTL8211EG-VB)
- Supports GMII (RTL8211EG-VB)
- Supports IEEE 802.3az-2010 (Energy Efficient Ethernet)
- Built-in Wake-on-LAN (WOL)
- Supports Interrupt function
- Supports Parallel Detection
- Crossover Detection & Auto-Correction
- Automatic polarity correction
- Supports PHYRSTB core power Turn-Off
- Baseline Wander Correction
- Supports 120m for CAT.5 cable in 1000Base-T
- Supports 3.3V or 2.5V signaling for RGMII/GMII (RTL8211E-VB, RTL8211EG-VB)
- Supports 1.5V and 1.8V signaling for RGMII (RTL8211E-VL)
- Supports 25/50MHz external crystal or OSC
- Provides 125MHz clock source for MAC
- Provides 3 network status LEDs
- Supports Link Down power saving
- Green Ethernet (1000/100Mbps mode only)
- Built-in switching regulator
- Packages
 - ◆ 48-pin QFN (RTL8211E-VB, RTL8211E-VL)
 - ◆ 64-pin QFN (RTL8211EG-VB)
- 0.11μm process with very low power consumption

3. System Applications

- DTV (Digital TV)
- MAU (Media Access Unit)
- CNR (Communication and Network Riser)
- Game Console
- Printer and Office Machine
- DVD Player and Recorder
- Ethernet Hub
- Ethernet Switch

In addition, can be used in any embedded system with an Ethernet MAC that needs a UTP physical connection.

3.1. Application Diagram (RTL8211E-VB)

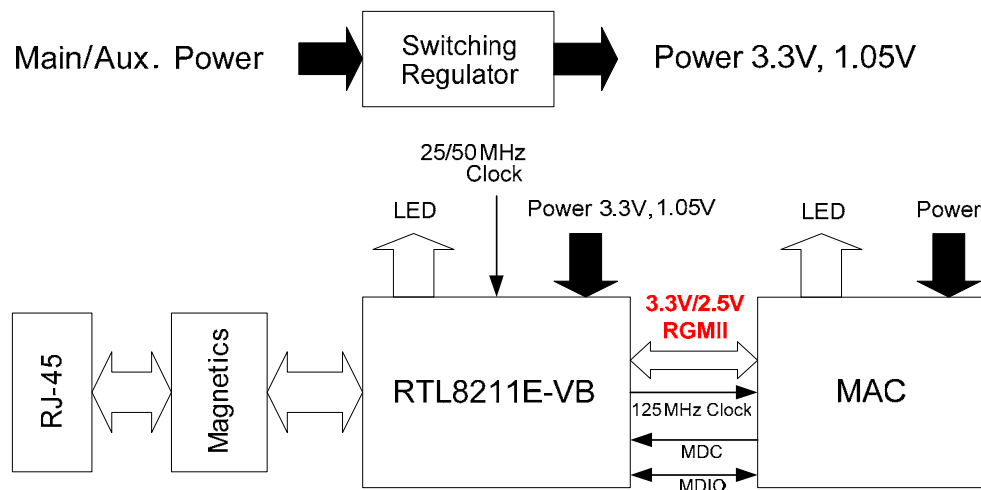


Figure 1. Application Diagram (RTL8211E-VB)

3.2. Application Diagram (RTL8211EG-VB)

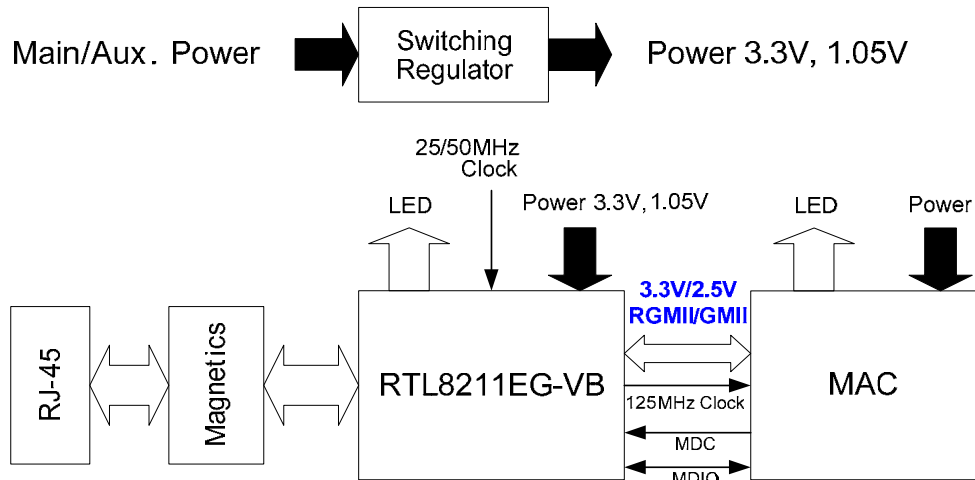


Figure 2. Application Diagram (RTL8211EG-VB)

3.3. Application Diagram (RTL8211E-VL)

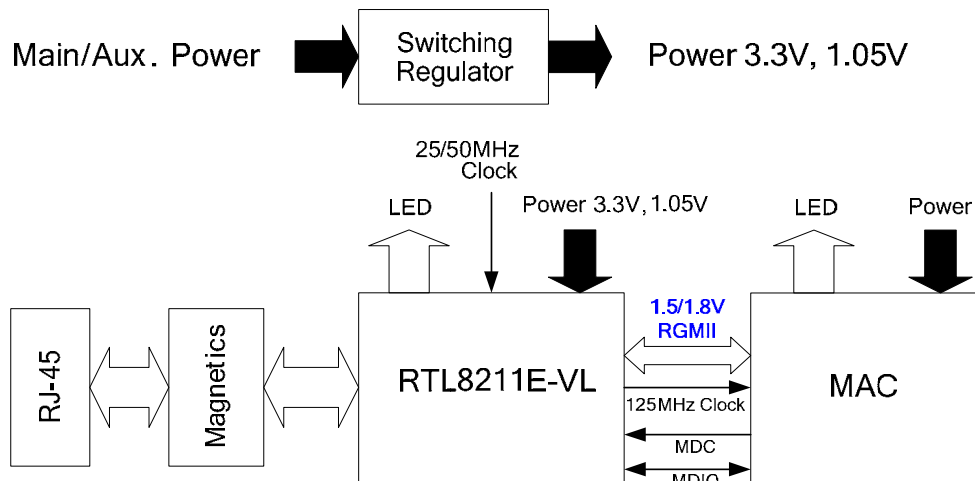


Figure 3. Application Diagram (RTL8211E-VL)

4. Block Diagram

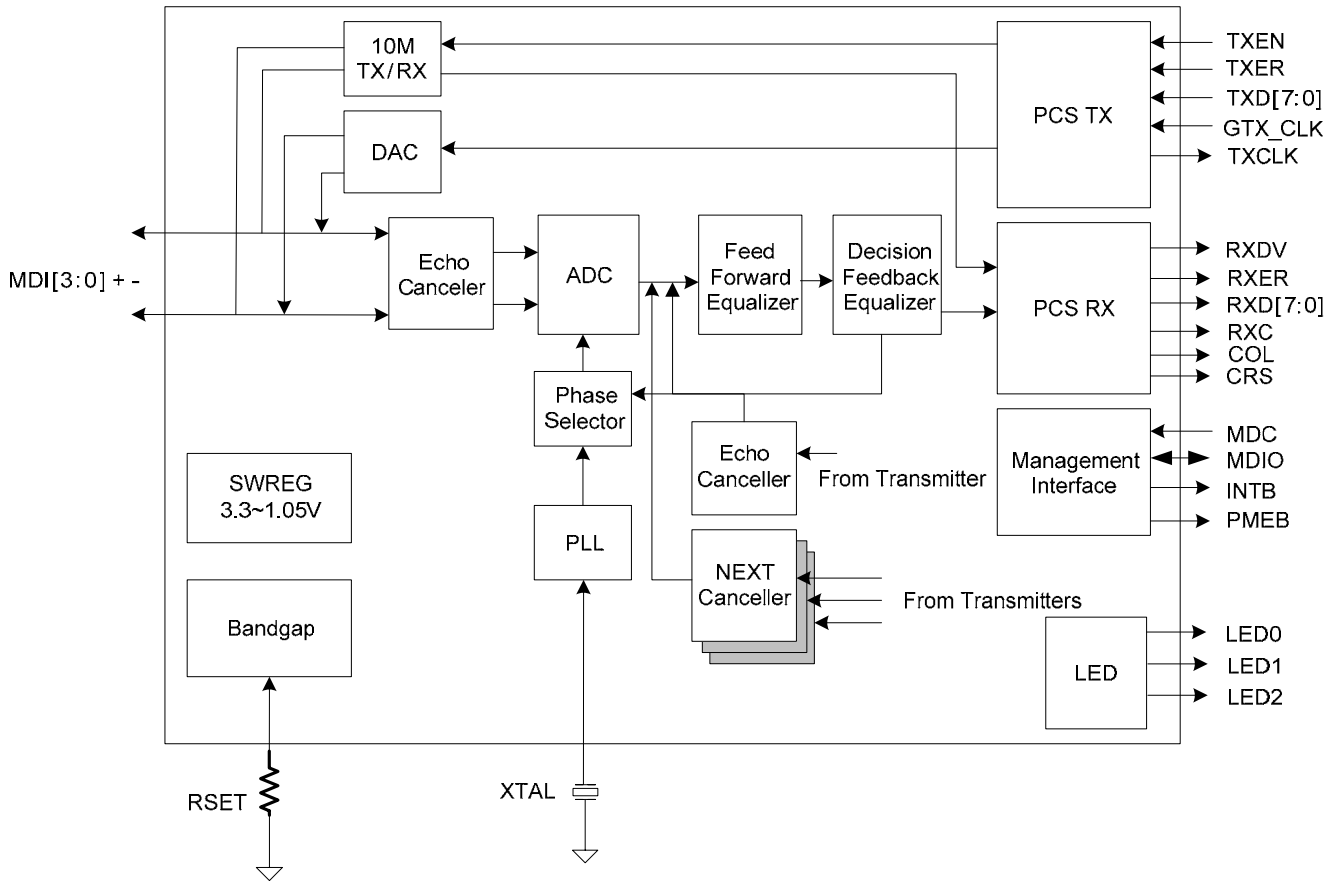


Figure 4. Block Diagram

5. Pin Assignments

5.1. RTL8211E-VB/RTL8211E-VL Pin Assignments (48-Pin QFN)

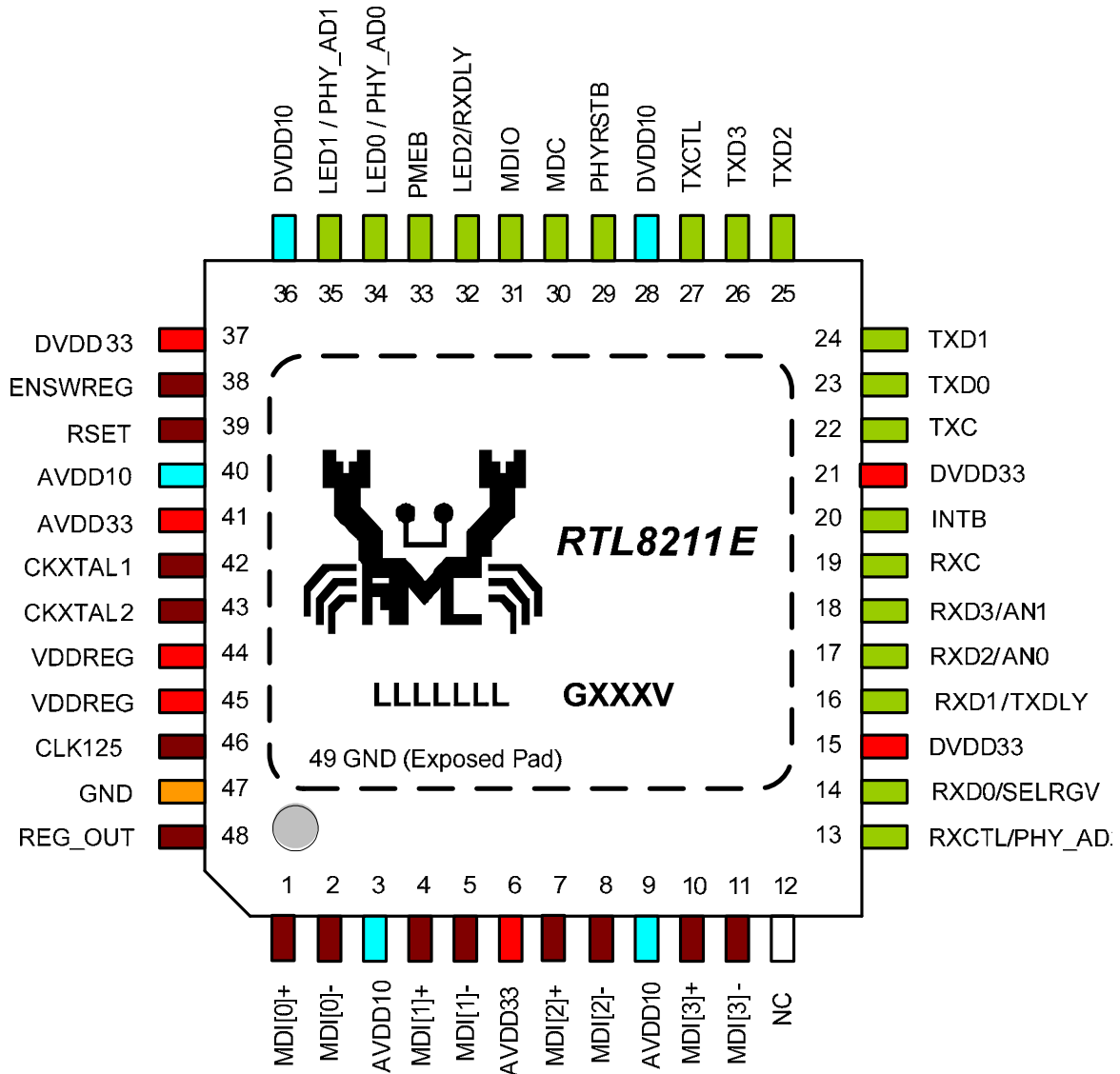


Figure 5. RTL8211E-VB/RTL8211E-VL Pin Assignments (48-Pin QFN)

5.2. Package Identification

Green package is indicated by the 'G' in GXXXV (Figure 5). The version is shown in the location marked 'V'.

5.3. RTL8211EG-VB Pin Assignments (64-Pin QFN)

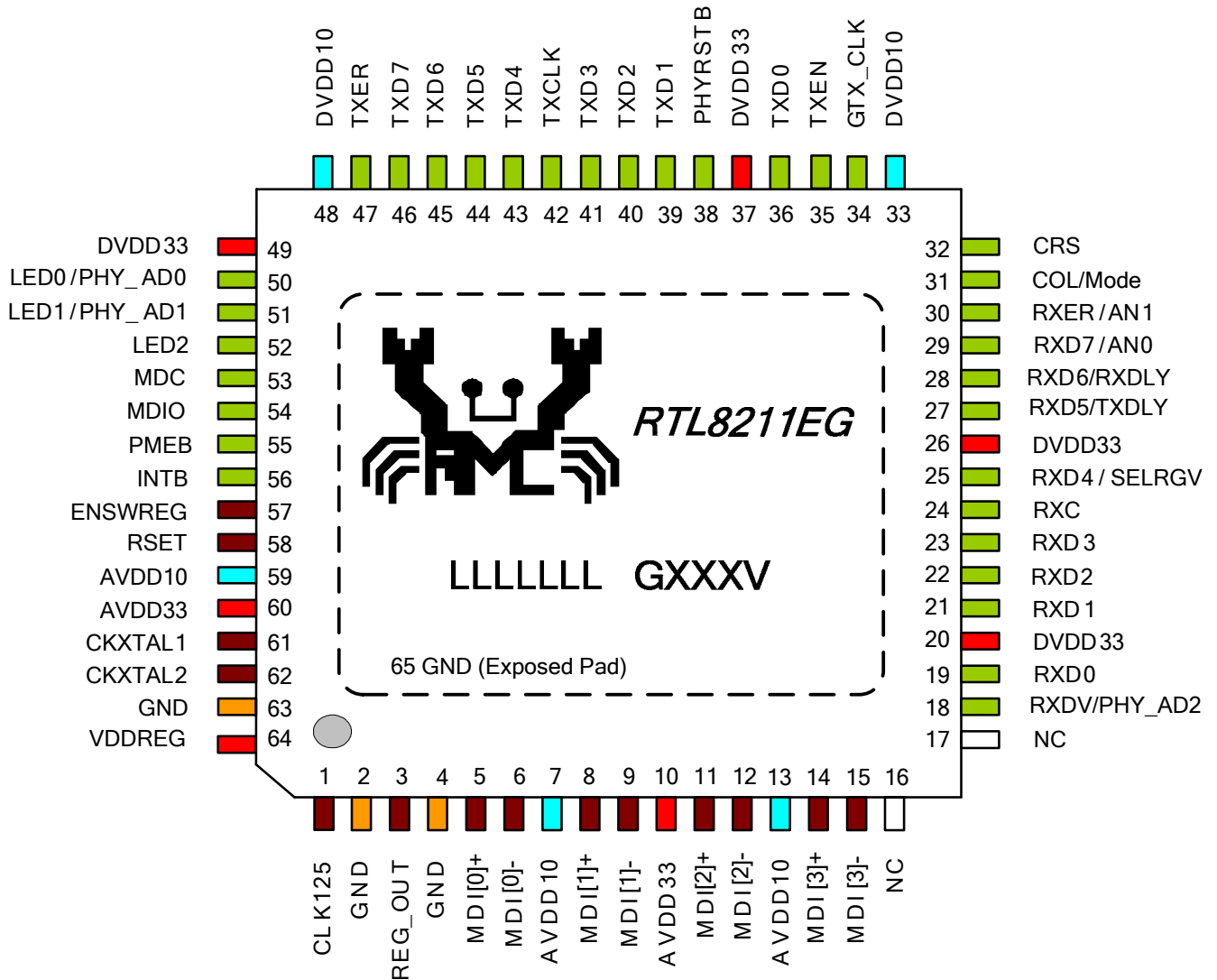


Figure 6. RTL8211EG-VB Pin Assignments (64-Pin QFN)

5.4. Package Identification

Green package is indicated by the ‘G’ in GXXXV (Figure 6). The version is shown in the location marked ‘V’.

6. Pin Descriptions

Note that some pins have multiple functions. Refer to the Pin Assignments figure on page 6 (RTL8211E-VB/RTL8211E-VL) and page 7 (RTL8211EG-VB) for a graphical representation.

I: Input	LI: Latched Input during Power up or Reset
O: Output	IO: Bi-directional input and output
P: Power	PD: Internal Pull down during power on reset
PU: Internal Pull up during power on reset	OD: Open Drain
G: Ground	

6.1. Transceiver Interface

Table 1. Transceiver Interface

Pin No. (48-pin)	Pin No. (64-pin)	Pin Name	Type	Description
1	5	MDI[0]+	IO	In MDI mode, this is the first pair in 1000Base-T, i.e., the BI_DA+/- pair, and is the transmit pair in 10Base-T and 100Base-TX.
2	6	MDI[0]-	IO	In MDI crossover mode, this pair acts as the BI_DB+/- pair, and is the receive pair in 10Base-T and 100Base-TX.
4	8	MDI[1]+	IO	In MDI mode, this is the second pair in 1000Base-T, i.e., the BI_DB+/- pair, and is the receive pair in 10Base-T and 100Base-TX.
5	9	MDI[1]-	IO	In MDI crossover mode, this pair acts as the BI_DA+/- pair, and is the transmit pair in 10Base-T and 100Base-TX.
7	11	MDI[2]+	IO	In MDI mode, this is the third pair in 1000Base-T, i.e., the BI_DC+/- pair.
8	12	MDI[2]-	IO	In MDI crossover mode, this pair acts as the BI_DD+/- pair.
10	14	MDI[3]+	IO	In MDI mode, this is the fourth pair in 1000Base-T, i.e., the BI_DD+/- pair.
11	15	MDI[3]-	IO	In MDI crossover mode, this pair acts as the BI_DC+/- pair.

6.2. Clock

Table 2. Clock

Pin No. (48-pin)	Pin No. (64-pin)	Pin Name	Type	Description
42	61	CKXTAL1	I	25/50MHz Crystal Input. If a 25/50MHz oscillator is used, connect CKXTAL1 to the oscillator's output (see section 10.3, page 57 for clock source specifications).
43	62	CKXTAL2	O	25/50MHz Crystal Output. Connect to GND if an external 25/50MHz oscillator drives CKXTAL1.
46	1	CLK125	O/PD	125MHz Reference Clock Generated from Internal PLL. This pin should be kept floating if the 125MHz clock is not used by MAC.

Note: For those who conduct crystal ppm measurement for the models transited from RTL8211D to RTL8211E, note that the design of external circuit shall be modified, i.e. the output resistor should be connected to CKXTAL1 rather than CKXTAL2.

6.3. RGMII

Table 3. RGMII

Pin No. (48-pin)	Pin No. (64-pin)	Pin Name	Type (48-pin)	Type (64-pin)	Description
22	-	TXC	I/PU		The transmit reference clock will be 125MHz, 25MHz, or 2.5MHz depending on speed.
-	34	GTX_CLK	I		
23	36	TXD0	I/PD		Transmit Data. Data is transmitted from MAC to PHY via TXD[3:0].
24	39	TXD1	I/PD		
25	40	TXD2	I/PD		
26	41	TXD3	I/PU		
27	-	TXCTL	I		Receive Control Signal from the MAC.
-	35	TXEN			
19	24	RXC	O		The continuous receive reference clock will be 125MHz, 25MHz, or 2.5MHz, and is derived from the received data stream.
14	19	RXD0	O/LI/PU	O	Receive Data. Data is transmitted from PHY to MAC via RXD[3:0].
16	21	RXD1	O/LI/PD	O	
17	22	RXD2	O/LI/PU	O	
18	23	RXD3	O/LI/PU	O	
13	-	RXCTL	O/LI/PD		Transmit Control Signal to the MAC.
-	18	RXDV			
16	27	TXDLY	O/LI/PD		RGMII Transmit Clock Timing Control. 1: Add 2ns delay to TXC for TXD latching
32	28	RXDLY	O/LI/PD		RGMII Receiver Clock Timing Control. 1: Add 2ns delay to RXC for RXD latching

6.4. GMII (RTL8211EG-VB Only)

Table 4. GMII (RTL8211EG-VB Only)

Pin No. (48-pin)	Pin No. (64-pin)	Pin Name	Type	Description
-	34	GTX_CLK	I	The transmit reference clock is 125MHz.
-	42	TXCLK	O	The transmit reference clock will be 25MHz, or 2.5MHz depending on speed.
-	36	TXD0	I	Transmit Data. Data is transmitted from MAC to PHY via TXD[7:0].
-	39	TXD1	I	
-	40	TXD2	I	
-	41	TXD3	I	
-	43	TXD4	I	
-	44	TXD5	I	
-	45	TXD6	I	
-	46	TXD7	I	
-	35	TXEN	I	Transmit Enable.

Pin No. (48-pin)	Pin No. (64-pin)	Pin Name	Type	Description
-	47	TXER	I	Transmit Error. When both TXER and TXEN are asserted, the transmit error symbol is transmitted onto the cable. When TXER is asserted and TXEN is de-asserted, the carrier extension symbol is transmitted onto the cable. Connect to GND if MAC does not have a TXER pin.
-	24	RXC	O	The continuous receive reference clock will be 125MHz, 25MHz, or 2.5MHz. It is derived from the received data stream.
-	19	RXD0	O	Receive Data. Data is transmitted from PHY to MAC via RXD[7:0].
-	21	RXD1	O	
-	22	RXD2	O	
-	23	RXD3	O	
-	25	RXD4	O/LI/PU	
-	27	RXD5	O/LI/PD	
-	28	RXD6	O/LI/PD	
-	29	RXD7	O/LI/PU	
-	18	RXDV	O/LI/PD	Receive Data Valid.
-	30	RXER	O/LI/PU	Receive Error. When both RXER and RXDV are asserted, an error symbol is received from the cable. When RXER is asserted and RXDV is de-asserted, it means false carrier or carrier extension symbol is detected on the cable.
-	31	COL/Mode	O/LI/PD	Collision In Half Duplex Mode.
-	32	CRS	O/PD	Carrier Sense.

6.5. Management Interface

Table 5. Management Interface

Pin No. (48-pin)	Pin No. (64-pin)	Pin Name	Type	Description
30	53	MDC	I/PU	Management Data Clock.
31	54	MDIO	IO/PU	Input/Output of Management Data. Pull up 3.3V for 3.3V RGMII (RTL8211E/EG-VB) & GMII (RTL8211EG-VB). Pull up 2.5V for 2.5V RGMII (RTL8211E/EG-VB) & GMII (RTL8211EG-VB). Pull up 1.5/1.8V for 1.5/1.8V RGMII (RTL8211E-VL).
33	55	PMEB	O/OD	Power Management Event (supports 3.3V and 5V pull up). Set low if received a magic packet or wake up frame; active low. This pin will be kept floating if this function is not used.
20	56	INTB	O/OD	Interrupt. Set low if status changed; active low. This pin will be kept floating if this function is not used.

6.6. Reset

Table 6. Reset

Pin No. (48-pin)	Pin No. (64-pin)	Pin Name	Type	Description
29	38	PHYRSTB	I	Hardware Reset. Active low. For a complete PHY reset, this pin must be asserted low for at least 10ms. All registers will be cleared after a hardware reset.

6.7. Mode Selection

Table 7. Mode Selection

Pin No. (48-pin)	Pin No. (64-pin)	Pin Name	Type (48-pin)	Type (64-pin)	Description
34	50	PHY_AD0	O/LI/PU		PHY Address Configuration.
35	51	PHY_AD1	O/LI/PD		
13	18	PHY_AD2	O/LI/PD		
17	29	AN0	O/LI/PU		Auto-Negotiation (NWay) Configuration.
18	30	AN1	O/LI/PU		
-	31	COL/Mode	-	O/LI/PD	RGMII/GMII Mode Configuration. Pull Up for RGMII. Pull Down for GMII.
14	25	SELRGV	O/LI/PU		Pull Up for 3.3V RGMII (RTL8211E/EG-VB) & GMII (RTL8211EG-VB). Pull Down for 2.5V RGMII (RTL8211E/EG-VB) & GMII (RTL8211EG-VB). Pull Up for 1.5/1.8V RGMII (RTL8211E-VL). <i>Note: For the RTL8211E-VL, SELRGV should not be Pulled Down.</i>

Note: See section 7.7 Hardware Configuration, page 16 for details.

6.8. LED Default Settings

Table 8. LED Default Settings

Pin No. (48-pin)	Pin No. (64-pin)	Pin Name	Type	Description
34	50	LED0	O/LI/PU	Blinking=Transmitting or Receiving.
35	51	LED1	O/LI/PD	Low=Link Up (Any speed) High=Link Down (Any speed) <i>Note: High/Low active depends on hardware configuration setting.</i>
32	52	LED2	O/LI/PD	No default setting. See Table 19 LED Configuration Table, page 28 for configuration details.

Note: See section 7.13 LED Configuration, page 27 for details.

6.9. Regulator and Reference

Table 9. Regulator and Reference

Pin No. (48-pin)	Pin No. (64-pin)	Pin Name	Type	Description
39	58	RSET	O	Reference. External Resistor Reference.
44, 45	64	VDDREG	P	Analog 3.3V Power Supply for Switching Regulator.
48	3	REG_OUT	O	Switching Regulator 1.05V Output. Connect to a 2.2 μ H or 4.7 μ H inductor.
3	7	AVDD10	P	Feedback Pin for Switching Regulator.
38	57	ENSWREG	I	3.3V: Enable switching regulator 0V: Disable switching regulator

6.10. Power and Ground

Table 10. Power and Ground

Pin No. (48-pin)	Pin No. (64-pin)	Pin Name	Type	Description
37	49	DVDD33	P	Digital Power 3.3V.
15, 21	20, 26, 37	DVDD33	P	Digital IO Power (3.3/2.5/1.8/1.5V) Connect to 3.3V for 3.3V RGMII I/O (RTL8211E/EG-VB) & GMII I/O (RTL8211EG-VB). Connect to 2.5V for 2.5V RGMII I/O (RTL8211E/EG-VB) & GMII I/O (RTL8211EG-VB). Connect to 1.5/1.8V for 1.5/1.8V RGMII I/O (RTL8211E-VL).
28, 36	33, 48	DVDD10	P	Digital Power. 1.05V.
6, 41	10, 60	AVDD33	P	Analog Power. 3.3V.
44,45	64	VDDREG	P	Analog 3.3V Power Supply for Switching Regulator.
3, 9, 40	7, 13, 59	AVDD10	P	Analog Power. 1.05V.
47	2, 4, 63	GND	G	Ground. Exposed Pad (E-Pad) is Analog and Digital Ground (see section 11 Mechanical Dimensions, page 66).

6.11. Not Connected

Table 11. Not Connected

Pin No. (48-pin)	Pin No. (64-pin)	Pin Name	Type	Description
12	16, 17	NC	-	Not Connected.

7. Function Description

7.1. *Transmitter*

7.1.1. **RGMII/GMII (1000Mbps) Mode**

The RTL8211E-VB(VL)/RTL8211EG-VB's PCS layer receives data bytes from the MAC through the RGMII/GMII interface and performs generation of continuous code-groups through 4D-PAM5 coding technology. These code groups are passed through a waveform-shaping filter to minimize EMI effect, and are transmitted onto the 4-pair CAT.5 cable at 125MBaud/s through a D/A converter.

7.1.2. **MII (100Mbps) Mode**

The transmitted 4-bit nibbles (TXD[3:0]) from the MAC, clocked at 25MHz (TXCLK), are converted into 5B symbol code through 4B/5B coding technology, then through scrambling and serializing, are converted to 125MHz NRZ and NRZI signals. The NRZI signals are passed to the MLT3 encoder, then to the D/A converter and transmitted onto the media.

7.1.3. **MII (10Mbps) Mode**

The transmit 4-bit nibbles (TXD[3:0]) from the MAC, clocked at 2.5MHz (TXCLK), are serialized into 10Mbps serial data. The 10Mbps serial data is converted into a Manchester-encoded data stream and is transmitted onto the media by the D/A converter.

7.2. *Receiver*

7.2.1. **RGMII/GMII (1000Mbps) Mode**

Input signals from the media first pass through the on-chip sophisticated hybrid circuit to subtract the transmitted signal from the input signal for effective reduction of near-end echo. Afterwards, the received signal is processed with state-of-the-art technology, such as adaptive equalization, BLW (Baseline Wander) correction, cross-talk cancellation, echo cancellation, timing recovery, error correction, and 4D-PAM5 decoding. The 8-bit-wide data is recovered and is sent to the RGMII/GMII interface at a clock speed of 125MHz. The Rx MAC retrieves the packet data from the receive RGMII/GMII interface and sends it to the Rx Buffer Manager.

7.2.2. **MII (100Mbps) Mode**

The MLT3 signal is processed with an ADC, equalizer, BLW (Baseline Wander) correction, timing recovery, MLT3 and NRZI decoder, descrambler, 4B/5B decoder, and is then presented to the MII interface in 4-bit-wide nibbles at a clock speed of 25MHz.

7.2.3. MII (10Mbps) Mode

The received differential signal is converted into a Manchester-encoded stream first. Next, the stream is processed with a Manchester decoder, and is de-serialized into 4-bit-wide nibbles. The 4-bit nibbles are presented to the MII interface at a clock speed of 2.5MHz.

7.3. *Energy Efficient Ethernet (EEE)*

The RTL8211E-VB(VL)/RTL8211EG-VB supports IEEE 802.3az-2010, also known as Energy Efficient Ethernet (EEE), at 10Mbps, 100Mbps, and 1000Mbps. It provides a protocol to coordinate transitions to/from a lower power consumption level (Low Power Idle mode) based on link utilization. When no packets are being transmitted, the system goes to Low Power Idle mode to save power. Once packets need to be transmitted, the system returns to normal mode, and does this without changing the link status and without dropping/corrupting frames.

To save power, when the system is in Low Power Idle mode, most of the circuits are disabled, however, the transition time to/from Low Power Idle mode is kept small enough to be transparent to upper layer protocols and applications.

EEE also specifies a negotiation method to enable link partners to determine whether EEE is supported.

Refer to <http://www.ieee802.org/3/az/index.html> for more details.

7.4. *Wake-On-LAN (WOL)*

The RTL8211E-VB(VL)/RTL8211EG-VB can monitor the network for a Wakeup Frame or a Magic Packet, and notify the system via the PME_B (Power Management Event; 'B' means low active) pin when such a packet or event occurs. The system can then be restored to a normal state to process incoming jobs. The PME_B pin needs to be connected with a 4.7k-ohm resistor and pulled up to 3.3V or 5V. When the Wakeup Frame or a Magic Packet is sent to the PHY, the PME_B pin will be set low to notify the system to wake up. Refer to the WOL application note for details.

Magic Packet Wakeup occurs only when the following conditions are met:

- The destination address of the received Magic Packet is acceptable to the RTL8211E-VB(VL)/RTL8211EG-VB, e.g., a broadcast, multicast, or unicast packet addressed to the current RTL8211E-VB(VL)/RTL8211EG-VB.
- The received Magic Packet does not contain a CRC error.
- The Magic Packet pattern matches; i.e., 6 * FFh + MISC (can be none) + 16 * DID (Destination ID) in any part of a valid Ethernet packet.

A Wakeup Frame event occurs only when the following conditions are met:

- The destination address of the received Wakeup Frame is acceptable to the RTL8211E-VB(VL)/RTL8211EG-VB, e.g., a broadcast, multicast, or unicast address to the current RTL8211E-VB(VL)/RTL8211EG-VB.
- The received Wakeup Frame does not contain a CRC error.
- The 16-bit CRC* of the received Wakeup Frame matches the 16-bit CRC of the sample Wakeup Frame pattern given by the local machine's OS. Or, the RTL8211E-VB(VL)/RTL8211EG-VB is configured to allow direct packet wakeup, e.g., a broadcast, multicast, or unicast network packet.

Note: 16-bit CRC: The RTL8211E-VB(VL)/RTL8211EG-VB supports eight long wakeup frames (covering 128 mask bytes from offset 0 to 127 of any incoming network packet). CRC16 polynomial= $x^{16}+x^{12}+x^5+1$.

7.5. Interrupt

Whenever there is a status change on the media detected by the RTL8211E-VB(VL)/RTL8211EG-VB, they will drive the interrupt pin (INTB) low to issue an interrupt event. The MAC senses the status change and accesses the registers (Page 0, Register 19) through the MDC/MDIO interface in response.

Once these status registers (Page 0, Register 19) have been read by the MAC through the MDC/MDIO, the INTB is de-asserted. The RTL8211E-VB(VL)/RTL8211EG-VB interrupt function removes the need for continuous polling through the MDC/MDIO management interface.

7.6. MDI Interface

This interface consists of four signal pairs; MDI0, MDI1, MDI2, and MDI3. Each signal pair consists of two bi-directional pins that can transmit and receive at the same time. The MDI interface has internal termination resistors to reduce BOM cost and PCB complexity. For 1000Base-T, all four pairs are used in both directions at the same time. For 10/100 links and during auto-negotiation, only pairs A and B are used.

7.7. Hardware Configuration

The operation speed, interface mode, and PHY address can be set by the CONFIG pins. The respective value mapping of CONFIG with the configurable vector is listed in Table 12. To set the CONFIG pins, an external pull-high or pull-low via resistor is required.

Table 12. CONFIG Pins vs. Configuration Register

RTL8211E-VB(VL) Pin	RTL8211EG-VB Pin	Pin Name
LED0	LED0	PHYAD[0]
LED1	LED1	PHYAD[1]
RXCTL	RXDV	PHYAD[2]
RXD2	RXD7	AN[0]
RXD3	RXER	AN[1]
-	COL	Mode
LED2	RXD6	RX Delay
RXD1	RXD5	TX Delay
RXD0	RXD4	SELRGV

Table 13. Configuration Register Definition

Configuration	Description
PHYAD[2:0]	PHY Address. PHYAD sets the PHY address for the device. The RTL8211E-VB(VL)/RTL8211EG-VB support PHY addresses from 00001 to 00111. PHY address 0 is a broadcast from the MAC; each PHY device should respond. <i>Note: PHYAD[2:0]=000 can support all PHY addresses. It can automatically remember the first non-zero PHY address.</i>
AN[1:0]	Auto-Negotiation (NWay) Configuration. AN[1:0] controls the Auto-Negotiation speed and duplex settings. 00: 10Base-T Full/Half Duplex 01: 100Base-TX Half Duplex; 10Base-T Full/Half Duplex 10: 100Base-TX Full/Half Duplex; 10Base-T Full/Half Duplex 11: NWay. Advertise all capabilities (10/1000Base-T; 100Base-TX Full/Half Duplex)
Mode	Interface Mode Select. 0: MII/GMII (via 4.7k-ohm to GND) 1: RGMII (via 4.7k-ohm to 3.3V) <i>Note: 'Mode' specifies the RTL8211EG-VB operating mode.</i>
RX Delay	RGMII Transmit Clock Timing Control. 1: Add 2ns delay to RXC for RXD latching (via 4.7k-ohm to 3.3V) 0: No delay (via 4.7k-ohm to GND)
TX Delay	RGMII Transmit Clock Timing Control. 1: Add 2ns delay to TXC for TXD latching (via 4.7k-ohm to 3.3V) 0: No delay (via 4.7k-ohm to GND)
SELRGV	3.3V or 2.5V RGMII/GMII Selection. 1: 3.3V RGMII/GMII (RTL8211E-VB & RTL8211EG-VB) 1.5/1.8V RGMII (RTL8211E-VL) 0: 2.5V RGMII/GMII (RTL8211E-VB & RTL8211EG-VB) <i>Note: For the RTL8211E-VL, SELRGV should not be pulled down.</i>

7.8. LED and PHY Address Configuration

In order to reduce the pin count on the RTL8211E-VB(VL)/RTL8211EG-VB, the LED pins are duplexed with the PHY address pins. As the PHYAD strap options share the LED output pins, the external combinations required for strapping and LED usage must be considered in order to avoid contention. Specifically, when the LED outputs are used to drive LEDs directly, the active state of each output driver is dependent on the logic level sampled by the corresponding PHYAD input upon power-up/reset. For example, as Figure 7 (left-side) shows, if a given PHYAD input is resistively pulled high then the corresponding output will be configured as an active low driver. On the right side, we can see that if a given PHYAD input is resistively pulled low then the corresponding output will be configured as an active high driver. The PHY address configuration pins should not be connected to GND or VCC directly, but must be pulled high or low through a resistor (e.g., 4.7K Ω). If no LED indications are needed, the components of the LED path (LED+510 Ω) can be removed.

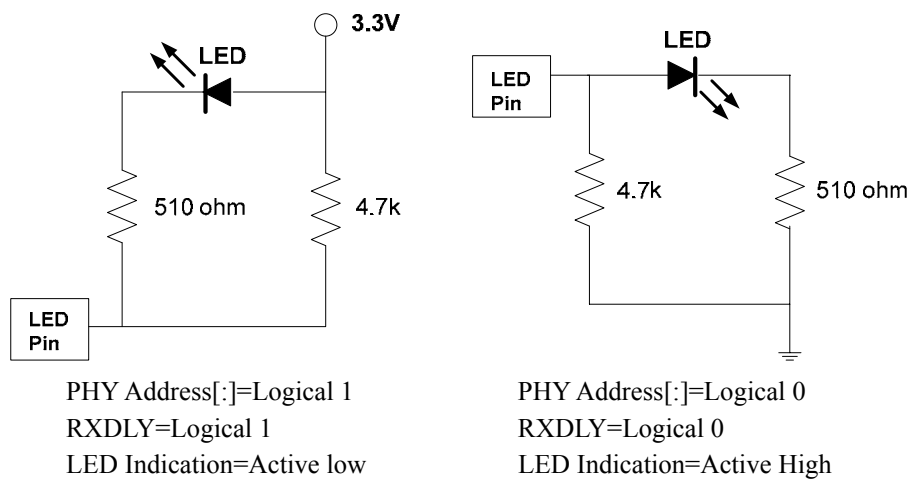


Figure 7. LED and PHY Address Configuration

7.9. Green Ethernet (1000/100Mbps Mode Only)

7.9.1. Cable Length Power Saving

In 1000/100Mbps mode the RTL8211E-VB(VL)/RTL8211EG-VB provides dynamic detection of cable length and dynamic adjustment of power required for the detected cable length. This feature provides intermediate performance with minimum power consumption.

7.9.2. Register Setting

Follow the register settings below to disable Green Ethernet (Default is ‘Enabled’)

Write Reg31, Data=0x0003 (page3)

Write Reg25, Data=0x3246

Write Reg16, Data=0xa87c

Write Reg31, Data=0x0000 (page0)

Follow the register settings below to enable Green Ethernet (Default is ‘Enabled’)

Write Reg31, Data=0x0003 (page3)

Write Reg25, Data=0x3247

Write Reg16, Data=0xac7c

Write Reg31, Data=0x0000 (page0)

7.10. MAC/PHY Interface

The RTL8211E-VB/RTL8211E-VL supports industry standards and is suitable for most off-the-shelf MACs with an RGMII interface.

The RTL8211EG-VB supports industry standards and is suitable for most off-the-shelf MACs with GMII and RGMII interfaces.

7.10.1. MII

In 100Base-TX and 10Base-T modes (MII mode is selected), TXC and RXC sources are 25MHz and 2.5MHz respectively. TXC and RXC will always be generated by the PHY. TXD[3:0] and RXD[3:0] signals are used for data transitions.

7.10.2. GMII

In 1000Base-T mode (GMII interface is selected), a 125MHz transmit clock is expected on GTX_CLK. RXCLK sources the 125MHz receive clock.

7.10.3. RGMII

In 1000Base-T mode (RGMII interface is selected), TXC and RXC sources are 125MHz. TXC will always be generated by the MAC and RXC will always be generated by the PHY. TXD[3:0] and RXD[3:0] signals are used for data transitions on rising edge and on falling edge of clock.

7.10.4. Management Interface

The management interface provides access to the internal registers through the MDC and MDIO pins as described in IEEE 802.3u section 22. The MDC signal, provided by the MAC, is the management data clock reference to the MDIO signal. The MDIO is the management data input/output and is a bi-directional signal that runs synchronously to MDC. The MDIO pin needs a 1.5k Ohm pull-up resistor to maintain the MDIO high during idle and turnaround.

Preamble suppression is the default setting of the RTL8211E-VB(VL)/RTL8211EG-VB after power-on. However, there still must be at least one idle bit between operations.

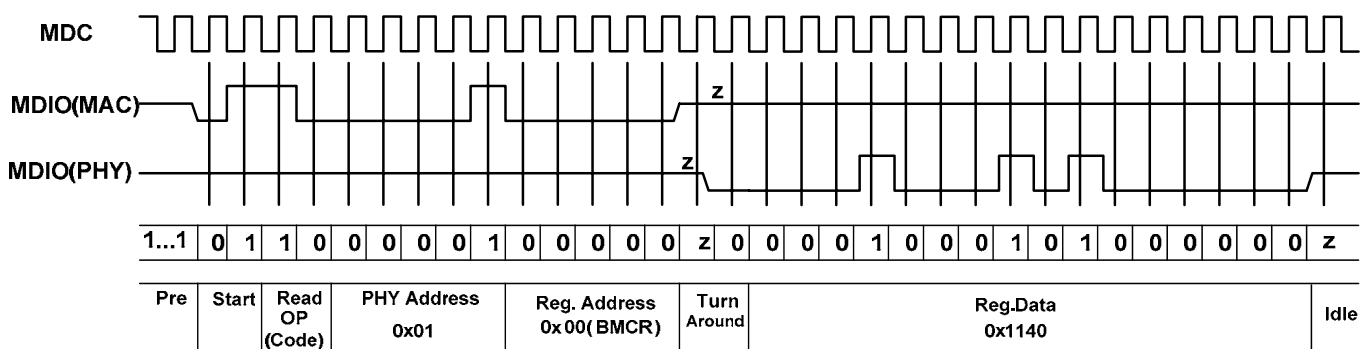
The RTL8211E-VB(VL)/RTL8211EG-VB can share the same MDIO line. In switch/router applications, each port should be assigned a unique address during the hardware reset sequence, and it can only be addressed via that unique PHY address. For detailed information on the RTL8211E-VB(VL)/RTL8211EG-VB management registers, see section 8 Register Descriptions, page 30.

Table 14. Management Frame Format

	Management Frame Fields							
	Preamble	ST	OP	PHYAD	REGAD	TA	DATA	IDLE
Read	1...1	01	10	AAAAA	RRRRR	Z0	DDDDDDDDDDDDDDDDDD	Z
Write	1...1	01	01	AAAAA	RRRRR	10	DDDDDDDDDDDDDDDDDD	Z

Table 15. Management Frame Description

Name	Description
Preamble	32 Contiguous Logical 1's Sent by the MAC on MDIO, along with 32 Corresponding Cycles on MDC. This provides synchronization for the PHY.
ST	Start of Frame. Indicated by a 01 pattern.
OP	Operation Code. Read: 10 Write: 01
PHYAD	PHY Address. Up to eight PHYs can be connected to one MAC. This 3-bit field selects which PHY the frame is directed to.
REGAD	Register Address. This is a 5-bit field that sets which of the 32 registers of the PHY this operation refers to.
TA	Turnaround. This is a 2-bit-time spacing between the register address and the data field of a frame to avoid contention during a read transaction. For a read transaction, both the STA and the PHY remain in a high-impedance state for the first bit time of the turnaround. The PHY drives a zero bit during the second bit time of the turnaround of a read transaction.
DATA	Data. These are the 16 bits of data.
IDLE	Idle Condition. Not truly part of the management frame. This is a high impedance state. Electrically, the PHY's pull-up resistor will pull the MDIO line to a logical '1'.


Figure 8. MDC/MDIO Read Timing

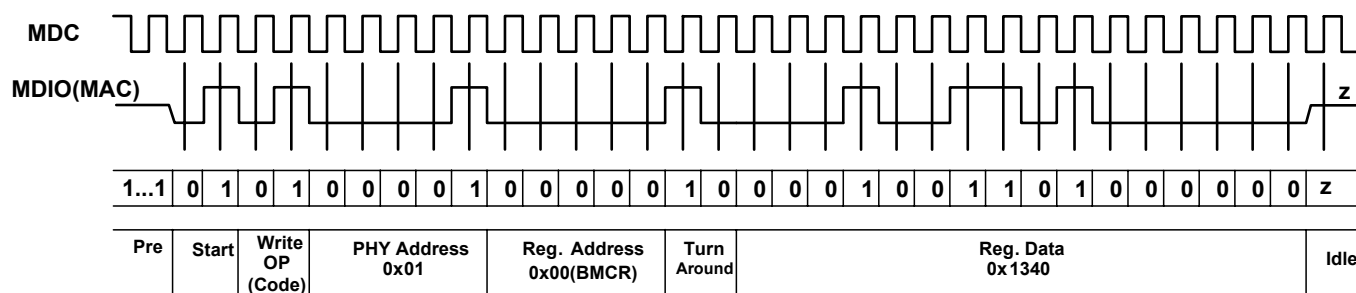


Figure 9. MDC/MDIO Write Timing

7.10.5. Access to Extension Page (ExtPage)

Set MDIO commands as shown below to switch to the Extension Page (ExtPage) 0xXY (in Hex).

1. Write Register 31 Data=0x0007 (set to Extension Page)
2. Write Register 30 Data=0x00XY (Extension Page XY)
3. Write the target Register Data
4. Write Register 31 Data=0x0000 (switch to Page 0)

7.10.6. Access to MDIO Manageable Device (MMD)

The MDIO Manageable Device (MMD) is an extension to the management interface that provides the ability to access more device registers while still retaining logical compatibility with the MDIO interface, defined in section 8.1 Register Mapping and Definitions, page 30. Access to MMD configuration is provided via Registers 13 and 14.

MMD Read/Write Operation

1. Write Function field to 00 (address mode) and DEVAD field to the device address value for the desired MMD (Register 13).
2. Write the desired address value to the MMD's address register (Register 14).
3. Write Function field to 01 (data mode; no post increment) and DEVAD field to the same device address for the desired MMD (Register 13).
4. Read: Go to step 5. Write: Go to step 6.
5. Read the content of the selected register in MMD (Register 14).
6. Write the content of the selected register in MMD (Register 14).

7.11. Auto-Negotiation

Auto-Negotiation is a mechanism to determine the fastest connection between two link partners. For copper media applications, it was introduced in IEEE 802.3u for Ethernet and Fast Ethernet, and then in IEEE 802.3ab to address extended functions for Gigabit Ethernet. It performs the following:

- Auto-Negotiation Priority Resolution
- Auto-Negotiation Master/Slave Resolution
- Auto-Negotiation PAUSE/ASYMMETRIC PAUSE Resolution
- Crossover Detection & Auto-Correction Resolution

Upon de-assertion of a hardware reset, the RTL8211E-VB(VL)/RTL8211EG-VB can be configured to have auto-negotiation enabled, or be set to operate in 10Base-T, 100Base-TX, or 1000Base-T mode via the CONFIG pins (see section 7.7 Hardware Configuration, page 16).

The auto-negotiation process is initiated automatically upon any of the following:

- Power-up
- Hardware reset
- Software reset (register 0.15)
- Restart auto-negotiation (register 0.9)
- Transition from power down to power up (register 0.11)
- Entering the link fail state

Table 16. 1000Base-T Base and Next Page Bit Assignments

Bit	Name	Bit Description	Register Location
Base Page			
D15	NP	Next Page. 1: Indicates that Next Pages follow 0: Indicates that no Next Pages follow	-
D14	Ack	Acknowledge. 1: Indicates that a device has successfully received its link partner's Link Code Word (LCW)	-
D13	RF	Remote Fault. 1: Indicates to its link partner that a device has encountered a fault condition	-
D[12:5]	A[7:0]	Technology Ability Field. Indicates to its link partner the supported technologies specific to the selector field value.	Register 4.[12:5] Table 27, page 34.
D[4:0]	S[4:0]	Selector Field. Always 00001. Indicates to its link partner that it is an IEEE 802.3 device.	Register 4.[4:0] Table 27, page 34.

Bit	Name	Bit Description	Register Location
PAGE 0 (Message Next Page)			
M15	NP	Next Page. 1: Indicates that Next Pages follow 0: Indicates that no Next Pages follow	-
M14	Ack	Acknowledge. 1: Indicates that a device has successfully received its link partner's Link Code Word (LCW)	-
M13	MP	Message Page. 1: Indicates to its link partner that this is a message page, not an unformatted page.	-
M12	Ack2	Acknowledge 2. 1: Indicates to its link partner that the device has the ability to comply with the message.	-
M11	T	Toggle. Used by the NWay arbitration function to ensure synchronization with its link partner during Next Page exchange.	-
M[10:0]	-	1000Base-T Message Code (Always 8).	-
PAGE 1 (Unformatted Next Page)			
U15	NP	Next Page. 1: Indicates that Next Pages follow 0: Indicates that no Next Pages follow	-
U14	Ack	Acknowledge. 1: Indicates that a device has successfully received its link partner's Link Code Word (LCW)	-
U13	MP	Message Page. 1: Indicates to its link partner that this is a message page, not an unformatted page.	-
U12	Ack2	Acknowledge 2. 1: Indicates to its link partner that the device has the ability to comply with the message.	-
U11	T	Toggle. Used by the NWay arbitration function to ensure synchronization with its link partner during Next Page exchange.	-
U[10:5]	-	Reserved. Transmit as 0	-
U4	-	1000Base-T Half Duplex. 1: Half duplex 0: No half duplex	-
U3	-	1000Base-T Full Duplex. 1: Full duplex 0: No full duplex	-
U2	-	1000Base-T Port Type Bit. 1: Multi-port device 0: Single-port device	Register 9.10 (GBCR) Table 32, page 37.
U1	-	1000Base-T Master-Slave Manual Configuration Value. 1: Master 0: Slave This bit is ignored if bit 9.12=0	Register 9.11 (GBCR) Table 32, page 37.
U0	-	1000Base-T Master-Slave Manual Configuration Enable. 1: Manual Configuration Enable This bit is intended to be used for manual selection in Master-Slave mode, and is to be used in conjunction with bit 9.11	Register 9.12 (GBCR) Table 32, page 37.

Bit	Name	Bit Description	Register Location
PAGE 2 (Unformatted Next Page)			
U15	NP	Next Page. 1: Indicates that Next Pages follow 0: Indicates that no Next Pages follow	-
U14	Ack	Acknowledge. 1: Indicates that a device has successfully received its link partner's Link Code Word (LCW)	-
U13	MP	Message Page. 1: Indicates to its link partner that this is a message page, not an unformatted page	-
U12	Ack2	Acknowledge 2. 1: Indicates to its link partner that the device has the ability to comply with the message	-
U11	T	Toggle. Used by the NWay arbitration function to ensure synchronization with its link partner during Next Page exchange.	-
U[10:0]	-	1000Base-T Master-Slave Seed Bit[10:0]	Master-Slave Seed Value SB[10:0]

7.11.1. Auto-Negotiation Priority Resolution

Upon the start of auto-negotiation, to advertise its capabilities each station transmits a 16-bit packet called a Link Code Word (LCW), within a burst of 17 to 33 Fast Link Pulses (FLP). A device capable of auto-negotiation transmits and receives the FLPs. The receiver must identify three identical LCWs before the information is authenticated and used in the arbitration process. The devices decode the base LCW and select capabilities with the highest common denominator supported by both devices.

To advertise 1000Base-T capability, both link partners, sharing the same link medium, should engage in Next Page (1000Base-T Message Page, Unformatted Page 1, and Unformatted Page 2) exchange.

Auto-negotiation ensures that the highest priority protocol will be selected as the link speed based on the following priorities advertised through the Link Code Word (LCW) exchange. Refer to IEEE 802.3 Clause 28 for detailed information.

1. 1000Base-T Full Duplex (highest priority)
2. 1000Base-T Half Duplex
3. 100Base-TX Full Duplex
4. 100Base-TX Half Duplex
5. 10Base-T Full Duplex
6. 10Base-T Half Duplex (lowest priority)

7.11.2. Auto-Negotiation Master/Slave Resolution

To establish a valid 1000Base-T link, the Master/Slave mode of both link partners should be resolved through the auto-negotiation process:

- Master Priority
 - Multi-port > Single-port
 - Manual > Non-manual
- Determination of Master/Slave configuration from LCW
 - Manual_MASTER=U0*U1
 - Manual_SLAVE=U0*!U1
 - Single-port device=!U0*!U2
 - Multi-port device=!U0*U2

Where: U0 is bit 0 of the Unformatted Page 1
U1 is bit 1 of the Unformatted Page 1
U2 is bit 2 of the Unformatted Page 1
- Where there are two stations with the same configuration, the one with higher Master-Slave seed SB[10:0] in the unformatted page 2 shall become Master.
- Master-Slave configuration process resolution:
 - Successful: Bit 10.15 Master-Slave Configuration Fault is set to logical 0, and bit 10.14 is set to logical 1 for Master resolution, or set to logical 0 for Slave resolution.
 - Unsuccessful: Auto-Negotiation restarts.
 - Fault detect: Bit 10.15 is set to logical 1 to indicate that a configuration fault has been detected. Auto-Negotiation restarts automatically. This happens when both stations are set to manual Master mode or manual Slave mode, or after seven attempts to configure the Master-Slave relationship through the seed method has failed.

7.11.3. Auto-Negotiation PAUSE/ASYMMETRIC PAUSE Resolution

Auto-negotiation is also used to determine the flow control capability between link partners. Flow control is a mechanism that can force a busy transmitting link partner to stop transmitting in a full duplex environment by sending special MAC control frames. In IEEE 802.3u, a PAUSE control frame had already been defined. However, in IEEE 802.3ab, a new ASY-PAUSE control frame was defined; if the MAC can only generate PAUSE frames but is not able to respond to PAUSE frames generated by the link partner, then it is called ASYMMETRIC PAUSE.

PAUSE/ASYMMETRIC PAUSE capability can be configured by setting the ANAR bits 10 and 11 (Table 27, page 34). Link partner PAUSE capabilities can be determined from ANLPAR bits 10 and 11 (Table 28, page 35). A PHY layer device such as the RTL8211E-VB(VL)/RTL8211EG-VB is not directly involved in PAUSE resolution, but simply advertises and reports PAUSE capabilities during the Auto-Negotiation process. The MAC is responsible for final PAUSE/ASYMMETRIC PAUSE resolution after a link is established, and is responsible for correct flow control actions thereafter.

7.12. Crossover Detection and Auto-Correction

Ethernet needs a crossover mechanism between both link partners to cross the transmit signal to the receiver when the medium is twisted-pair cable. Crossover Detection & Auto-Correction Configuration eliminates the need for crossover cables between devices, such as two computers connected to each other with a CAT.5 Ethernet cable. The basic concept is to assume the initial default setting is MDI mode, and then check the link status. If no link is established after a certain time, change to MDI Crossover mode and repeat the process until a link is established. An 11-bit pseudo-random timer is applied to decide the mode change time interval.

Crossover Detection & Auto-Correction is not a part of the Auto-Negotiation process, but it utilizes the process to exchange the MDI/MDI Crossover configuration. If the RTL8211E-VB(VL)/RTL8211EG-VB is configured to only operate in 100Base-TX or only in 10Base-T mode, then Auto-Negotiation is disabled only if the Crossover Detection & Auto-Correction function is also disabled. If Crossover Detection & Auto-Correction are enabled, then Auto-Negotiation is enabled and the RTL8211E-VB(VL)/RTL8211EG-VB advertises only 100Base-TX mode or 10Base-T mode. If the speed of operation is configured manually and Auto-Negotiation is still enabled because the Crossover Detection & Auto-Correction function is enabled, then the duplex advertised is as follows:

1. If CONFIG is set to half duplex, then only half duplex is advertised.
2. If CONFIG is set to full duplex, then both full and half duplex are advertised.

If the user wishes to advertise only full duplex at a particular speed with the Crossover Detection & Auto-Correction function enabled, then Auto-Negotiation should be enabled (register 0.12) with the appropriate advertising capabilities set in registers 4 or 9. The Crossover Detection & Auto-Correction function may be enabled/disabled by setting (register 16.6) manually.

After initial configuration following a hardware reset, Auto-Negotiation can be enabled and disabled via register 0.12, speed via registers 0.13, 0.6, and duplex via register 0.8. The abilities that are advertised can be changed via registers 4 and 9. Changes to registers 0.12, 0.13, 0.6, and 0.8 do not take effect unless at least one of the following events occurs:

- Software reset (register 0.15)
- Restart of Auto-Negotiation (register 0.9)
- Transition from power-down to power-up (register 0.11)

Registers 4 and 9 are internally latched once each time Auto-Negotiation enters the ABILITY DETECT state in the arbitration state machine (IEEE 802.3). Hence a write into register 4 or 9 has no effect once the RTL8211E-VB(VL)/RTL8211EG-VB begins to transmit Fast Link Pulses.

Register 7 is treated in a similar manner as 4 and 9 during additional Next Page exchanges. Once the RTL8211E-VB(VL)/RTL8211EG-VB completes Auto-Negotiation, it updates the various statuses in registers 1, 5, 6, and 10. The speed, duplex, page received, and Auto-Negotiation completed statuses are also available in registers 17 and 19.

7.13. LED Configuration

The RTL8211E-VB(VL)/RTL8211EG-VB supports three LED pins, suitable for multiple types of applications that can directly drive the LEDs. The output of these pins is determined by setting the corresponding bits in extension Page44 Register 28 and Register 26. The functionality of the RTL8211E-VB(VL)/RTL8211EG-VB LEDs is shown in Table 17.

Table 17. LED Default Definitions

Pin	Description
LED0	Blinking=Transmitting or Receiving
LED1	Low=Link Up (Any speed) High=Link Down (Any speed)
LED2	Low=Link Up (Any speed) High=Link Down (Any speed) Blinking=Transmitting or Receiving

Note: When in EEE mode, blinking duration is 400ms ON and 2 seconds OFF.

The RTL8211E-VB(VL)/RTL8211EG-VB LED pins can be customized from extension Page 44 Register 28 and Register 26. To change the register page, see note (below) and Table 18. There are 16 configuration types (see Table 19, page 28).

Note: To switch to extension Page44, set Register 31 Data=0x0007 (set to extension page). Set Register 30 Data=0x002c (extension Page44). After LED setting, switch to PHY's Page0 (Register 31 Data=0000).

Table 18. LED Register Table

	LINK Speed			Active (Tx/Rx)
	10Mbps	100Mbps	1000Mbps	
LED0	Reg28 Bit0	Reg28 Bit1	Reg28 Bit2	Reg26 Bit4
LED1	Reg28 Bit4	Reg28 Bit5	Reg28 Bit6	Reg26 Bit5
LED2	Reg28 Bit8	Reg28 Bit9	Reg28 Bit10	Reg26 Bit6

Table 19. LED Configuration Table

Pin	LINK Bit			Active (TX/RX) Bit	Description
	10	100	1000		
LED	0	0	0	0	N/A
	0	0	0	1	Active
	0	0	1	0	Link 1000
	0	0	1	1	Link 1000+Active
	0	1	0	0	Link 100
	0	1	0	1	Link 100+Active
	0	1	1	0	Link 100/1000
	0	1	1	1	Link 100/1000+Active
	1	0	0	0	Link 10
	1	0	0	1	Link 10+Active
	1	0	1	0	Link 10/1000
	1	0	1	1	Link 10/1000+Active
	1	1	0	0	Link 10/100
	1	1	0	1	Link 10/100+Active
	1	1	1	0	Link 10/100/1000
	1	1	1	1	Link 10/100/1000+Active

7.14. Polarity Correction

The RTL8211E-VB(VL)/RTL8211EG-VB automatically corrects polarity errors on the receive pairs in 1000Base-T and 10Base-T modes. In 100Base-TX mode polarity is irrelevant. In 1000Base-T mode, receive polarity errors are automatically corrected based on the sequence of idle symbols. Once the descrambler is locked, the polarity is also locked on all pairs. The polarity becomes unlocked only when the receiver loses lock. In 10Base-T mode, polarity errors are corrected based on the detection of validly spaced link pulses. The detection begins during the MDI crossover detection phase and locks when the 10Base-T link is up. The polarity becomes unlocked when the link is down.

7.15. Power

The RTL8211E-VB(VL)/RTL8211EG-VB implements a voltage regulator to generate operating power. The system vendor needs to supply a 3.3V, 1A steady power source. The RTL8211E-VB(VL)/RTL8211EG-VB converts the 3.3V steady power source to 1.05V via a switching regulator.

Another possible implementation is to use an external regulator to generate 1.0V. Be sure that the regulator meets the required current rate (0.95V~1.09V).

The RTL8211E-VB(VL)/RTL8211EG-VB implements an option for the RGMII/GMII power pins. The standard I/O voltage of the RGMII/GMII interface is 3.3V, with support for 2.5V to lower EMI. The 2.5V power source for RGMII is from an external regulator.

7.16. PHY Reset (Hardware Reset)

The RTL8211E-VB(VL)/RTL8211EG-VB has a PHYRSTB pin to reset the chip. For a complete PHY reset, this pin must be asserted low for at least 10ms (T_{gap} in Figure 10) for the internal regulator. Wait for a further 30ms (for internal circuits settling time) before accessing the PHY register. All registers will return to default values after a hardware reset. Refer to the RTL8211xx-xx_Power_Sequence_App_Note for more detailed information.

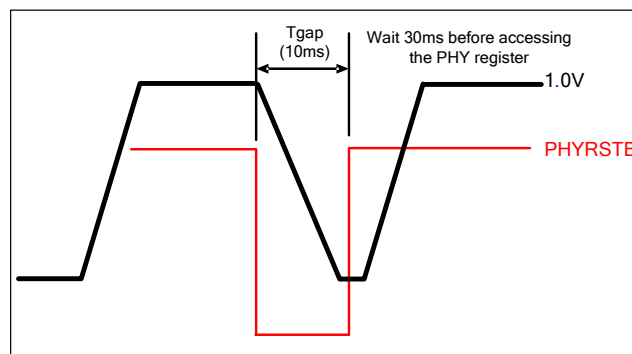


Figure 10. PHY Reset Timing

8. Register Descriptions

8.1. Register Mapping and Definitions

Table 20. Register Mapping and Definitions

Offset	Access	Name	Description
0	RW	BMCR	Basic Mode Control Register.
1	RO	BMSR	Basic Mode Status Register.
2	RO	PHYID1	PHY Identifier Register 1.
3	RO	PHYID2	PHY Identifier Register 2.
4	RW	ANAR	Auto-Negotiation Advertising Register.
5	RW	ANLPAR	Auto-Negotiation Link Partner Ability Register.
6	RW	ANER	Auto-Negotiation Expansion Register.
7	RW	ANNPTR	Auto-Negotiation Next Page Transmit Register.
8	RW	ANNPRR	Auto-Negotiation Next Page Receive Register.
9	RW	GBCR	1000Base-T Control Register.
10	RO	GBSR	1000Base-T Status Register.
11~12	RO	RSVD	Reserved.
13	WO	MACR	MMD Access Control Register.
14	RW	MAADR	MMD Access Address Data Register.
15	RO	GBESR	1000Base-T Extended Status Register.
16	RW	PHYCR	PHY Specific Control Register.
17	RO	PHYSR	PHY Specific Status Register.
18	RW	INER	Interrupt Enable Register.
19	RO	INSR	Interrupt Status Register.
20~23	RW	RSVD	Reserved.
24	RO	RXERC	Receive Error Counter.
25~26	RW	RSVD	Reserved.
27	RO	LDPSR	Link Down Power Saving Register.
28	RO	RSVD	Reserved.
29	RW	RSVD	Reserved.
30	RW	EPAGSR	Extension Page Select Register.
31	RW	PAGSEL	Page Select Register.

Note: To switch to extension Page44, set Register 31 Data=0x0007 (set to extension page). Set Register 30 Data=0x002c (extension Page44). After LED setting, switch to the PHY's Page0 (Register 31 Data=0000).

8.2. MMD Register Mapping and Definition

Table 21. MMD Register Mapping and Definition

Device	Offset	Access	Name	Description
3	0	RW	PC1R	PCS Control 1 Register.
3	1	RW	PS1R	PCS Status 1 Register.
3	20	RO	EEEECR	EEE Capability Register.
3	22	RC	EEEWER	EEE Wake Error Register.
7	60	RW	EEEAR	EEE Advertisement Register.
7	61	RO	EEELPAR	EEE Link Partner Ability Register.

8.3. ExtPage Register Mapping and Definition

Table 22. ExtPage Register Mapping and Definition

ExtPage	Offset	Access	Name	Description
44	26	RW	LACR	LED Action Control Register.
44	28	RW	LCR	LED Control Register.
45	24	RW	ACCR	Auto-Crossover Control Register.

8.4. Register Table

8.4.1. BMCR (Basic Mode Control Register, Address 0x00)

Table 23. BMCR (Basic Mode Control Register, Address 0x00)

Bit	Name	RW	Default	Description
0.15	Reset	RW, SC ¹	0	Reset. 1: PHY reset 0: Normal operation Register 0 (BMCR) and register 1 (BMSR) will return to default values after a software reset (set Bit15 to 1). This action may change the internal PHY state and the state of the physical link associated with the PHY.
0.14	Loopback	RW	0	Loopback Mode. 1: Enable PCS loopback mode 0: Disable PCS loopback mode

Bit	Name	RW	Default	Description															
0.13	Speed[0]	RW	0	Speed Select Bit 0. In forced mode, i.e., when Auto-Negotiation is disabled, bits 6 and 13 determine device speed selection. <table border="1" data-bbox="735 353 1417 546" style="margin-left: auto; margin-right: auto;"> <thead> <tr> <th>Speed[1]</th> <th>Speed[0]</th> <th>Speed Enabled</th> </tr> </thead> <tbody> <tr> <td>1</td> <td>1</td> <td>Reserved</td> </tr> <tr> <td>1</td> <td>0</td> <td>Reserved</td> </tr> <tr> <td>0</td> <td>1</td> <td>100Mbps</td> </tr> <tr> <td>0</td> <td>0</td> <td>10Mbps</td> </tr> </tbody> </table>	Speed[1]	Speed[0]	Speed Enabled	1	1	Reserved	1	0	Reserved	0	1	100Mbps	0	0	10Mbps
Speed[1]	Speed[0]	Speed Enabled																	
1	1	Reserved																	
1	0	Reserved																	
0	1	100Mbps																	
0	0	10Mbps																	
0.12	ANE	RW	1	Auto-Negotiation Enable. 1: Enable Auto-Negotiation 0: Disable Auto-Negotiation															
0.11	PWD	RW	0	Power Down. 1: Power down (only Management Interface and logic are active; link is down) 0: Normal operation															
0.10	Isolate	RW	0	Isolate. 1: RGMII/GMII interface is isolated; the serial management interface (MDC, MDIO) is still active. When this bit is asserted, the RTL8211E-VB(VL)/RTL8211EG-VB ignores TXD[7:0], and TXCTL inputs, and presents a high impedance on TXC, RXC, RXCTL, RXD[7:0]. 0: Normal operation															
0.9	Restart_AN	RW, SC	0	Restart Auto-Negotiation. 1: Restart Auto-Negotiation 0: Normal operation															
0.8	Duplex	RW	1	Duplex Mode. 1: Full Duplex operation 0: Half Duplex operation This bit is valid only in force mode, i.e., NWay is disabled.															
0.7	Collision Test	RW	0	Collision Test. 1: Collision test enabled 0: Normal operation															
0.6	Speed[1]	RW	1	Speed Select Bit 1. Refer to bit 0.13.															
0.5:0	RSVD	RO	000000	Reserved.															

Note 1: SC: Self-cleared.

Note 2: The power-on duplex, speed, and ANE values take on the values set by external pins AN[1:0] on hardware reset only. A write to these registers has no effect unless any one of the following also occurs: Software reset (0.15) is asserted, Restart_AN (0.9) is asserted, or PWD (0.11) transitions from power down to normal operation.

Note 3: When the RTL8211E-VB(VL)/RTL8211EG-VB is switched from power down to normal operation, a software reset and restart auto-negotiation is performed, even if bits Reset (0.15) and Restart_AN (0.9) are not set by the user.

Note 4: Auto-Negotiation is enabled when speed is set to 1000Base-T. Crossover Detection & Auto-Correction takes precedence over Auto-Negotiation disable (0.12=0). If ANE is disabled, speed and duplex capabilities are advertised by 0.13, 0.6, and 0.8. Otherwise, register 4.8:5 and 9.9:8 take effect.

Note 5: Auto-Negotiation automatically restarts after hardware or software reset regardless of whether or not the restart bit (0.9) is set.

8.4.2. BMSR (Basic Mode Status Register, Address 0x01)

Table 24. BMSR (Basic Mode Status Register, Address 0x01)

Bit	Name	RW	Default	Description
1.15	100Base-T4	RO	0	100Base-T4 Capability. The RTL8211E-VB(VL)/RTL8211EG-VB does not support 100Base-T4 mode. This bit should always be 0.
1.14	100Base-TX (full)	RO	1	100Base-TX Full Duplex Capability. 1: Device is able to perform 100Base-TX in full duplex mode 0: Device is not able to perform 100Base-TX in full duplex mode
1.13	100Base-TX (half)	RO	1	100Base-TX Half Duplex Capability. 1: Device is able to perform 100Base-TX in half duplex mode 0: Device is not able to perform 100Base-TX in half duplex mode
1.12	10Base-T (full)	RO	1	10Base-T Full Duplex Capability. 1: Device is able to perform 10Base-T in full duplex mode. 0: Device is not able to perform 10Base-T in full duplex mode.
1.11	10Base-T (half)	RO	1	10Base-T Half Duplex Capability. 1: Device is able to perform 10Base-T in half duplex mode 0: Device is not able to perform 10Base-T in half duplex mode
1.10	10Base-T2 (full)	RO	0	10Base-T2 Full Duplex Capability. The RTL8211E-VB(VL)/RTL8211EG-VB does not support 10Base-T2 mode and this bit should always be 0.
1.9	10Base-T2 (half)	RO	0	10Base-T2 Half Duplex Capability. The RTL8211E-VB(VL)/RTL8211EG-VB does not support 10Base-T2 mode. This bit should always be 0.
1.8	1000Base-T Extended Status	RO	1	1000Base-T Extended Status Register. 1: Device supports Extended Status Register 0x0F (15) 0: Device does not support Extended Status Register 0x0F This register is read-only and is always set to 1.
1.7	RSVD	RO	0	Reserved.
1.6	Preamble Suppression	RO	1	Preamble Suppression Capability (Permanently On). The RTL8211E-VB(VL)/RTL8211EG-VB always accepts transactions with preamble suppressed.
1.5	Auto-Negotiation Complete	RO	0	Auto-Negotiation Complete. 1: Auto-Negotiation process complete, and contents of registers 5, 6, 8, and 10 are valid 0: Auto-Negotiation process not complete
1.4	Remote Fault	RC*	0	Remote Fault. 1: Remote fault condition detected (cleared on read or by reset). Indication or notification of remote fault from Link Partner 0: No remote fault condition detected
1.3	Auto-Negotiation Ability	RO	1	Auto Configured Link. 1: Device is able to perform Auto-Negotiation 0: Device is not able to perform Auto-Negotiation

Bit	Name	RW	Default	Description
1.2	Link Status	RO	0	Link Status. 1: Linked 0: Not Linked This register indicates whether the link was lost since the last read. For the current link status, either read this register twice or read register bit 17.10 Link Real Time.
1.1	Jabber Detect	RC	0	Jabber Detect. 1: Jabber condition detected 0: No Jabber occurred
1.0	Extended Capability	RO	1	1: Extended register capabilities, always 1

Note: RC: Read-cleared after read.

8.4.3. PHYID1 (PHY Identifier Register 1, Address 0x02)

Table 25. PHYID1 (PHY Identifier Register 1, Address 0x02)

Bit	Name	RW	Default	Description
2.15:0	OUI_MSB	RO	0000000000011100	Organizationally Unique Identifier Bit 3:18. Always 0000000000011100.

Note: Realtek OUI is 0x000732.

8.4.4. PHYID2 (PHY Identifier Register 2, Address 0x03)

Table 26. PHYID2 (PHY Identifier Register 2, Address 0x03)

Bit	Name	RW	Default	Description
3.15:10	OUI_LSB	RO	110010	Organizationally Unique Identifier Bit 19:24. Always 110010.
3.9:4	Model Number	RO	010001	Manufacture's Model Number
3.3:0	Revision Number	RO	0101	Revision Number

8.4.5. ANAR (Auto-Negotiation Advertising Register, Address 0x04)

Table 27. ANAR (Auto-Negotiation Advertising Register, Address 0x04)

Bit	Name	RW	Default	Description
4.15	NextPage	RW	0	1: Additional next pages exchange desired 0: No additional next pages exchange desired
4.14	RSVD	RO	0	Reserved.
4.13	Remote Fault	RW	0	1: Set Remote Fault bit 0: No remote fault detected
4.12	RSVD	RO	0	Reserved.
4.11	Asymmetric PAUSE	RW	0	1: Advertise support of asymmetric pause 0: No support of asymmetric pause

Bit	Name	RW	Default	Description
4.10	PAUSE	RW	1	1: Advertise support of pause frames 0: No support of pause frames
4.9	100Base-T4	RO	0	1: 100Base-T4 support 0: 100Base-T4 not supported
4.8	100Base-TX (Full)	RW	1	1: Advertise support of 100Base-TX full-duplex mode 0: Not advertised
4.7	100Base-TX (Half)	RW	1	1: Advertise support of 100Base-TX half-duplex mode 0: Not advertised
4.6	10Base-T (Full)	RW	1	1: Advertise support of 10Base-TX full-duplex mode 0: Not advertised
4.5	10Base-T (Half)	RW	1	1: Advertise support of 10Base-TX half-duplex mode 0: Not advertised
4.4:0	Selector Field	RO	00001	Indicates the RTL8211E-VB(VL)/RTL8211EG-VB supports IEEE 802.3

Note 1: The setting of Register 4 has no effect unless NWay is restarted or the link goes down.

Note 2: If 1000Base-T is advertised, then the required next pages are automatically transmitted. Register 4.15 should be set to 0 if no additional next pages are needed.

8.4.6. ANLPAR (Auto-Negotiation Link Partner Ability Register, Address 0x05)

Table 28. ANLPAR (Auto-Negotiation Link Partner Ability Register, Address 0x05)

Bit	Name	RW	Default	Description
5.15	Next Page	RO	0	Next Page Indication. Received Code Word Bit 15.
5.14	ACK	RO	0	Acknowledge. Received Code Word Bit 14.
5.13	Remote Fault	RO	0	Remote Fault indicated by Link Partner. Received Code Word Bit 13.
5.12	RSVD	RO	0	Reserved.
5.11:5	Technology Ability Field	RO	00000000	Received Code Word Bit 12:5.
5.4:0	Selector Field	RO	00000	Received Code Word Bit 4:0.

Note: Register 5 is not valid until the Auto-Negotiation complete bit 1.5 indicates completed.

8.4.7. ANER (Auto-Negotiation Expansion Register, Address 0x06)

Table 29. ANER (Auto-Negotiation Expansion Register, Address 0x06)

Bit	Name	RW	Default	Description
6.15:5	RSVD	RO	0x000	Reserved.
6.4	Parallel Detection Fault	RC	0	1: A fault has been detected via the Parallel Detection function 0: A fault has not been detected via the Parallel Detection function
6.3	Link Partner Next Pageable	RO	0	1: Link Partner supports Next Page exchange 0: Link Partner does not support Next Page exchange
6.2	Local Next Pageable	RO	1	1: Local Device is able to send Next Page Always 1.
6.1	Page Received	RC	0	1: A New Page (new LCW) has been received 0: A New Page has not been received
6.0	Link Partner Auto-Negotiation capable	RO	0	1: Link Partner supports Auto-Negotiation 0: Link Partner does not support Auto-Negotiation

Note: Register 6 is not valid until the Auto-Negotiation complete bit 1.5 indicates completed.

8.4.8. ANNPTR (Auto-Negotiation Next Page Transmit Register, Address 0x07)

Table 30. ANNPTR (Auto-Negotiation Next Page Transmit Register, Address 0x07)

Bit	Name	RW	Default	Description
7.15	Next Page	RW	0	Next Page Indication. 0: No more next pages to send 1: More next pages to send Transmit Code Word Bit 15.
7.14	RSVD	RO	0	Transmit Code Word Bit 14.
7.13	Message Page	RW	1	Message Page. 0: Unformatted Page 1: Message Page Transmit Code Word Bit 13.
7.12	Acknowledge 2	RW	0	Acknowledge2. 0: Local device has no ability to comply with the message received 1: Local device has the ability to comply with the message received Transmit Code Word Bit 12.
7.11	Toggle	RO	0	Toggle Bit. Transmit Code Word Bit 11.
7.10:0	Message/Unformatted Field	RW	0x001	Content of Message/Unformatted Page. Transmit Code Word Bit 10:0.

8.4.9. ANNPRR (Auto-Negotiation Next Page Receive Register, Address 0x08)

Table 31. ANNPRR (Auto-Negotiation Next Page Receive Register, Address 0x08)

Bit	Name	RW	Default	Description
8.15	Next Page	RO	0	Received Link Code Word Bit 15.
8.14	Acknowledge	RO	0	Received Link Code Word Bit 14.
8.13	Message Page	RO	0	Received Link Code Word Bit 13.
8.12	Acknowledge 2	RO	0	Received Link Code Word Bit 12.
8.11	Toggle	RO	0	Received Link Code Word Bit 11.
8.10:0	Message/Unformatted Field	RO	0x00	Received Link Code Word Bit 10:0.

Note: Register 8 is not valid until the Auto-Negotiation complete bit 1.5 indicates completed.

8.4.10. GBCR (1000Base-T Control Register, Address 0x09)

Table 32. GBCR (1000Base-T Control Register, Address 0x09)

Bit	Name	RW	Default	Description
9.15:13	Test Mode	RW	0	Test Mode Select. 000: Normal Mode 001: Test Mode 1 – Transmit Jitter Test 010: Test Mode 2 – Transmit Jitter Test (MASTER mode) 011: Test Mode 3 – Transmit Jitter Test (SLAVE mode) 100: Test Mode 4 – Transmit Distortion Test 101, 110, 111: Reserved
9.12	MASTER/SLAVE Manual Configuration Enable	RW	0	Enable Manual Master/Slave Configuration. 1: Manual MASTER/SLAVE configuration 0: Automatic MASTER/SLAVE
9.11	MASTER/SLAVE Configuration Value	RW	0	Advertise Master/Slave Configuration Value. 1: Manual configure as MASTER 0: Manual configure as SLAVE
9.10	Port Type	RW	0	Advertise Device Type Preference. 1: Prefer multi-port device (MASTER) 0: Prefer single port device (SLAVE)
9.9	1000Base-T Full Duplex	RW	1	Advertise 1000Base-T Full-Duplex Capability. 1: Advertise 0: Do not advertise
9.8	RSVD	RW	0	Reserved.
9.7:0	RSVD	RO	0	Reserved.

Note 1: Values set in register 9.12:9 have no effect unless Auto-Negotiation is restarted (Reg0.9) or the link goes down.

Note 2: Bits 9.11 and 9.10 are ignored when bit 9.12=0.

8.4.11. GBSR (1000Base-T Status Register, Address 0x0A)

Table 33. GBSR (1000Base-T Status Register, Address 0x0A)

Bit	Name	RW	Default	Description
10.15	MASTER/SLAVE Configuration Fault	RO, RC	0	Master/Slave Manual Configuration Fault Detected. 1: MASTER/SLAVE configuration fault detected 0: No MASTER/SLAVE configuration fault detected
10.14	MASTER/SLAVE Configuration Resolution	RO	0	Master/Slave Configuration Result. 1: Local PHY configuration resolved to MASTER 0: Local PHY configuration resolved to SLAVE
10.13	Local Receiver Status	RO	0	Local Receiver Status. 1: Local Receiver OK 0: Local Receiver Not OK
10.12	Remote Receiver Status	RO	0	Remote Receiver Status. 1: Remote Receiver OK 0: Remote Receiver Not OK
10.11	Link Partner 1000Base-T Full Duplex Capability	RO	0	Link Partner 1000Base-T Full Duplex Capability. 1: Link Partner is capable of 1000Base-T full duplex 0: Link Partner is not capable of 1000Base-T full duplex
10.10	Link Partner 1000Base-T Half Duplex Capability	RO	0	Link Partner 1000Base-T Half Duplex Capability. 1: Link Partner is capable of 1000Base-T half duplex 0: Link Partner is not capable of 1000Base-T half duplex
10.9:8	RSVD	RO	00	Reserved.
10.7:0	Idle Error Count	RO, RC	0x00	MSB of Idle Error Counter. The counter stops automatically when it reaches 0xff.

Note 1: Values set in register 10.11:10 are not valid until register 6.1 is set to 1.

Note 2: Register 10 is not valid until the Auto-Negotiation complete bit 1.5 indicates completed.

8.4.12. MACR (MMD Access Control Register, Address 0x0D)

Table 34. MACR (MMD Access Control Register, Address 0x0D)

Bit	Name	RW	Default	Description
13.15:14	Function	WO	0	00: Address 01: Data with no post increment 10: Data with post increment on reads and writes 11: Data with post increment on writes only
13.13:5	RSVD	RO	00000000	Reserved.
13.4:0	DEVAD	WO	0	Device Address.

Note 1: This register is used in conjunction with the MAADR (Register 14) to provide access to the MMD address space.

Note 2: If the MAADR accesses for address (Function=00), then it is directed to the address register within the MMD associated with the value in the DEVAD field.

Note 3: If the MAADR accesses for data (Function≠00), both the DEVAD field and MMD's address register direct the MAADR data accesses to the appropriate registers within the MMD.

Bit	Name	RW	Default	Description
16.4	Disable CLK125	RW	0	1: CLK125 remains at logic Low 0: CLK125 Toggling Enabled
16.3:1	RSVD	RW	111	Reserved.
16.0	Disable Jabber	RW	0	1: Disable jabber function 0: Enable jabber function

Note 1: There are two methods to disable auto-crossover and force MDI or MDIX mode.

Method 1:

Step 1: Set Enable Crossover Reg16 bit[6]=0 (Disables auto-crossover) and set MDI Reg16 bit[5]=1 (MDIX) or 0 (MDI).

Step 2: Set PHY reset Reg0 bit[15]=1.

Method 2:

Set Disable Crossover ExtPage45 Reg24, bit[5]=1 (Disables auto-crossover) and set MDI Reg16, bit[5]=1 (MDI) or 0 (MDIX).

Note 2: To write ExtPage 45_Reg.24 bit[5]=1:

a. Write Reg31, Data=0x0007 (page 7).

b. Write Reg30, Data=0x002d (Extension page 45).

c. Write Reg24, bit[5]=1.

8.4.16. PHYSR (PHY Specific Status Register, Address 0x11)

Table 38. PHYSR (PHY Specific Status Register, Address 0x11)

Bit	Name	RW	Default	Description
17.15:14	Speed	RO	01	Link Speed. 11: Reserved 10: 1000Mbps 01: 100Mbps 00: 10Mbps
17.13	Duplex	RO	0	Full/Half Duplex Mode. 1: Full duplex 0: Half duplex
17.12	Page Received	RC	0	New Page Received. 1: Page received 0: Page not received
17.11	Speed and Duplex Resolved	RO	0	Speed and Duplex Mode Resolved. 1: Resolved 0: Not resolved
17.10	Link (Real Time)	RO	0	Real Time Link Status. 1: Link OK 0: Link not OK
17.9:7	RSVD	RO	000	Reserved.
17.6	MDI Crossover Status	RO	0	MDI/MDI Crossover Status. 1: MDI Crossover 0: MDI
17.5:2	RSVD	RW	0000	Reserved.
17.1	pre_linkok	RO	0	Reflects Local Receiver is OK. 0: Receiver is not OK 1: Receiver is OK
17.0	Jabber (Real Time)	RO	0	Real Time Jabber Indication. 1: Jabber Indication 0: No jabber Indication

8.4.17. INER (Interrupt Enable Register, Address 0x12)

Table 39. INER (Interrupt Enable Register, Address 0x12)

Bit	Name	RW	Default	Description
18.15	Auto-Negotiation Error Interrupt	RW	1	1: Interrupt Enable 0: Interrupt Disable Setting this bit to 0 only masks an auto-negotiation error interrupt event in the INTB pin. Reg19 Bit15 (section 8.4.18, page 42) always reflects the auto-negotiation error interrupt behavior.
18.14:13	RSVD	RW	00	Reserved.
18.12	Page Received Interrupt	RW	1	1: Interrupt Enable 0: Interrupt Disable Setting this bit to 0 only masks a page received interrupt event in the INTB pin. Reg19 Bit12 (section 8.4.18, page 42) always reflects the page received interrupt behavior.
18.11	Auto-Negotiation Completed Interrupt	RW	1	1: Interrupt Enable 0: Interrupt Disable Setting this bit to 0 only masks an auto-negotiation completed interrupt event in the INTB pin. Reg19 Bit11 (section 8.4.18, page 42) always reflects the auto-negotiation completed interrupt behavior.
18.10	Link Status Change Interrupt	RW	1	1: Interrupt Enable 0: Interrupt Disable Setting this bit to 0 only masks a link status change interrupt event in the INTB pin. Reg19 Bit10 (section 8.4.18, page 42) always reflects the link change interrupt behavior.
18.9	Symbol Error Interrupt	RW	1	1: Interrupt Enable 0: Interrupt Disable Setting this bit to 0 only masks a symbol error interrupt event in the INTB pin. Reg19 Bit9 (section 8.4.18, page 42) always reflects the symbol error interrupt behavior.
18.8	False Carrier Interrupt	RW	1	1: Interrupt Enable 0: Interrupt Disable Setting this bit to 0 only masks a false carrier interrupt event in the INTB pin. Reg19 Bit8 (section 8.4.18, page 42) always reflects the false carrier interrupt behavior.
18.7:1	RSVD	RW	0000000	Reserved.
18.0	Jabber Interrupt	RW	1	1: Interrupt Enable 0: Interrupt Disable Setting this bit to 0 only masks a jabber interrupt event in the INTB pin. Reg19 Bit0 (section 8.4.18, page 42) always reflects the jabber interrupt behavior.

8.4.18. INSR (Interrupt Status Register, Address 0x13)

Table 40. INSR (Interrupt Status Register, Address 0x13)

Bit	Name	RW	Default	Description
19.15	Auto-Negotiation Error	RC	0	1: Auto-Negotiation Error 0: No Auto-Negotiation Error
19.14:13	RSVD	RC	00	Reserved.
19.12	Page Received	RC	0	1: Page (a new LCW) received 0: Page not received
19.11	Auto-Negotiation Completed	RC	0	1: Auto-Negotiation completed 0: Auto-Negotiation not completed
19.10	Link Status Change	RC	0	1: Link status changed 0: Link status not changed
19.9	Symbol Error	RC	0	1: Symbol error detected 0: No symbol error detected
19.8	False Carrier	RC	0	1: False carrier 0: No false carrier detected
19.7:1	RSVD	-	0000000	Reserved.
19.0	Jabber	RC	0	1: Jabber detected 0: No jabber detected

8.4.19. RXERC (Receive Error Counter, Address 0x18)

Table 41. RXERC (Receive Error Counter, Address 0x18)

Bit	Name	RW	Default	Description
24.15:0	Receive Error Count	RC	0x0000	Receive Error Count.

Note: The RXERC register is read-cleared after a read.

8.4.20. LDPSR (Link Down Power Saving Register, Address 0x1B)

Table 42. LDPSR (Link Down Power Saving Register, Address 0x1B)

Bit	Name	RW	Default	Description
27.15:1	RSVD	RO	0	Reserved.
27.0	Power Save Mode	RO	0	Link Down Power Saving Mode. 1: Reflects local device enters Link Down Power Saving Mode, i.e., cable not plugged in (will be reflected after 3 sec) 0: With cable plugged in (will be reflected 21ms after plugging in)

8.4.21. EPAGSR (Extension Page Select Register, Address 0x1E)

Table 43. EPAGSR (Extension Page Select Register, Address 0x1E)

Bit	Name	RW	Default	Description
30.15:8	RSVD	RW	0	Reserved.
30.7:0	ExtPageSel	RW	0x00	Extension Page Select (in HEX).

Note: This register is used in conjunction with the PAGSEL (Register 31) to provide access to the Extension Page space. Values in this register are valid only if 31.2:0 (PageSel)=111.

8.4.22. PAGSEL (Page Select Register, Address 0x1F)

Table 44. PAGSEL (Page Select Register, Address 0x1F)

Bit	Name	RW	Default	Description
31.15:3	RSVD	RW	0	Reserved.
31.2:0	PageSel	RW	000	Page Select Signal. 000: Page 0 (default page) 001: Page 1 010: Page 2 011: Page 3 100: Page 4 101: Page 5 110: Page 6 111: Extension page

8.4.23. PC1R (PCS Control 1 Register, MMD Device 3, Address 0x00)

Table 45. PC1R (PCS Control 1 Register, MMD Device 3, Address 0x00)

Bit	Name	RW	Default	Description
3.0.15:11	RSVD	RW	0	Reserved.
3.0.10	Clock Stop Enable	RW	0	1: PHY stops RXC in LPI 0: RXC not stoppable
3.0.9:0	RSVD	RW	0	Reserved.

8.4.24. PS1R (PCS Status1 Register, MMD Device 3, Address 0x01)

Table 46. PS1R (PCS Status 1 Register, MMD Device 3, Address 0x01)

Bit	Name	RW	Default	Description
3.1.15:12	RSVD	RO	0	Reserved.
3.1.11	TX LPI Received	RO, LH	0	1: TX PCS has received LPI 0: LPI not received
3.1.10	RX LPI Received	RO, LH	0	1: RX PCS has received LPI 0: LPI not received
3.1.9	TX LPI Indication	RO	0	1: TX PCS is currently receiving LPI 0: TX PCS is not currently receiving LPI
3.1.8	RX LPI Indication	RO	0	1: RX PCS is currently receiving LPI 0: RX PCS is not currently receiving LPI
3.1.7	RSVD	RO	0	Reserved.
3.1.6	Clock Stop Capable	RO	1	1: MAC stops TXC in LPI 0: TXC not stoppable
3.1.5:0	RSVD	RO	0	Reserved.

8.4.25. EEECR (EEE Capability Register, MMD Device 3, Address 0x14)

Table 47. EEECR (EEE Capability Register, MMD Device 3, Address 0x14)

Bit	Name	RW	Default	Description
3.20.15:3	RSVD	RO	0	Reserved.
3.20.2	1000BASE-T EEE	RO	1	1: EEE is supported for 1000Base-T EEE 0: EEE is not supported for 1000Base-T EEE
3.20.1	100BASE-TX EEE	RO	1	1: EEE is supported for 100Base-TX EEE 0: EEE is not supported for 100Base-TX EEE
3.20.0	RSVD	RO	0	Reserved.

8.4.26. EEEWER (EEE Wake Error Register, MMD Device 3, Address 0x16)

Table 48. EEEWER (EEE Wake Error Register, MMD Device 3, Address 0x16)

Bit	Name	RW	Default	Description
3.22.15:0	EEE Wake Error Counter	RC	0	Used by PHY types that support EEE to count wake time faults where the PHY fails to complete its normal wake sequence within the time required for the specific PHY type .

8.4.27. EEEAR (EEE Advertisement Register, MMD Device 7, Address 0x3c)

Table 49. EEEAR (EEE Advertisement Register, MMD Device 7, Address 0x3c)

Bit	Name	RW	Default	Description
7.60.15:3	RSVD	RW	0	Reserved.
7.60.2	1000BASE-T EEE	RW	1	Advertise 1000Base-T EEE Capability. 1: Advertise 0: Do not advertise
7.60.1	100BASE-TX EEE	RW	1	Advertise 100Base-TX EEE Capability. 1: Advertise 0: Do not advertise
7.60.0	RSVD	RW	0	Reserved.

8.4.28. EEELPAR (EEE Link Partner Ability Register, MMD Device 7, Address 0x3d)

Table 50. EEELPAR (EEE Link Partner Ability Register, MMD Device 7, Address 0x3d)

Bit	Name	RW	Default	Description
7.61.15:3	RSVD	RO	0	Reserved.
7.61.2	LP 1000BASE-T EEE	RO	0	1: Link Partner is capable of 1000Base-T EEE 0: Link Partner is not capable of 1000Base-T EEE
7.61.1	LP 100BASE-TX EEE	RO	0	1: Link Partner is capable of 100Base-TX EEE 0: Link Partner is not capable of 100Base-TX EEE
7.61.0	RSVD	RO	0	Reserved.

8.4.29. LACR (LED Action Control Register, ExtPage 0x2c, Address 0x1a)

Table 51. LACR (LED Action Control Register, ExtPage 0x2c, Address 0x1a)

Bit	Name	RW	Default	Description
15:7	RSVD	RO	0	Reserved.
6:4	LEDActCtrl	RW	101	LED Blinking Mode Setting. 1: Blinking mode 0: Steady mode
3:0	RSVD	RO	0	Reserved.

Note: This register is used in conjunction with the LED Control Register (ExtPage 44, Register 28).

8.4.30. LCR (LED Control Register, ExtPage 0x2c, Address 0x1c)

Table 52. LCR (LED Control Register, ExtPage 0x2c, Address 0x1c)

Bit	Name	RW	Default	Description
15:11	RSVD	RO	0	Reserved.
10:8	LED2 Control	RO	111	LED2 Control Bits.
7	RSVD	RO	0	Reserved.
6:4	LED1 Control	RO	111	LED1 Control Bits.
3	RSVD	RO	0	Reserved.
2:0	LED0 Control	RO	000	LED0 Control Bits.

Note: This register is used in conjunction with the LED Action Control Register (ExtPage 44, Register 26).

8.4.31. ACCR (Auto-Crossover Control Register, ExtPage 0x2d, Address 0x18)

Table 53. ACCR (Auto-Crossover Control Register, ExtPage 0x2d, Address 0x18)

Bit	Name	RW	Default	Description
15:6	RSVD	RO	0	Reserved.
5	Disable Crossover	RW	0	1: Disable Auto-crossover and determine MDI/MDIX mode via bit 16.5.
4:0	RSVD	RO	0	Reserved.

9. Switching Regulator

The RTL8211E-VB(VL)/RTL8211EG-VB incorporates a state-of-the-art switching regulator that requires a well-designed PCB layout in order to achieve good power efficiency and lower the output voltage ripple and input overshoot. The switching regulator 1.05V output pin (REG_OUT) should be connected only to DVDD10 and AVDD10 (do not provide this power source to other devices).

9.1. PCB Layout

- The input 3.3V power trace connected to VDDREG must be wider than 40mils
- The bulk de-coupling capacitors (Cin1 and Cin2) must be placed within 200mils (0.5cm) of VDDREG to prevent input voltage overshoot
- The output power trace out of REG_OUT must be wider than 60mils
- Lx (2.2 μ H/4.7 μ H) must be kept within 200mils (0.5cm) of REG_OUT
- Cout1 and Cout2 must be kept within 200mils (0.5cm) of Lx to ensure stable output power and better power efficiency
- For switching regulator stability, the capacitor Cout1 and Cout2 must be a ceramic (X5R) capacitor. Cin1 and Cin2 are recommended to be ceramic capacitors
- Place Lx and Cin1 on the same layer as the RTL8211E-VB(VL)/RTL8211EG-VB. Do not use vias on VDDREG and REG_OUT traces

Note: Violation of the above rules will damage the IC.

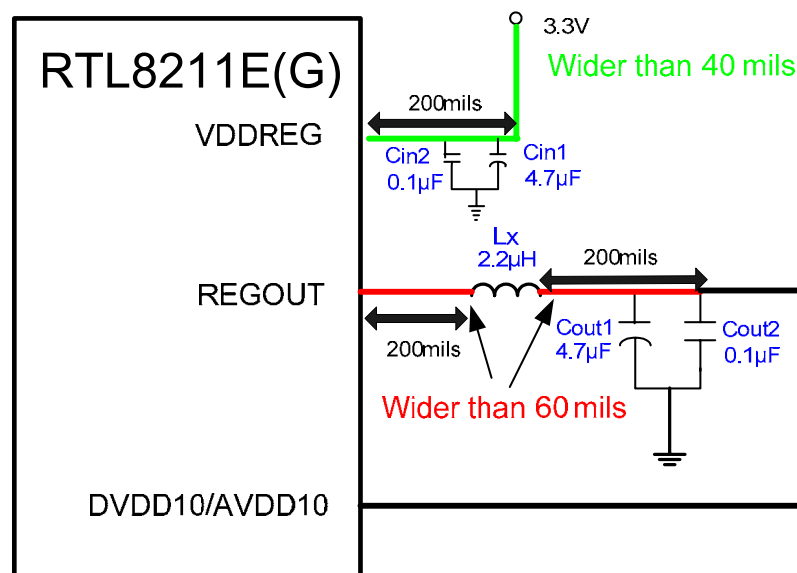


Figure 11. Switching Regulator

9.2. Inductor and Capacitor Parts List

Table 54. Inductor and Capacitor Parts List

Inductor Type	Inductance	Max IDC (mA)	Variation	Output Ripple (mV)
GLK2510P-2R2M	2.2 μ H	1000	$\leq 20\%$	(See Figure 15, Figure 16)
GLK2510P-4R7M	4.7 μ H	750	$\leq 20\%$	(See Figure 17, Figure 18)
GTSD32P-2R2M	2.2 μ H	1500	$\leq 20\%$	(See Figure 19)

Note 1: The ESR is equivalent to RDC or DCR. Lower ESR inductor values will promote a higher-efficiency switching regulator.

Note 2: The power inductor used by the switching regulator must be able to withstand 600mA of current.

Note 3: Typically, if the power inductor's ESR at 1MHz is below 0.8 Ω , the switching regulator efficiency will be above 75%. However the actual switching regulator efficiency should be measured according to the method described in section 9.4 Efficiency Measurement, page 54.

Note 4: If the inductor does not meet this requirement, it may damage the switching regulator. Refer to the RTL8211E_EG inductor Approved Vendor List (AVL) for details.

Capacitor Type	Capacitance	ESR at 1MHz (m Ω)	Output Ripple (mV)
4.7 μ F 0805 X5R TDK	4.838	40.28	(See Figure 15, Figure 17)
10 μ F 0603 X5R YAGEO	11.956	58.29	(See Figure 16, Figure 18)

Note: Capacitors (Cin1 & Cin2) must be ceramic due to their low ESR value. Lower ESR values will yield lower output voltage ripple.

9.3. Measurement Criteria

In order for the switching regulator to operate properly, the input and output voltage measurement criteria must be met. From the input side, the voltage overshoot cannot exceed 4V; otherwise the chip may be damaged. Note that the voltage signal must be measured directly at the VDDREG pin, not at the capacitor. In order to reduce the input voltage overshoot, the Cin1 and Cin2 must be placed close to the VDDREG pin. The following figures show what a good input voltage and a bad one look like.

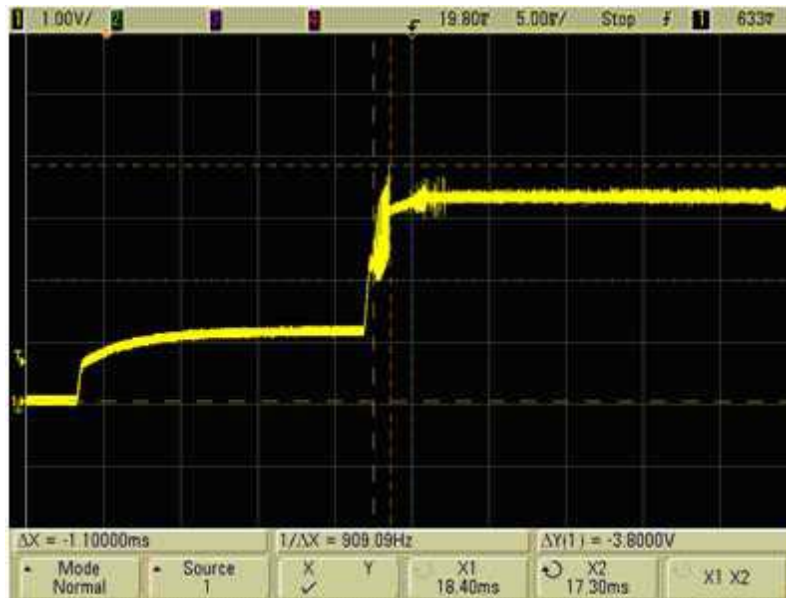


Figure 12. Input Voltage Overshoot <4V (Good)

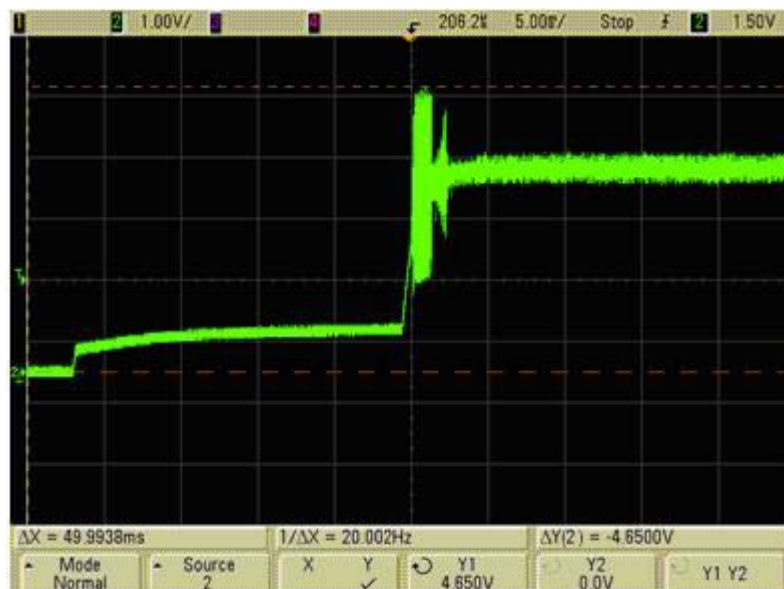


Figure 13. Input Voltage Overshoot >4V (Bad)

From the output side measured at the REG_OUT pin, the voltage ripple must be within 100mV peak-to-peak. Choosing different types and values of input and output capacitor (Cin1, Cin2; Cout1, Cout2) and power inductor (Lx) will seriously affect the efficiency and output voltage ripple of switching regulators. The following figures show the effects of different types of capacitors on the switching regulator's output voltage.

The blue square wave signal (top row) is measured at the output of the REG_OUT pin before the power inductor (Lx). The yellow signal (second row) is measured after the power inductor (Lx), and shows there is a voltage ripple. The green signal (lower row) is the current. Data in the following figures was measured at gigabit speed.



Figure 14. Ceramic 10 μ F 0603 (X5R) (Good)



Figure 15. L=GLK2510P-2R2M, C=Ceramic 4.7 μ F 0805 X5R TDK (Ripple 12.4mV)

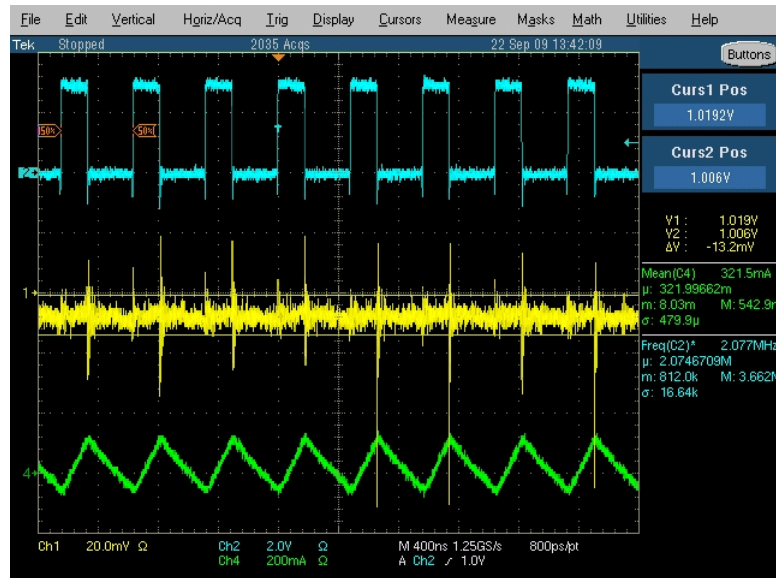


Figure 16. L=GLK2510P-2R2M, C=Ceramic 10 μ F 0603 X5R YAGEO (Ripple 13.2mV)

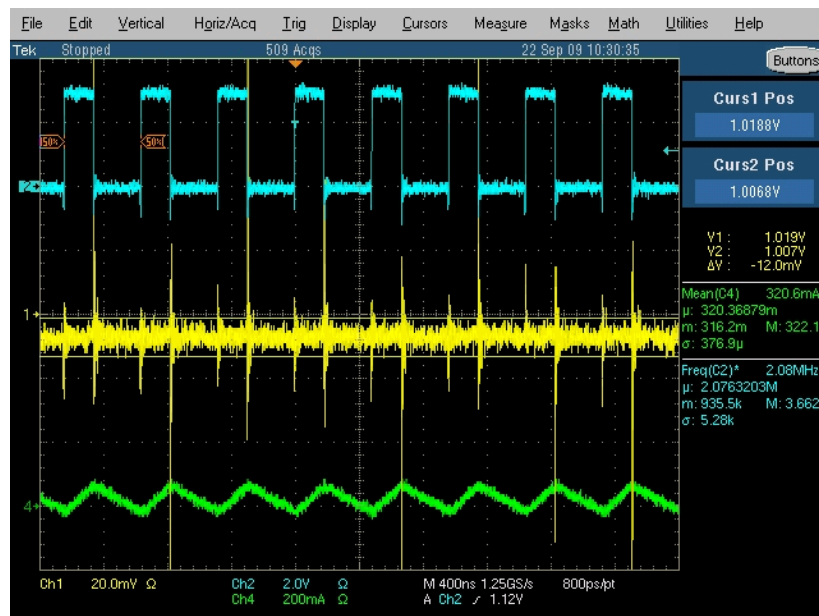


Figure 17. L=GLK2510P-4R7M, C=Ceramic 4.7 μ F 0805 X5R TDK (Ripple 12mV)

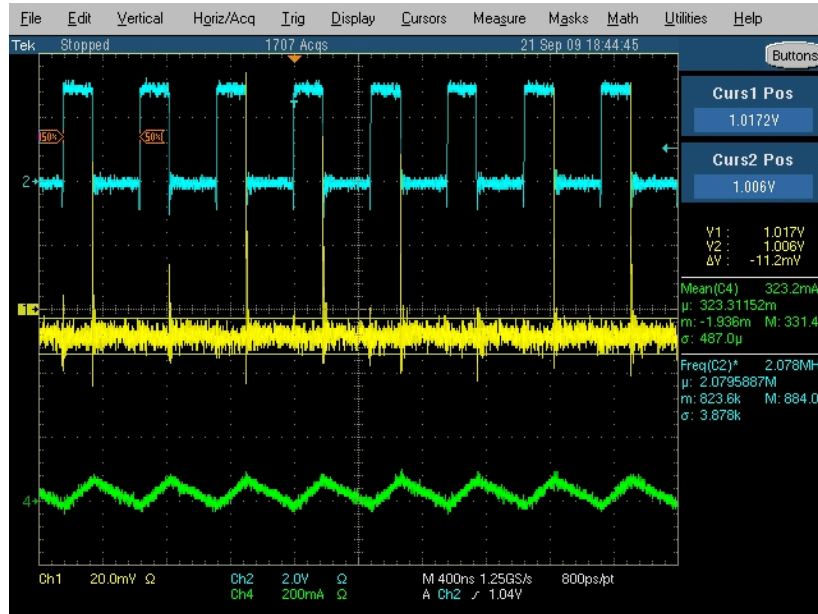


Figure 18. L=GLK2510P-4R7M, C=Ceramic 10 μ F 0603 X5R YAGEO (Ripple 11.2mV)

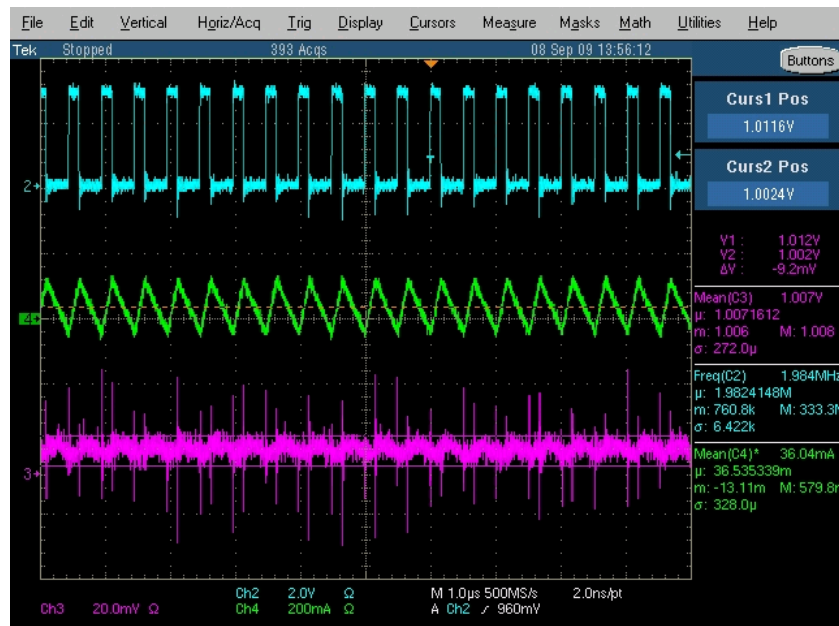


Figure 19. L=GTSD32P-2R2M, C=Ceramic 4.7 μ F 0805 X5R TDK (Ripple 9.2mV)

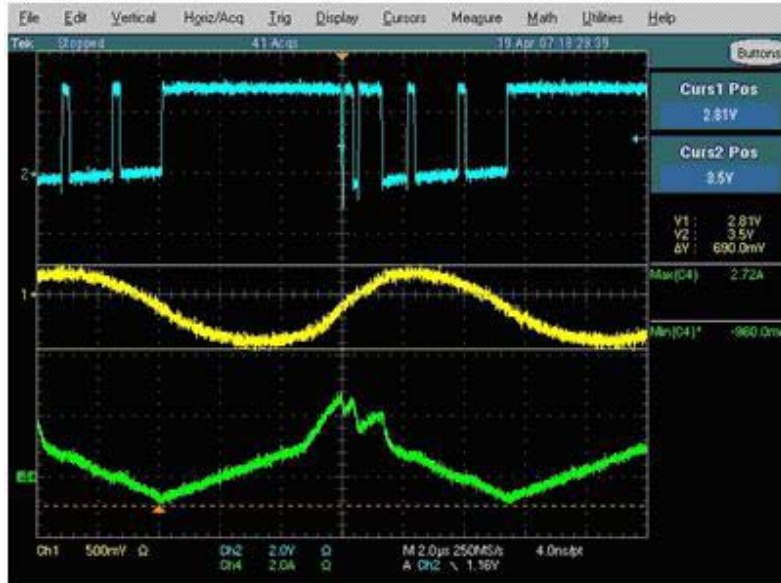


Figure 20. Ceramic 10 μ F (Y5V) (Bad)

A ceramic 10 μ F (X5R) will have a lower voltage ripple compared to an electrolytic 100 μ F. The key to choosing a proper output capacitor is to choose the lowest ESR to reduce the output voltage ripple. Choosing a ceramic 10 μ F (Y5V) in this case will cause malfunction of the switching regulator. Placing several Electrolytic capacitors in parallel will help lower the output voltage ripple.



Figure 21. Electrolytic 100 μ F (Ripple Too High)

The following figures show how different inductors affect the REG_OUT output waveform. The typical waveform should look like Figure 22, which has a square waveform with a dip at the falling edge and the rising edge. If the inductor is not carefully chosen, the waveform may look like Figure 23, where the waveform looks like a distorted square. This will cause insufficient current supply and will undermine the stability of the system at gigabit speed. Data in the following figures was measured at gigabit speed

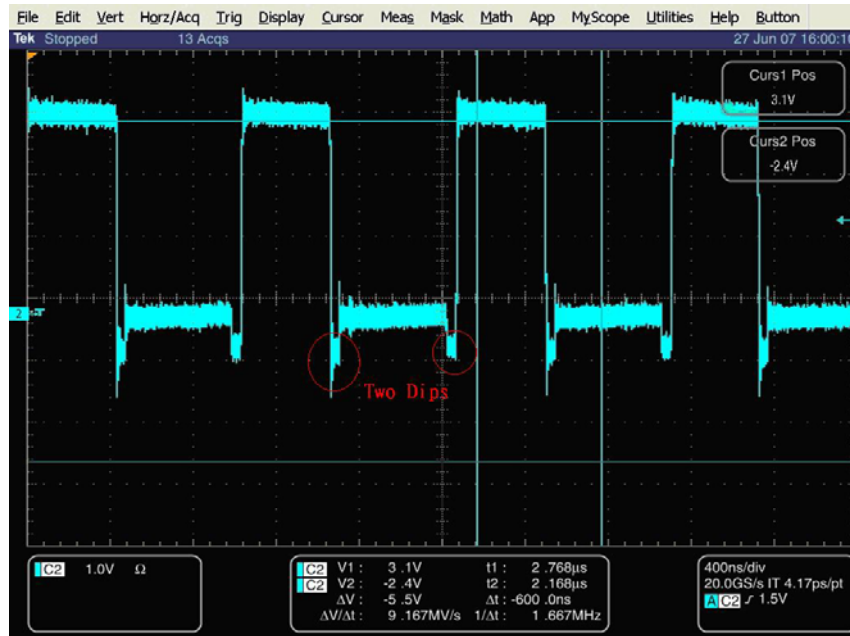


Figure 22. GTSD32P-2R2M (Good)

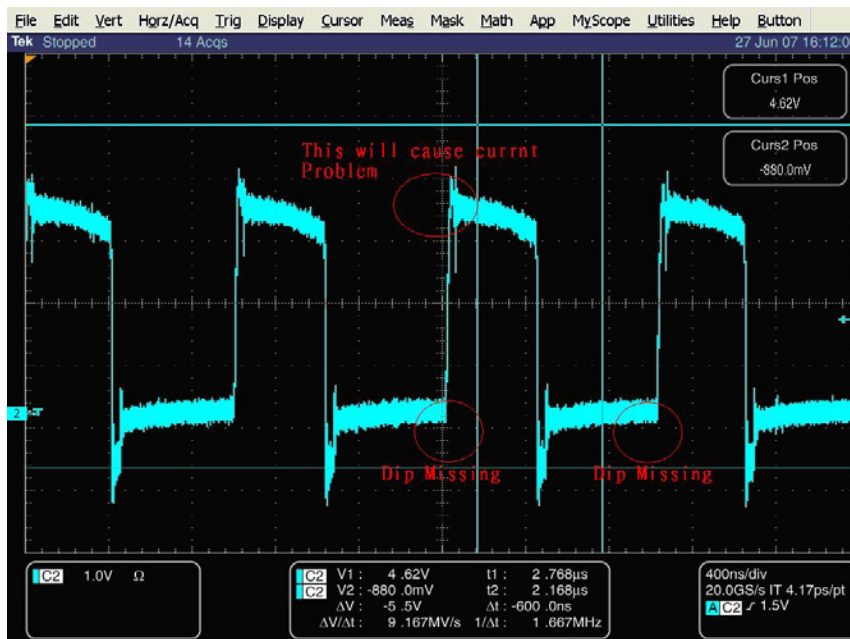


Figure 23. 1 μ H Bead (Bad)

9.4. Efficiency Measurement

The efficiency of the switching regulator is designed to be above 75% in gigabit traffic mode. It is very important to choose a suitable inductor before Gerber certification, as the Inductor ESR value will affect the efficiency of the switching regulator. An inductor with a lower ESR value will result in a higher-efficiency switching regulator.

The efficiency of the switching regulator is easily measured using the following method.

Figure 24 shows two checkpoints, checkpoint A (CP_A) and checkpoint B (CP_B). The switching regulator input current (Icpa) should be measured at CP_A, and the switching regulator output current (Icpb) should be measured at CP_B.

To determine efficiency, apply the following formula:

$$\text{Efficiency} = V_{cpb} \cdot I_{cpb} / V_{cpa} \cdot I_{cpa}$$

Where V_{cpb} is 1.05V; V_{cpa} is 3.3V. The measurements should be performed in gigabit traffic mode.

For example: The inductor used in the evaluation board is a GOTREND GTSD32-4R7M:

- The ESR value @ 1MHz is approximately 0.712ohm
- The measured I_{cpa} is 101mA at CP_A
- The measured I_{cpb} is 263mA at CP_B

These values are measured in gigabit traffic mode, so the efficiency of the GOTREND GTSD32-4R7M can be calculated as follows:

$$\text{Efficiency} = (1.05V \cdot 263mA) / (3.3V \cdot 101mA) = 0.823 = 82.3\%$$

We strongly recommend that when choosing an inductor for the switching regulator, the efficiency should be measured, and that the inductor should yield an efficiency rating higher than 75%. If the efficiency does not meet this requirement, there may be risk to the switching regulator reliability in the long run.

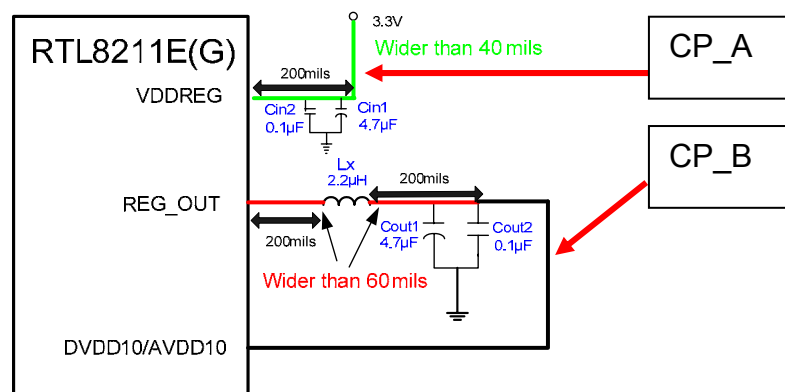


Figure 24. Switching Regulator Efficiency Measurement Checkpoint

9.5. Power Sequence

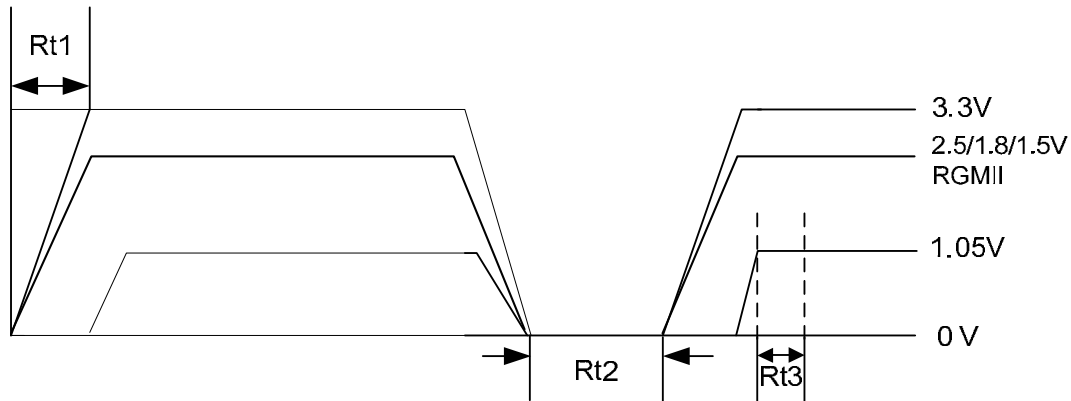


Figure 25. Power Sequence

Table 55. Power Sequence parameter

Symbol	Description	Min	Typical	Max	Units
Rt1	3.3V Rise Time	1	-	100	ms
Rt1	2.5/1.8/1.5V RGMII Rise Time	-	-	100	ms
Rt2	3.3V Off Time	100	-	-	ms
Rt3	Core Logic Ready Time	20	-	-	ms

Note 1: The RTL8211E-VB(VL)/RTL8211EG-VB does not support fast 3.3V rising. The 3.3V rise time must be controlled over 1ms. If the rise time is too short, it will induce a peak voltage in VDDREG which may cause permanent damage to the switching regulator.

Note 2: If there is any action that involves consecutive ON/OFF toggling of the switching-regulator source (3.3V), the design must make sure the OFF state of both the switching-regulator source (3.3V) and output (1.05V) reach 0V, and the time period between the consecutive ON/OFF toggling action must be longer than 100ms.

Note 3: When using an external oscillator or clock source, on stopping the clock source the RTL8211E-VB(VL)/RTL8211EG-VB must also be powered off.

Note 4: 2.5V (or 1.8/1.5V) RGMII power should be risen simultaneously or slightly earlier than 3.3V power. Rising 2.5V (or 1.8/1.5V) power later than 3.3V power may lead to errors.

10. Characteristics

10.1. Absolute Maximum Ratings

WARNING: Absolute maximum ratings are limits beyond which permanent damage may be caused to the device, or device reliability will be affected. All voltages are specified reference to GND unless otherwise specified.

Table 56. Absolute Maximum Ratings

Symbol	Description	Minimum	Maximum	Unit
VDD33, AVDD33	Supply Voltage 3.3V	-0.4	3.7	V
AVDD10, DVDD10	Supply Voltage 1.05V	-0.1	1.26	V
2.5V RGMII/GMII	Supply Voltage 2.5V	-0.2	2.8	V
1.8V RGMII	Supply Voltage 1.8V	-0.2	2.3	V
1.5V RGMII	Supply Voltage 1.5V	-0.2	2.0	V
DCinput	Input Voltage	-0.5	Corresponding Supply Voltage + 0.5	V
DCoutput	Output Voltage	-0.3	Corresponding Supply Voltage + 0.5	V
NA	Storage Temperature	-55	+125	°C

Note: Refer to the most updated schematic circuit for correct configuration.

10.2. Recommended Operating Conditions

Table 57. Recommended Operating Conditions

Description	Pins	Minimum	Typical	Maximum	Unit
Supply Voltage VDD	DVDD33, AVDD33	2.97	3.3	3.63	V
	AVDD10, DVDD10	0.95	1.05	1.09	V
	2.5V RGMII/GMII	2.4	2.5	2.62	V
	1.8V RGMII	1.5	1.8	2.2	V
	1.5V RGMII	1.43	1.5	1.9	V
Ambient Operating Temperature T _A	-	0	-	70	°C
Maximum Junction Temperature	-	-	-	125	°C

10.3. Crystal Requirements

Table 58. Crystal Requirements

Symbol	Description/Condition	Minimum	Typical	Maximum	Unit
F _{ref}	Parallel Resonant Crystal Reference Frequency, Fundamental Mode, AT-Cut Type.	-	25	-	MHz
F _{ref} Stability	Parallel Resonant Crystal Frequency Stability, Fundamental Mode, AT-Cut Type. Ta=0°C~70°C.	-30	-	+30	ppm
F _{ref} Tolerance	Parallel Resonant Crystal Frequency Tolerance, Fundamental Mode, AT-Cut Type. Ta=25°C.	-50	-	+50	ppm
F _{ref} Duty Cycle	Reference Clock Input Duty Cycle.	40	-	60	%
ESR	Equivalent Series Resistance.	-	-	30	Ω
DL	Drive Level.	-	-	0.5	mW
Jitter	Broadband Peak-to-Peak Jitter ^{1, 2}	-	-	200	ps

Note 1: 25KHz to 25MHz RMS < 3ps.

Note 2: Broadband RMS < 9ps.

10.4. Oscillator/External Clock Requirements

Table 59. Oscillator/External Clock Requirements

Parameter	Condition	Minimum	Typical	Maximum	Unit
Frequency	-	-	25/50	-	MHz
Frequency Stability	Ta = 0°C~70°C	-30	-	30	ppm
Frequency Tolerance	Ta = 25°C	-50	-	50	ppm
Duty Cycle	-	40	-	60	%
Broadband Peak-to-Peak Jitter ^{1,2}	-	-	-	200	ps
V _{peak-to-peak}	-	3.15	3.3	3.45	V
Rise Time (10%~90%)	-	-	-	10	ns
Fall Time (10%~90%)	-	-	-	10	ns
Operating Temperature Range	-	0	-	70	°C

Note 1: 25KHz to 25MHz RMS < 3ps.

Note 2: Broadband RMS < 9ps.

10.5. DC Characteristics

Table 60. DC Characteristics

Symbol	Parameter	Conditions	Minimum	Typical	Maximum	Units
VDD33, AVDD33	3.3V Supply Voltage	-	2.97	3.3	3.63	V
1. MDIO (Table 5) 2. RGMII/GMII I/O (Table 3/Table 4)	2.5V RGMII/GMII Supply Voltage	-	2.37	2.5	2.62	V
1. MDIO (Table 5) 2. RGMII I/O (Table 3)	1.5V RGMII Supply Voltage	-	1.43V	1.5V	1.9V	V
1. MDIO (Table 5) 2. RGMII I/O (Table 3)	1.8V RGMII Supply Voltage	-	1.5V	1.8V	2.2V	V
DVDD10, AVDD10	1.05V Supply Voltage	-	0.95	1.05	1.09	V
Voh (3.3V)	Minimum High Level Output Voltage	-	0.9*VDD33	-	VDD33	V
Voh (2.5V)	Minimum High Level Output Voltage	-	0.9*VDD25	-	VDD25	V
Voh (1.8V)	Minimum High Level Output Voltage	-	0.9*VDD18	-	VDD18	V
Voh (1.5V)	Minimum High Level Output Voltage	-	0.9*VDD15	-	VDD15	V
Vol (3.3V)	Maximum Low Level Output Voltage	-	0	-	0.1*VDD33	V
Vol (2.5V)	Maximum Low Level Output Voltage	-	0	-	0.1*VDD25	V
Vol (1.8V)	Maximum Low Level Output Voltage	-	0	-	0.1*VDD18	V
Vol (1.5V)	Maximum Low Level Output Voltage	-	0	-	0.1*VDD15	V
Vih (3.3V)	Minimum High Level Input Voltage	-	1.8	-	-	V
Vil (3.3V)	Maximum Low Level Input Voltage	-	-	-	0.9	V
Vih (2.5V)	Minimum High Level Input Voltage	-	1.7	-	-	V
Vil (2.5V)	Maximum Low Level Input Voltage	-	-	-	0.7	V
Vih (1.8V)	Minimum High Level Input Voltage	-	1.2	-	-	V
Vil (1.8V)	Maximum Low Level Input Voltage	-	-	-	0.5	V
Vih (1.5V)	Minimum High Level Input Voltage	-	1.0	-	-	V
Vil (1.5V)	Maximum Low Level Input Voltage	-	-	-	0.3	V
Iin	Input Current	Vin=VDD33 or GND	0	-	0.5	μA

Note: Pins not mentioned above remain at 3.3V.

10.6. AC Characteristics

10.6.1. MDC/MDIO Timing

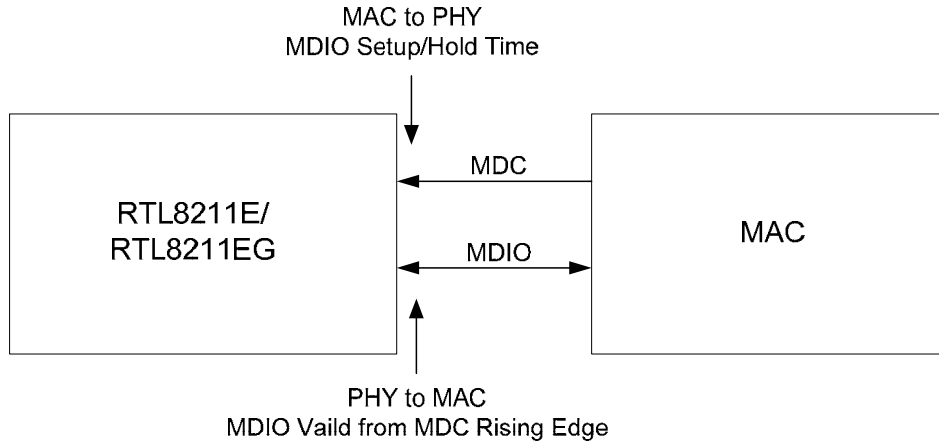


Figure 26. MDC/MDIO Setup, Hold Time, and Valid from MDC Rising Edge Time Definitions

MDC/MDIO Timing – Management Port

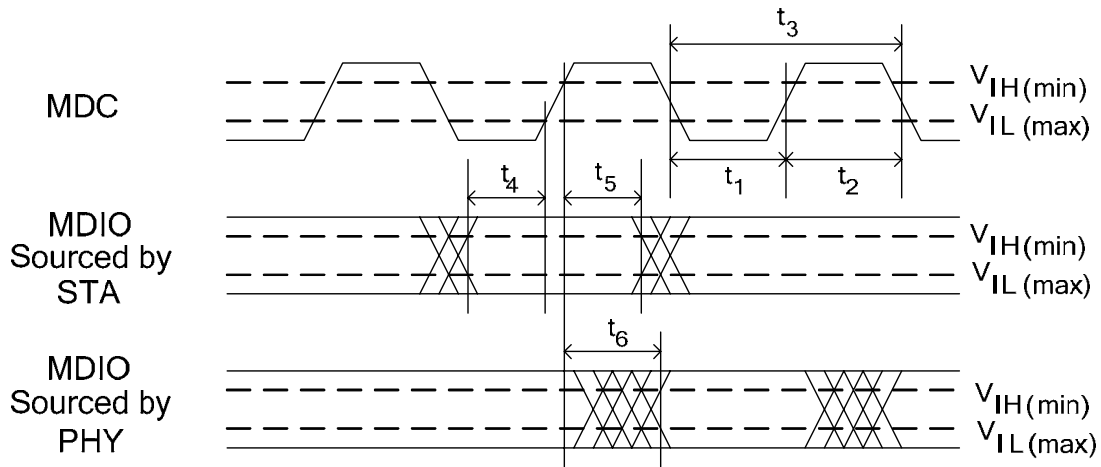


Figure 27. MDC/MDIO Management Timing Parameters

Table 61. MDC/MDIO Management Timing Parameters

Symbol	Description	Minimum	Maximum	Unit
t_1	MDC High Pulse Width	160	-	ns
t_2	MDC Low Pulse Width	160	-	ns
t_3	MDC Period	400	-	ns
t_4	MDIO Setup to MDC Rising Edge	10	-	ns
t_5	MDIO Hold Time from MDC Rising Edge	10	-	ns
t_6	MDIO Valid from MDC Rising Edge	0	300	ns

10.6.2. MII Transmission Cycle Timing (RTL8211EG-VB Only)

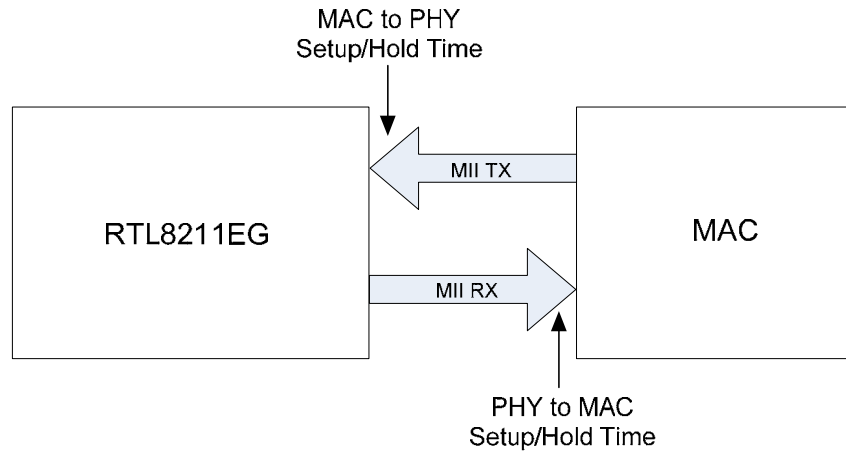


Figure 28. MII Interface Setup/Hold Time Definitions

Figure 29 show an example of a packet transfer from MAC to PHY on the MII interface.

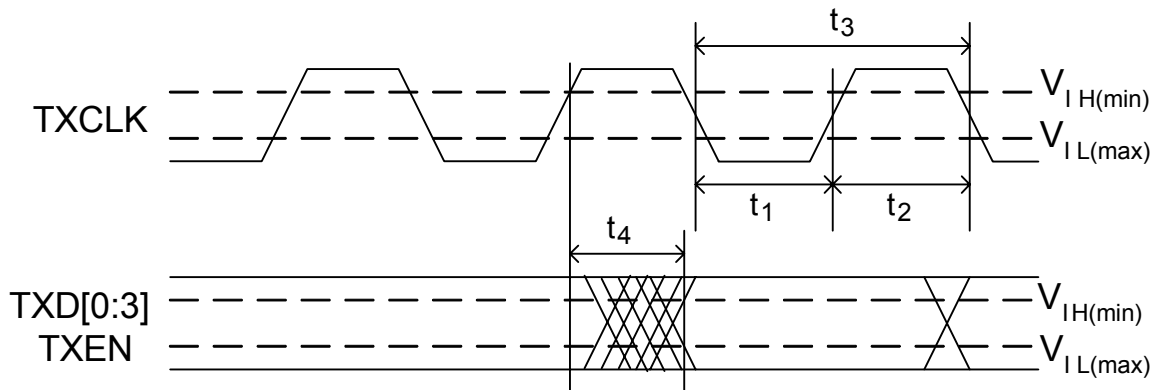


Figure 29. MII Transmission Cycle Timing

Table 62. MII Transmission Cycle Timing

Symbol	Description		Minimum	Typical	Maximum	Unit
t ₁ , t ₂	TXCLK Duty Cycle	100Mbps	40	50	60	%
		10Mbps	40	50	60	%
t ₃	TXCLK Period	100Mbps	-	40	-	ns
		10Mbps	-	400	-	ns
t ₄	TXEN, TXD[0:3] Hold After TXCLK Rising Edge	100Mbps	0	-	25	ns
		10Mbps	0	-	25	ns

10.6.3. MII Reception Cycle Timing (RTL8211EG-VB Only)

Figure 30 show an example of a packet transfer from PHY to MAC on the MII interface.

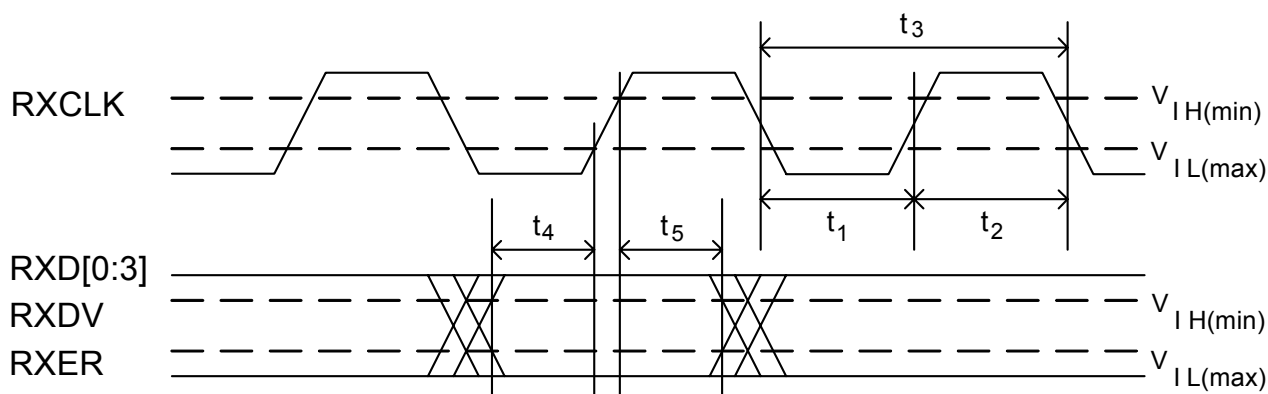


Figure 30. MII Reception Cycle Timing

Table 63. MII Reception Cycle Timing

Symbol	Description		Minimum	Typical	Maximum	Unit
t ₁ , t ₂	RXCLK Duty Cycle	100Mbps	40	50	60	%
		10Mbps	40	50	60	%
t ₃	RXCLK Period	100Mbps	-	40	-	ns
		10Mbps	-	400	-	ns
t ₄	RXER, RXDV, RXD[0:3] Setup to RXCLK Rising Edge	100Mbps	10	-	-	ns
		10Mbps	10	-	-	ns
t ₅	RXER, RXDV, RXD[0:3] Hold After RXCLK Rising Edge	100Mbps	10	-	-	ns
		10Mbps	10	-	-	ns

10.6.4. GMII Timing Modes (RTL8211EG-VB Only)

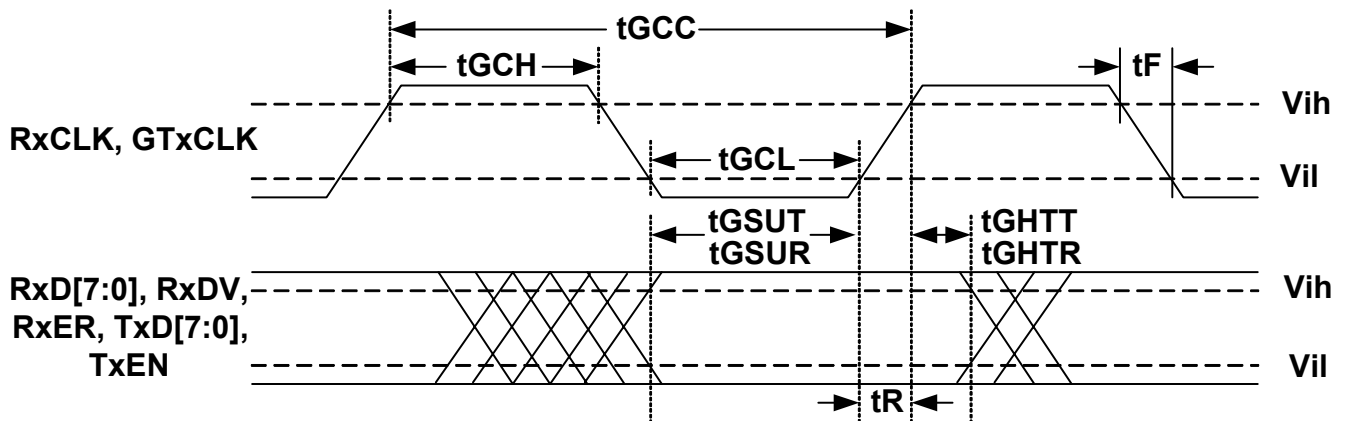


Figure 31. GMII Timing

Table 64. GMII Timing Parameters

Symbol	Description	Min	Typical	Max	Units
tGCC	RxCLK Cycle Time	7.5	8	8.5	ns
tGCH	GTxCLK, RxCLK High Time	2.5	-	-	ns
tGCL	GTxCLK, RxCLK Low Time	2.5	-	-	ns
tR	GTxCLK, RxCLK Rise Time	-	-	1	ns
tF	GTxCLK, RxCLK Fall Time	-	-	1	ns
tGSUT	RxD, RxDV, RxER Setup to \uparrow of RxCLK	2.5	-	-	ns
tGHTT	RxD, RxDV, RxER Hold from \uparrow of RxCLK	0.5	-	-	ns
tGSUR	TxD, TxEN Setup to \uparrow of GTxCLK	2	-	-	ns
tGHTR	TxD, TxEN Hold from \uparrow of GTxCLK	0	-	-	ns

10.6.5. RGMII Timing Modes

Timing for this interface will be such that the clock and data are generated simultaneously by the source of the signals and therefore skew between the clock and data is critical to proper operation.

Figure 32 shows the effect of adding an internal delay to TXC when in RGMII mode.

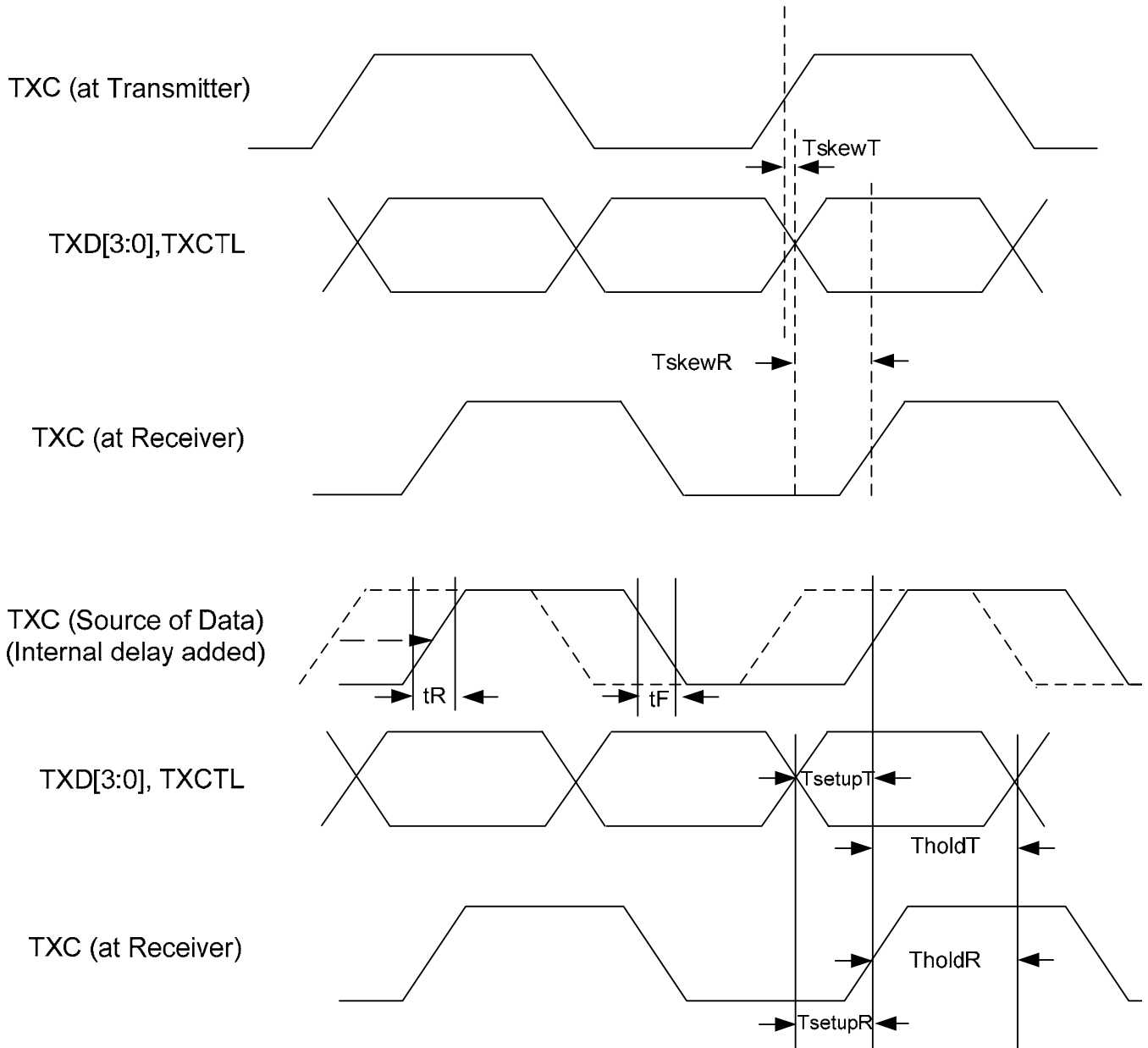


Figure 32. RGMII Timing Modes (For TXC)

Figure 33 shows the effect of adding an internal delay to the RXC flow when in RGMII mode.

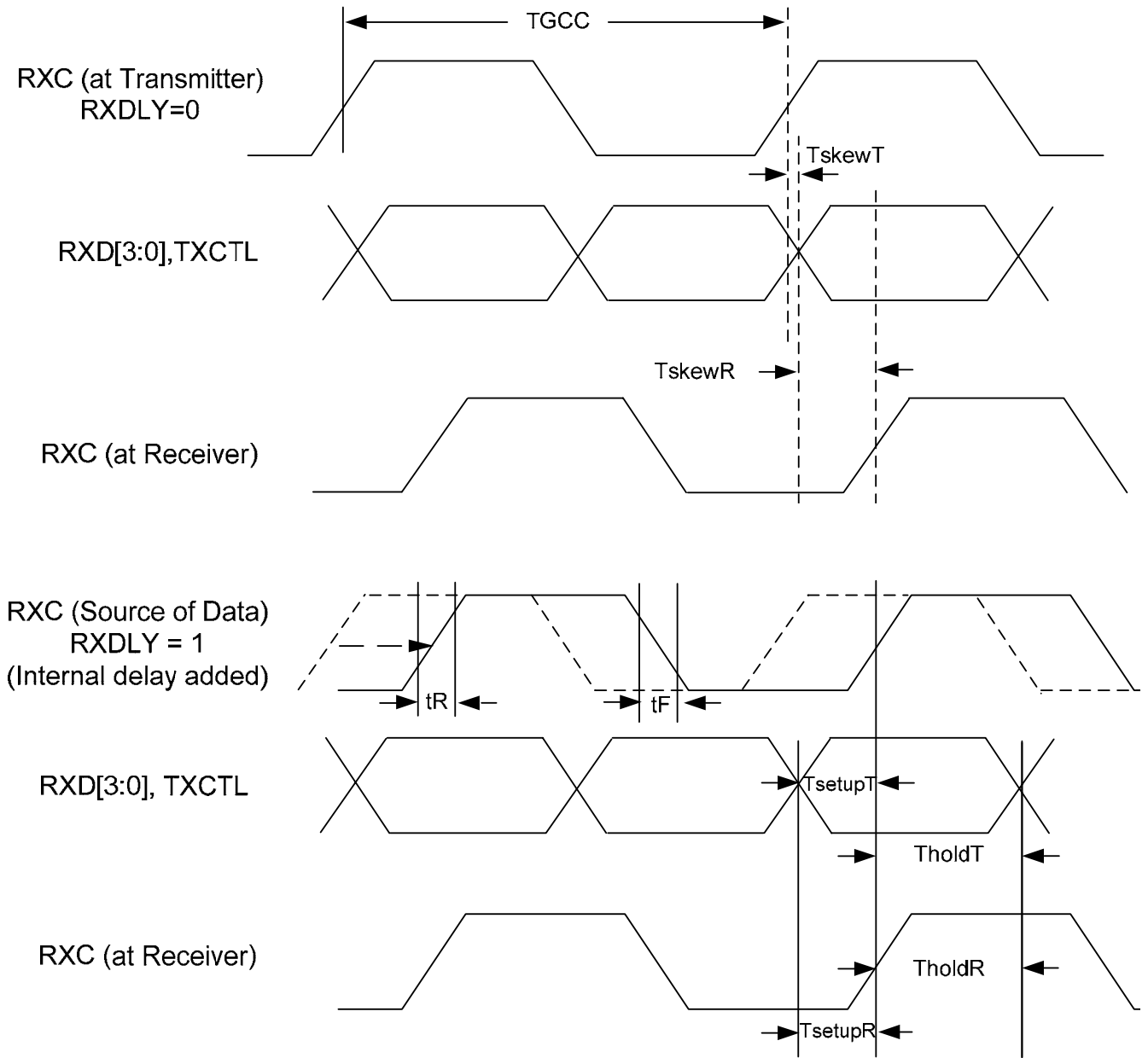


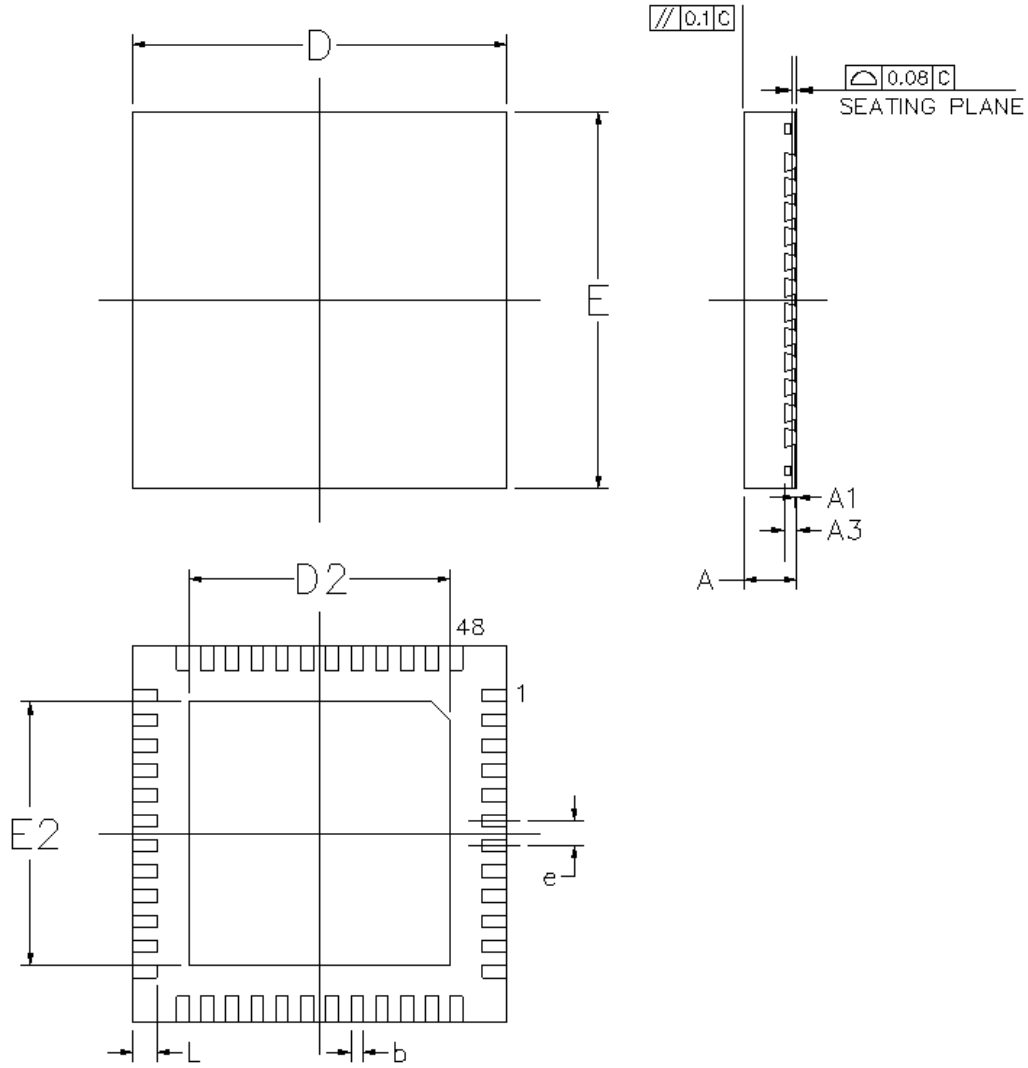
Figure 33. RGMII Timing Modes (For RXC)

Table 65. RGMII Timing Parameters

Symbol	Description	Min	Typical	Max	Units
TGCC	Clock Cycle Duration (Giga)	7.2	8	8.8	ns
	Clock Cycle Duration (100Mbps)	36	40	44	ns
	Clock Cycle Duration (10Mbps)	360	400	440	ns
Duty_G	Duty Cycle for Gigabit	45	50	55	%
Duty_T	Duty Cycle for 10/100T	40	50	60	%
tR	RXC Rise Time (20%~80%)	-	-	0.75	ns
tF	RXC Fall Time (20%~80%)	-	-	0.75	ns
TsetupT	Data to Clock Output Setup (at transmitter integrated delay)	1.2	2	-	ns
TholdT	Data to Clock Output Hold (at transmitter integrated delay)	1.2	2	-	ns
TsetupR	Data to Clock Input Setup (at receiver integrated delay)	1.0	2	-	ns
TholdR	Data to Clock Input Hold (at receiver integrated delay)	1.0	2	-	ns
TskewT	Data to Clock Output Skew (at transmitter)	-0.5	0	0.5	ns
TskewR	Data to Clock Input Skew (at receiver) This implies that PC board design will require clocks to be routed such that an additional trace delay of greater than 1.5ns and less than 2.0ns will be added to the associated clock signal.	1	1.8	2.6	ns

11. Mechanical Dimensions

11.1. RTL8211E-VB/RTL8211E-VL Mechanical Dimensions (48-Pin QFN)



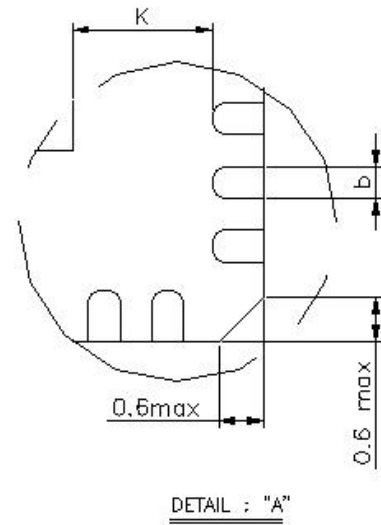
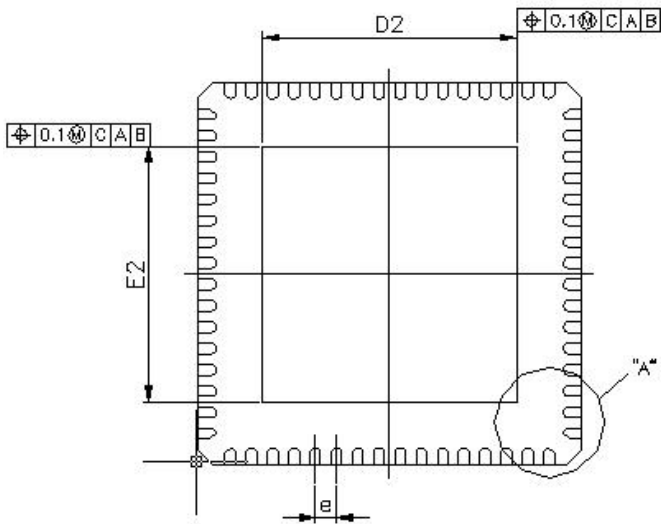
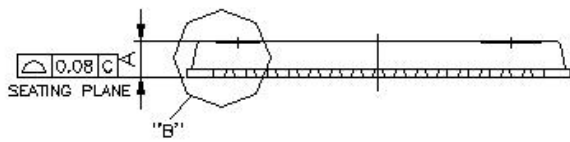
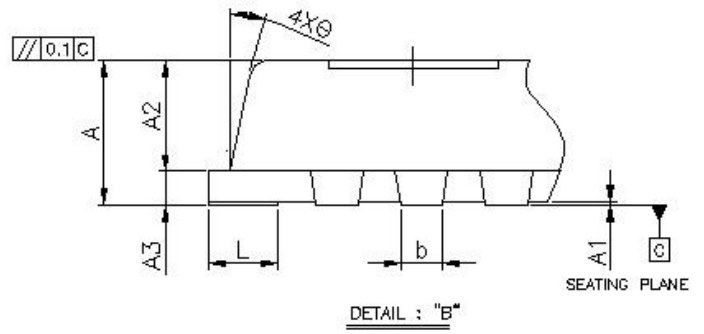
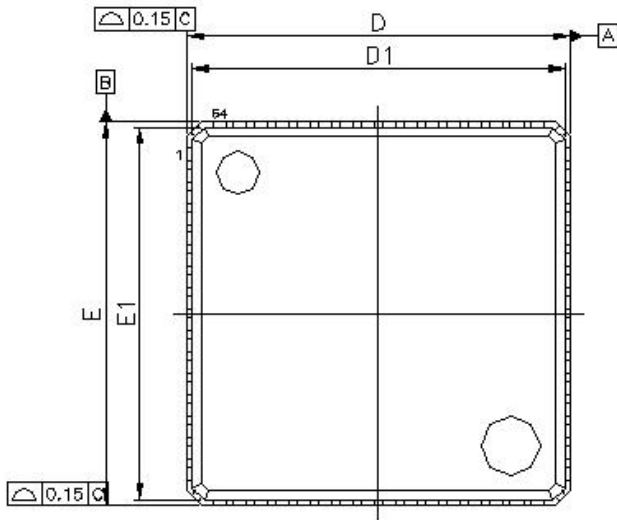
11.2. Mechanical Dimensions Notes ***(RTL8211E-VB/RTL8211E-VL)***

Symbol	Dimension in mm			Dimension in inch		
	Min	Nom	Max	Min	Nom	Max
A	0.75	0.85	1.00	0.030	0.034	0.039
A ₁	0.00	0.02	0.05	0.000	0.001	0.002
A ₃	0.20REF			0.008REF		
b	0.15	0.20	0.25	0.006	0.008	0.010
D/E	6.00BSC			0.236BSC		
D2/E2	4.15	4.4	4.65	0.163	0.173	0.183
e	0.40BSC			0.016BSC		
L	0.30	0.40	0.50	0.012	0.016	0.020

Note 1: CONTROLLING DIMENSION: MILLIMETER (mm).

Note 2: REFERENCE DOCUMENT: JEDEC MO-220.

11.3. RTL8211EG-VB Mechanical Dimensions (64-Pin QFN)



11.4. Mechanical Dimensions Notes (RTL8211EG-VB)

Symbol	Dimension in mm			Dimension in inch		
	Min	Nom	Max	Min	Nom	Max
A	0.75	0.85	1.00	0.030	0.034	0.039
A ₁	0.00	0.02	0.05	0.000	0.001	0.002
A ₂	0.55	0.65	0.80	0.022	0.026	0.032
A ₃	0.20REF			0.008REF		
b	0.18	0.25	0.30	0.007	0.010	0.012
D/E	9.00BSC			0.354BSC		
D ₁ /E ₁	8.75BSC			0.344BSC		
D ₂ /E ₂	3.55	3.80	4.05	0.140	0.150	0.160
e	0.50BSC			0.020BSC		
L	0.30	0.40	0.50	0.012	0.016	0.020
θ	0°	-	14°	0°	-	14°

Note 1: CONTROLLING DIMENSION: MILLIMETER (mm).

Note 2: REFERENCE DOCUMENT: JEDEC MO-220.

12. Ordering Information

Table 66. Ordering Information

Part Number	Package	Status
RTL8211E-VB-CG	48-Pin QFN with 'Green' Package (Supports 3.3V or 2.5V signaling for RGMII/GMII)	MP
RTL8211E-VL-CG	48-Pin QFN with 'Green' Package (Supports 1.5/1.8V RGMII)	MP
RTL8211EG-VB-CG	64-Pin QFN with 'Green' Package (Supports 3.3V or 2.5V signaling for RGMII/GMII)	MP

Note: See page 6 (RTL8211E-VB/RTL8211E-VL) & 7 (RTL8211EG-VB) for package identification.

Realtek Semiconductor Corp.**Headquarters**

No. 2, Innovation Road II

Hsinchu Science Park, Hsinchu 300, Taiwan

Tel.: +886-3-578-0211 Fax: +886-3-577-6047

www.realtek.com