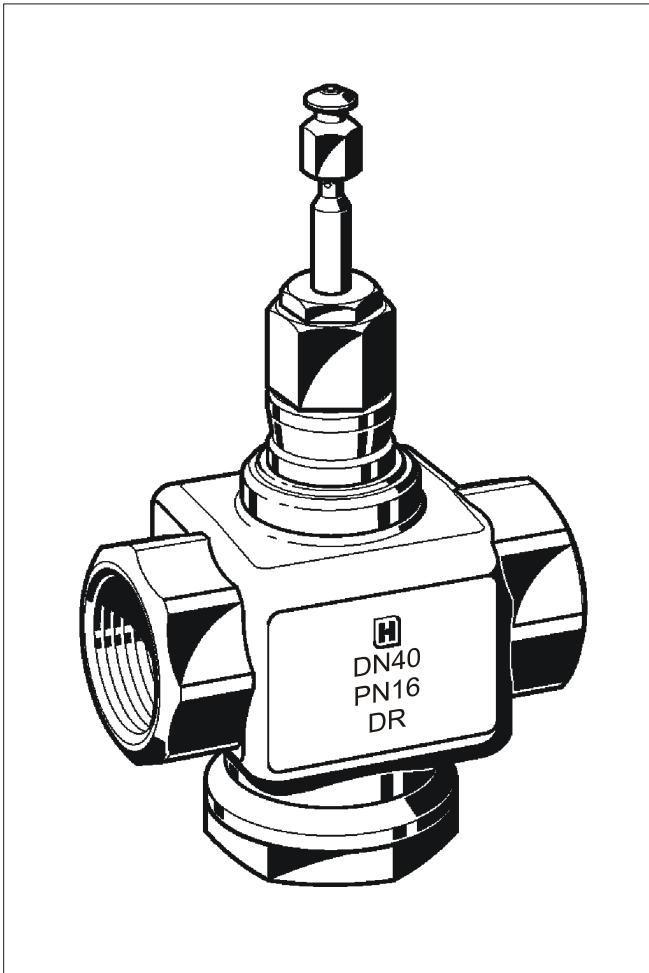


V5011S

INTERNAL THREADED END-CONNECTION LINEAR VALVE PN16

PRODUCT DATA



FEATURES

- Brass body with internal threaded end connections
- Low seat leakage rate
- Self-adjusting packing
- Accurate positioning to ensure state-of-the-art temperature control
- Directly-coupled electric and pneumatic actuators for easy mounting

SPECIFICATIONS

Action:	Stem down to close
Nominal pressure rating:	PN16
Flow characteristic:	Equal percentage
Rangeability:	50:1
Leakage rate:	≤0.05% of k_{vs}
Stroke:	20 mm
Valve body:	
Pipe connections:	Internal threading as per ISO228
Material:	Brass
Dimensions:	See Fig. 1 on page 3
Trim:	
Seat:	DN15: stainless steel DN20...50: body integrated
Plug:	Stainless steel
Stem:	Stainless steel
Packing:	Spring-loaded carbon fiber reinforced PTFE V-rings
Medium temperature and pressure:	
Water and steam	2 to 120 °C max. 1600 kPa 120 to 170 °C max. 1490 kPa
Max. temperature differential in alternating hot/cold water use:	60 K

APPLICATION

Single seated control or shutoff valve for:

- hot water;
- chilled water;
- saturated steam;
- superheated steam;
- domestic hot water;

in heating, ventilation, air conditioning systems, and open circuits.

Operated by

- electric linear actuators (e.g. ML6420/25, ML7420/25, ML6421, and ML7421) and
- pneumatic actuators (e.g. MP953).

SIZES AND FLOW CAPACITIES

Table 1. Size and flow capacity (in m³/h)

Order Number	Valve size	k _{vs} m ³ /h
V5011S1005	DN15	0.63
V5011S1013	DN15	1
V5011S1021	DN15	1.6
V5011S1039	DN15	2.5
V5011S1047	DN15	4
V5011S1054	DN20	6.3
V5011S1062	DN25	10
V5011S1070	DN32	16
V5011S1088	DN40	25
V5011S1096	DN50	40

INSTALLATION

Water should meet VDI2035 requirements.

Do not install valve with stem below the horizontal.

Fluid flow must correspond with the arrow direction on the valve body.

The installation of a strainer is strongly recommended.

SPARE PARTS

Repair packing kit for red-brass models (old) – RG5

DN15...32: Order number 0901786

DN40...50: Order number 0901787

Repair packing kit for yellow-brass models (new) – DR

DN15...50: Order number 0901787

CLOSE-OFF PRESSURE RATINGS

Electric Actuators

Table 2. Close-off pressure ratings (in kPa) of electric actuators

actuator		valve size					
type	force	DN15	DN20	DN25	DN32	DN40	DN50
ML6420 / ML6425 ML7420 / ML7425	600 N	1600	1600	1000	700	460	260
ML6421 / ML7421	1800 N	-	-	1600	1600	1500	850

Pneumatic Actuators MP953

Table 3. Close-off pressure ratings (in kPa) of pneumatic actuators MP953

actuator			valve size						
type	spring range	air pressure	DN15 k _{vs} 0.63-2.5	DN15 k _{vs} 4	DN20	DN25	DN32	DN40	DN50
MP953C5001	14...48 kPa	115 kPa	1600	1600	1400	760	520	280	140
MP953C5027 MP953A5005	27...76 kPa		1600	1150	670	350	230	100	40
MP953C5019	55...83 kPa		1600	860	490	240	150	50	10
MP953C5068	14...48 kPa		1600	1600	1600	1600	1600	1130	630
MP953C5084 MP953A5039	27...76 kPa		1600	1600	1600	1500	1050	600	320
MP953C5076	55...83 kPa		1600	1600	1600	1190	830	460	250
MP953D5025	27...76 kPa	0 kPa	1600	1600	1050	570	390	200	90
MP953D5009 MP953B5003	55...90 kPa		1600	1600	1600	1400	980	550	300

DIMENSIONS

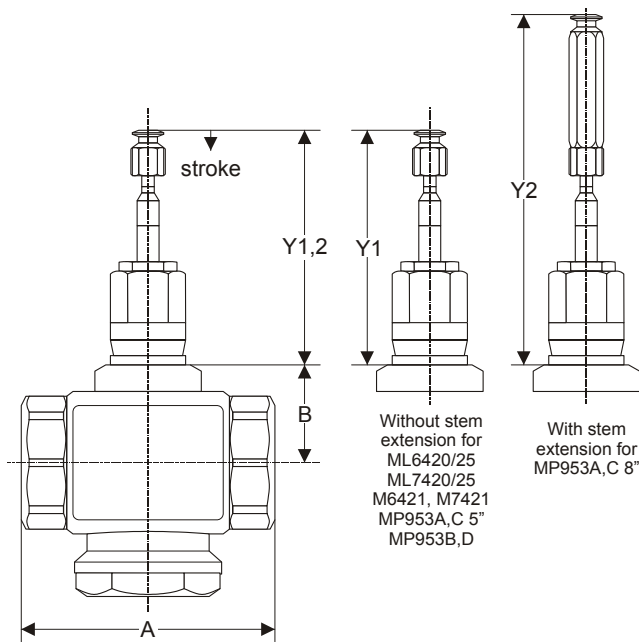


Fig. 1. Dimensions

Table 4. Dimensions (in mm)

valve size	A	B	Y ₁	Y ₂
			stem down	
DN15	83	39.5	89	133
DN20	83	39.5		
DN25	103	39.5		
DN32	106	39.5		
DN40	120	46.5		
DN50	134	46.5		

For actuator dimensions, please refer to:

ML6420A3072.....	EN0B-0411GE51
ML6420A / ML6425A,B	EN0B-0351GE51
ML7420A / ML7425A,B	EN0B-0261GE51
ML6421A,B	EN0B-0414GE51
ML7421A,B	EN0B-0416GE51
MP953A,B,C,D	EN0B-0552GE51

Honeywell

Manufactured for and on behalf of the Environmental and Combustion Controls Division of Honeywell Technologies Sàrl, Rolle, Z.A. La Pièce 16, Switzerland by its Authorized Representative:

Automation and Control Solutions

Honeywell GmbH

Böblinger Strasse 17

71101 Schönaich / Germany

Phone: (49) 7031 63701

Fax: (49) 7031 637493

<http://ecc.emea.honeywell.com>

Subject to change without notice. Printed in Germany

EN0B-0085GE51 R0413