

Product number
10080068-4FEL100LF

| ORIENTATION FRONT VIEW | ORIENTATION SIDE VIEW | DEGREE |
|---------------------------|--------------------------|--------|
| | | 0° |
| | | 90° |
| | | 180° |
| | | 270° |

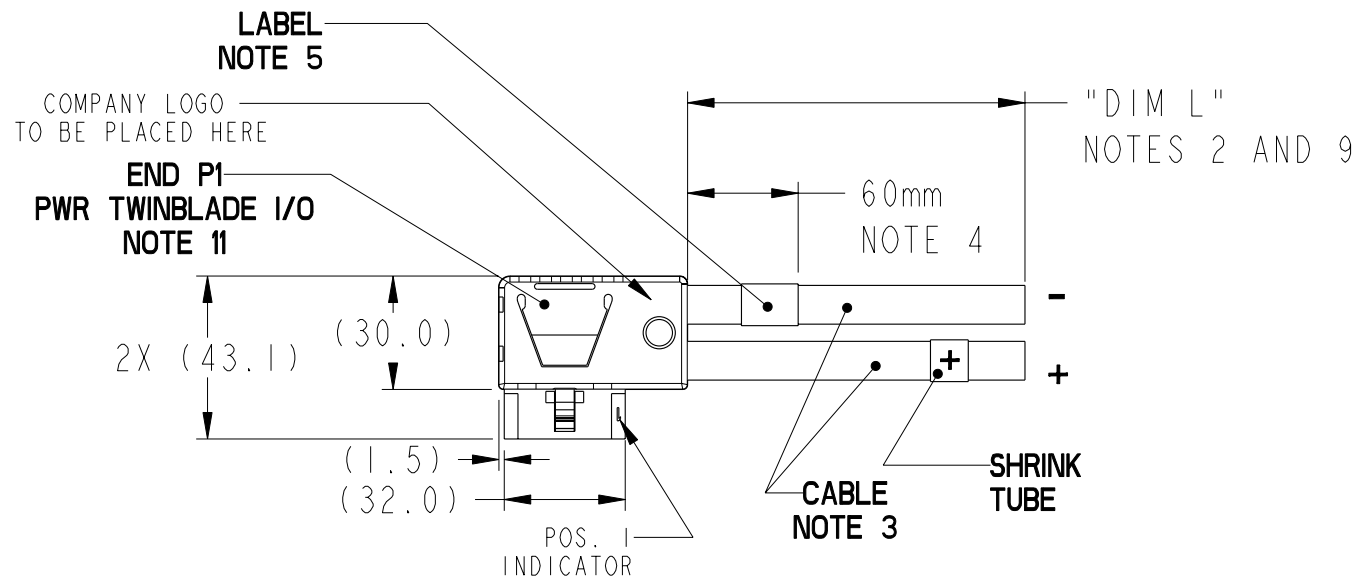
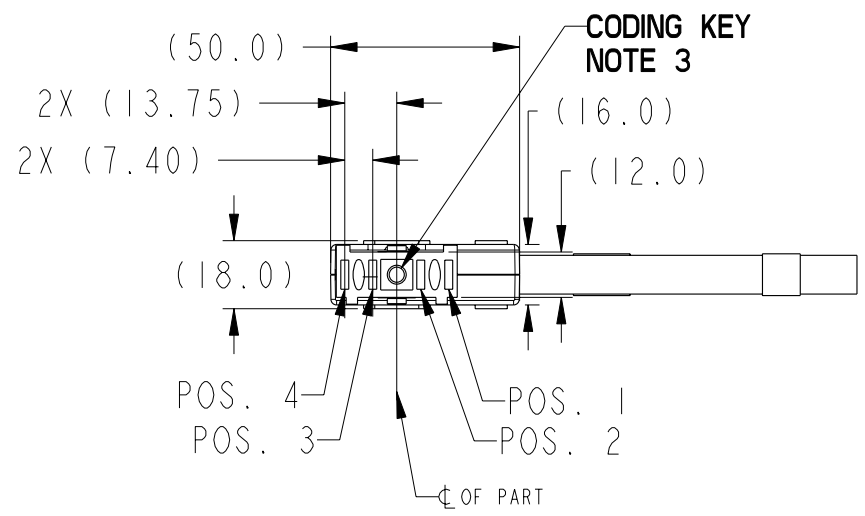


TABLE 1 (SEE NOTE 6)

| WIRING LIST | |
|-------------|---------------|
| POS. 1 | POSITIVE + |
| POS. 2 | + |
| POS. 3 | NEGATIVE - |
| POS. 4 | - |



| | | | | | |
|--------------------|-------------|---|----------------|------------|--------------------|
| www.fciconnect.com | | surface <input checked="" type="checkbox"/> | tolerance std | projection | MM |
| | | TOLERANCES UNLESS OTHERWISE SPECIFIED | | | |
| Dr | D. INGRAM | 2009-04-29 | ANGULAR | size | A4 |
| Eng | D. INGRAM | 2009-04-29 | LINEAR | Scale | 1:2 |
| Chr | D. INGRAM | 2009-04-29 | 0° ±2° | ECN | V09-0204 |
| Appr | B. BRUBAKER | 2009-04-29 | Product family | C&A | Spec ref |
| | | PWR TWINBLADE I/O | | dwg no | 10080068-4FEL100LF |
| | | R/A CABLE ASSEMBLY | | Rev. | A |
| | | catalog no | - | CUSTOMER | sheet 1 of 3 |

| rev | ecn no | dr | date |
|-----|----------|-----|------------|
| A | V09-0204 | DAI | 2009-04-29 |
| | | | |
| | | | |
| | | | |
| | | | |



Copyright FCI.

Product number
10080068-4FEL100LF

NOTES:
1. MATES WITH FCI CONNECTOR: 51939-219LF.

- ② UNLESS OTHERWISE SPECIFIED ASSEMBLED LENGTH TOLERANCE =
 < = 1 METER: $\pm 15.0\text{mm}$
 > 1 METER TO 10 METER: $\pm 2\%$ OF "DIM L"
 > 10 METER: +0.00% / -4% OF "DIM L"

- ③ PART NUMBER DESCRIPTION:
10080068 - 4 X X LXXX LF

STYLE:

| | END P1 CONNECTOR STYLE | END P2 |
|----|---------------------------|---------------------------------|
| 4: | R/A | WIRES ONLY (BLUNT CUT CABLE) |

CABLE DESCRIPTION

| | WIRE SIZE | DESCRIPTION | NOTES |
|----|-------------------|-------------|--------------|
| F: | 10mm ² | STRANDED | HALOGEN FREE |
| G: | 16mm ² | STRANDED | HALOGEN FREE |
| H: | 25mm ² | STRANDED | HALOGEN FREE |

CODING KEY:

| | ORIENTATION |
|----|-----------------------|
| A: | 0° |
| B: | 90° |
| C: | 180° |
| D: | 270° |
| E: | CUSTOMER INSTALLED |

LF: LEAD FREE (NOTE 10)

LXXX = "DIM L"
LXXX

LENGTH IN CENTIMETERS
EXAMPLES OF LXXX:
L090 = 90cm
L100 = 100cm



Copyright FCI.



| | | | |
|--|---|------------------------------|-----------|
| title PWR TWINBLADE I/O R/A CABLE ASSEMBLY catalog no | - | dwg no 10080068-4FEL100LF | Rev. A |
| | | | CUSTOMER |

Product number
10080068-4FEL100LF

A

NOTES CONTINUED:

- ④ LABEL POSITION SHALL BE 60mm FROM REAR OF CONNECTOR.
- ⑤ UNLESS OTHERWISE SPECIFIED STANDARD LABEL SHALL BE BRADY LABEL P/N THT-10-427-3.
 LABEL DETAILS;
 -MANUFACTURER CODE OR NAME
 -FCI P/N OR CUSTOMER P/N
 -REVISION
 -DATE CODE WW/YY FORMAT
 -COUNTRY ORIGIN
 FONT SHALL BE CLEARLY VISIBLE AND BLACK IN COLOR.
- ⑥ ALL CABLE ASSEMBLIES SHALL BE TESTED 100% FOR CONTINUITY AS DEFINED IN WIRING LIST.
- 7. UNLESS OTHERWISE SPECIFIED ALL CABLE ASSEMBLIES SHALL BE 100% HI-POT TESTED BY APPLYING 300V DC FOR MINIMUM OF 10ms, UNLESS ACTIVE COMPONENTS ARE USED IN THIS ASSEMBLY.
- 8. OTHER TESTING PERFORMED AS REQUIRED BY PRODUCT SPECIFICATION: GS-12-389
- ⑨ THIS DIMENSION IS A FINISHED PRODUCT LENGTH.
- ⑩ LEAD FREE PRODUCTS MEET EUROPEAN UNION DIRECTIVES AND OTHER COUNTRY REGULATIONS AS DESCRIBED IN GS-22-008.
- ⑪ ASSEMBLY SHOWN IS FOR REFERENCE ONLY AND MAY NOT SHOW ALL PART DETAIL. REFERENCE CONNECTOR ASSEMBLY DRAWINGS FOR COMPLETE DETAILS.
- 12. PACKAGING SPECIFICATION: GS-14-1325.
- 13. A "△" SYMBOL WILL BE NEXT TO ANY DIMENSION, VIEW, OR NOTE WHICH HAS BEEN MODIFIED WITH THE CURRENT DRAWING REVISION. THE CURRENT REVISION WILL BE SHOWN IN THE SYMBOL.
- 14. MATERIALS:
 TOP/BOTTOM COVERS - HIGH TEMPERATURE NYLON
 HOUSING - HIGH TEMPERATURE NYLON
 STRAIN RELIEF - NYLON
 LOCKING SPRING - HIGH TEMPERATURE NYLON
 CODING KEY - HIGH TEMPERATURE NYLON - COLOR: RED
 TERMINAL CRIMP - Cu ALLOY
 TERMNAL BLADES - Cu ALLOY
 CONDUCTOR - STRANDED COPPER
 JACKET - POLYOFELIN (PE)

B

C

D

A

B

C

D



Copyright FCI.

| | | | | | | |
|--|-------|--------------------------------|------------|--------------------|----------|--------------|
| | TITLE | PWR TWINBLADE I/O SINGLE ENDED | dwg no | 10080068-4FEL100LF | Rev. | A |
| | | R/A to R/A CABLE ASSEMBLY | catalog no | - | CUSTOMER | sheet 3 of 3 |