

Hi-Rel NPN dual matched bipolar transistor 60 V - 0.03 A

Features

BV_{CEO}	60 V
I_C (max)	0.03 A
H_{FE} at 10 V - 150 mA	> 300
Operating temperature range	-65°C to +200°C

- Hi-Rel NPN dual matched bipolar transistor
- Linear gain characteristics
- ESCC qualified
- European preferred part list - EPPL
- Radiation level: lot specific total dose contact marketing for specified level

Description

The 2N2920AHR is a silicon planar epitaxial NPN transistor in TO-77 and LCC-6 packages. It is specifically designed for aerospace Hi-Rel applications and ESCC qualified according to the 5207-002 specification. In case of conflict between this datasheet and ESCC detailed specification, the latter prevails.

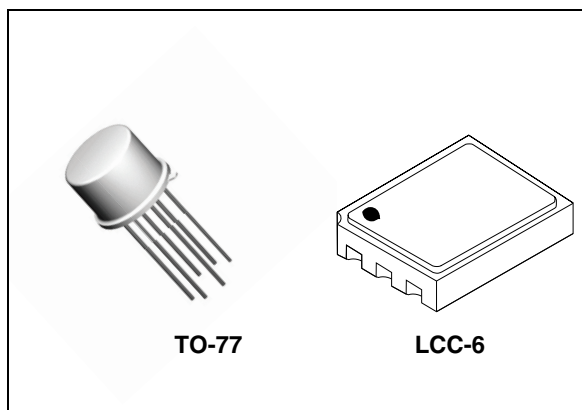


Figure 1. Internal schematic diagram

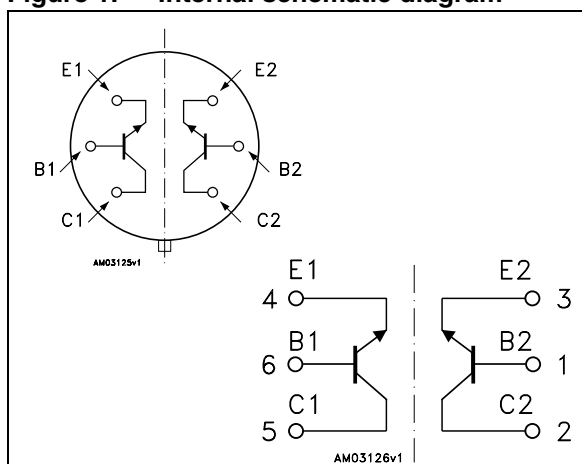


Table 1. Device summary

Order codes	Packages	Lead finish	Marking	Type	EPPL	Packaging
2N2920AHR	TO-77	Gold Solder Dip	520700203 520700206	ESCC Flight		Strip pack
2N2920AT1	TO-77	Gold	2N2920AT1	Engineering model		Strip pack
SOC2920A	LCC-6	Gold	SOC2920A	Engineering model		Waffle pack
SOC2920AHRB	LCC-6	Gold Solder Dip	520700212 520700215	ESCC Flight	Yes	Waffle pack

1 Electrical ratings

Table 2. Absolute maximum ratings

Symbol	Parameter	Value	Unit
V_{CBO}	Collector-base voltage ($I_E = 0$)	60	V
V_{CEO}	Collector-emitter voltage ($I_B = 0$)	60	V
V_{EBO}	Emitter-base voltage ($I_C = 0$)	6	V
I_C	Collector current	30	mA
P_{TOT}	Total dissipation at $T_{amb} \leq 25\text{ °C}$		
	for Root part number 1 ⁽¹⁾	0.3	W
	for Root part number 1 ⁽²⁾	0.5	W
	for 2N2920AHR ^{(1) (3)}	0.6	W
	for 2N2920AHR ^{(2) (3)}	1	W
	Total dissipation at $T_c \leq 25\text{ °C}$		
for Root part number 1 ⁽¹⁾	0.75	W	
for Root part number 1 ⁽²⁾	1.25	W	
T_{STG}	Storage temperature	-65 to 200	°C
T_J	Max. operating junction temperature	200	°C

1. One section.
2. Both sections.
3. When mounted on a 15 x 15 x 0.6 mm ceramic substrate.

Table 3. Thermal data for through-hole package

Symbol	Parameter	Value	Unit
R_{thJC}	Thermal resistance junction-case ⁽¹⁾	max	233 °C/W
	Thermal resistance junction-case ⁽²⁾	max	140 °C/W
R_{thJA}	Thermal resistance junction-ambient ⁽¹⁾	max	583 °C/W
	Thermal resistance junction-ambient ⁽²⁾	max	350 °C/W

1. One section.
2. Both sections.

Table 4. Thermal data for SMD package

Symbol	Parameter	Value	Unit
R_{thJA}	Thermal resistance junction-ambient ⁽¹⁾⁽³⁾	max	291 °C/W
	Thermal resistance junction-ambient ⁽²⁾⁽³⁾	max	175 °C/W

1. One section.
2. Both sections.
3. When mounted on a 15 x 15 x 0.6 mm ceramic substrate.

2 Electrical characteristics

$T_{\text{case}} = 25\text{ °C}$ unless otherwise specified

Table 5. Electrical characteristics

Symbol	Parameter	Test conditions	Min.	Typ.	Max.	Unit
I_{CBO}	Collector-base cut-off current ($I_{\text{E}} = 0$)	$V_{\text{CB}} = 45\text{ V}$ $V_{\text{CB}} = 45\text{ V}$ $T_{\text{C}} = 150\text{ °C}$			2 10	nA μA
I_{CEO}	Collector cut-off current ($I_{\text{B}} = 0$)	$V_{\text{CE}} = 5\text{ V}$			2	nA
I_{EBO}	Emitter-base cut-off current ($I_{\text{C}} = 0$)	$V_{\text{EB}} = 5\text{ V}$			2	nA
$V_{(\text{BR})\text{CBO}}$	Collector-base breakdown voltage ($I_{\text{E}} = 0$)	$I_{\text{C}} = 10\text{ }\mu\text{A}$	60			V
$V_{(\text{BR})\text{CEO}}^{(1)}$	Collector-emitter breakdown voltage ($I_{\text{B}} = 0$)	$I_{\text{C}} = 10\text{ mA}$	60			V
$V_{(\text{BR})\text{EBO}}$	Emitter-base breakdown voltage ($I_{\text{C}} = 0$)	$I_{\text{E}} = 10\text{ }\mu\text{A}$	6			V
$V_{\text{CE}(\text{sat})}^{(1)}$	Collector-emitter saturation voltage	$I_{\text{C}} = 1\text{ mA}$ $I_{\text{B}} = 0.1\text{ mA}$			0.35	V
$V_{\text{BE}(\text{sat})}^{(1)}$	Base-emitter saturation voltage	$I_{\text{C}} = 1\text{ mA}$ $I_{\text{B}} = 0.1\text{ mA}$	0.5		1	V
$h_{\text{FE}}^{(1)}$	DC current gain	$I_{\text{C}} = 10\text{ }\mu\text{A}$ $V_{\text{CE}} = 5\text{ V}$ $I_{\text{C}} = 100\text{ }\mu\text{A}$ $V_{\text{CE}} = 5\text{ V}$ $I_{\text{C}} = 1\text{ mA}$ $V_{\text{CE}} = 5\text{ V}$ $I_{\text{C}} = 10\text{ }\mu\text{A}$ $V_{\text{CE}} = 5\text{ V}$ $T_{\text{amb}} = -55\text{ °C}$	150 225 300 50		600	
$h_{\text{FE}2-1} / h_{\text{FE}2-2}$	DC current transfer ratio comparison	$I_{\text{C}} = 100\text{ }\mu\text{A}$ $V_{\text{CE}} = 5\text{ V}$ $T_{\text{amb}} = -55\text{ °C to }+25\text{ °C}$	0.91		1.1	
$h_{\text{FE}2-1} / h_{\text{FE}2-2}$	DC current transfer ratio comparison	$I_{\text{C}} = 100\text{ }\mu\text{A}$ $V_{\text{CE}} = 5\text{ V}$ $T_{\text{amb}} = -55\text{ °C to }+125\text{ °C}$	0.85		1.18	
$\Delta V_{\text{BE}1} - V_{\text{BE}2} $	Base-emitter voltage differential	$V_{\text{CE}} = 5\text{ V}$ $I_{\text{C}} = 10\text{ }\mu\text{A}$ $V_{\text{CE}} = 5\text{ V}$ $I_{\text{C}} = 100\text{ }\mu\text{A}$ $V_{\text{CE}} = 5\text{ V}$ $I_{\text{C}} = 1\text{ mA}$			2 1.5 2	mV mV mV
$\Delta V_{\text{BE}1} - V_{\text{BE}2} $	Base-emitter voltage differential	$V_{\text{CE}} = 5\text{ V}$ $I_{\text{C}} = 100\text{ }\mu\text{A}$ $T_{\text{amb}} = -55\text{ °C to }+25\text{ °C}$ $T_{\text{amb}} = +25\text{ °C to }+125\text{ °C}$			0.4 0.5	mV mV
I_{LK}	Leakage current between active devices	$V = 50\text{ V to }E_2, B_2, C_2$ $V = 0\text{ V to }E_1, B_1, C_1$			5	μA
f_{T}	Transition frequency	$I_{\text{C}} = 0.5\text{ mA}$ $V_{\text{CE}} = 5\text{ V}$	60			MHz

Table 5. Electrical characteristics (continued)

Symbol	Parameter	Test conditions	Min.	Typ.	Max.	Unit
h_{ob}	Output admittance	$V_{CE} = 5\text{ V}$ $I_C = 1\text{ mA}$ $f = 1\text{ kHz}$			1	μmho
h_{ib}	Input impedance	$V_{CB} = 5\text{ V}$ $I_C = 1\text{ mA}$ $f = 1\text{ kHz}$	25		32	Ω
C_{obo}	Output capacitance ($I_E = 0$)	$V_{CB} = 5\text{ V}$ $100\text{ kHz} \leq f \leq 1\text{ MHz}$			6	pF
NF	Noise figure	$V_{CE} = 5\text{ V}$ $I_C = 10\text{ }\mu\text{A}$ $R_S = 10\text{ k}\Omega$ $f = 1\text{ kHz}$ Bandwidth = 200 Hz			3	dB
NF	Noise figure	$V_{CE} = 5\text{ V}$ $I_C = 10\text{ }\mu\text{A}$ $R_S = 10\text{ k}\Omega$ $10\text{ Hz} \leq f \leq 15.7\text{ kHz}$ Bandwidth = 200 Hz			3	dB

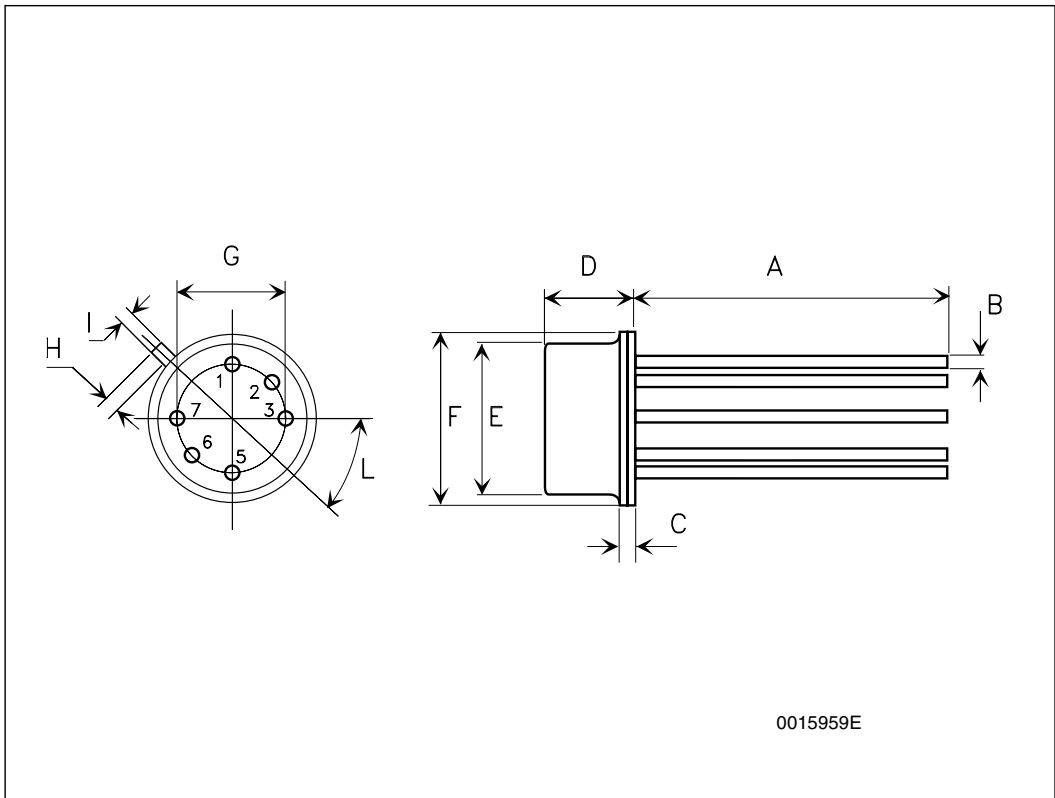
1. Pulsed duration = 300 μs , duty cycle $\leq 1.5\%$

3 Package mechanical data

In order to meet environmental requirements, ST offers these devices in different grades of ECOPACK[®] packages, depending on their level of environmental compliance. ECOPACK[®] specifications, grade definitions and product status are available at: www.st.com. ECOPACK[®] is an ST trademark.

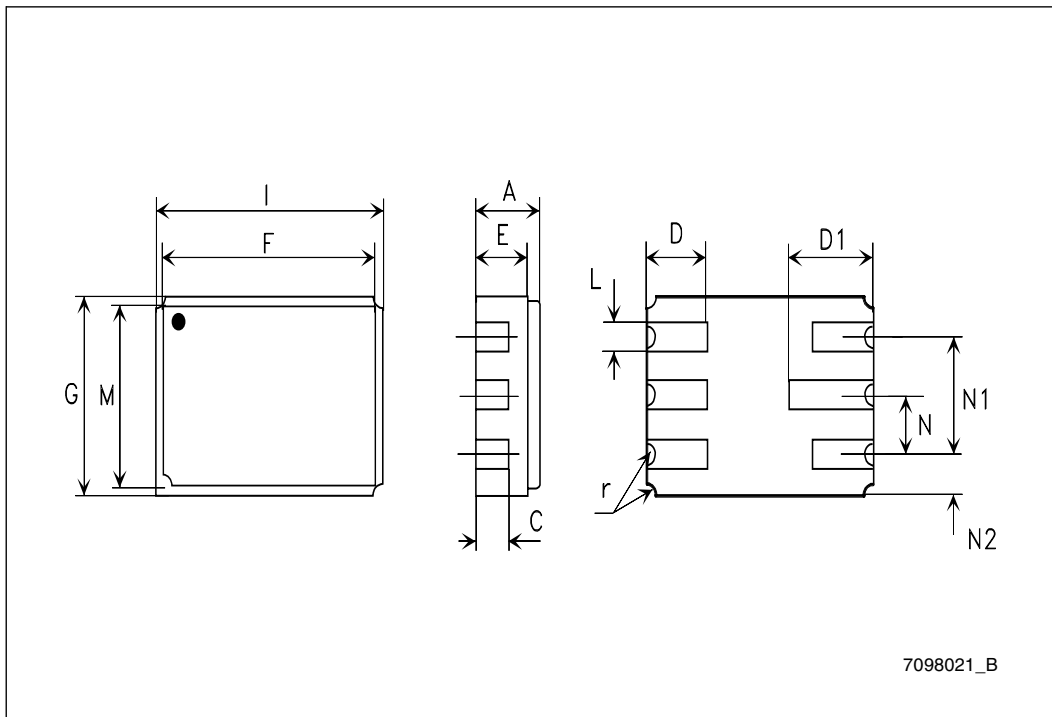
TO-77 mechanical data

Dim.	mm		
	Min	Typ	Max
A	12.70		14.20
B			0.47
C	0.55		0.76
D			6.60
E			8.51
F			9.40
G		5.08	
H			1.14
I			1.00
L		45 °	



Ceramic Leadless Chip Carrier 6 mechanical data

DIM.	mm.		
	MIN.	TYP	MAX.
A	1.53		1.96
C	0.78	0.89	0.99
D		1.65	
D1		2.28	
E		1.40	
F	5.75		5.95
G	4.15		4.50
I	6.05		6.30
L		0.63	
M	3.85		4.05
N		1.27	
N1		2.54	
N2		0.89	
r		0.23	



4 Revision history

Table 6. Document revision history

Date	Revision	Changes
10-Dec-2008	1	Initial release
05-Jan-2010	2	Modified Table 1 on page 1

Please Read Carefully:

Information in this document is provided solely in connection with ST products. STMicroelectronics NV and its subsidiaries ("ST") reserve the right to make changes, corrections, modifications or improvements, to this document, and the products and services described herein at any time, without notice.

All ST products are sold pursuant to ST's terms and conditions of sale.

Purchasers are solely responsible for the choice, selection and use of the ST products and services described herein, and ST assumes no liability whatsoever relating to the choice, selection or use of the ST products and services described herein.

No license, express or implied, by estoppel or otherwise, to any intellectual property rights is granted under this document. If any part of this document refers to any third party products or services it shall not be deemed a license grant by ST for the use of such third party products or services, or any intellectual property contained therein or considered as a warranty covering the use in any manner whatsoever of such third party products or services or any intellectual property contained therein.

UNLESS OTHERWISE SET FORTH IN ST'S TERMS AND CONDITIONS OF SALE ST DISCLAIMS ANY EXPRESS OR IMPLIED WARRANTY WITH RESPECT TO THE USE AND/OR SALE OF ST PRODUCTS INCLUDING WITHOUT LIMITATION IMPLIED WARRANTIES OF MERCHANTABILITY, FITNESS FOR A PARTICULAR PURPOSE (AND THEIR EQUIVALENTS UNDER THE LAWS OF ANY JURISDICTION), OR INFRINGEMENT OF ANY PATENT, COPYRIGHT OR OTHER INTELLECTUAL PROPERTY RIGHT.

UNLESS EXPRESSLY APPROVED IN WRITING BY AN AUTHORIZED ST REPRESENTATIVE, ST PRODUCTS ARE NOT RECOMMENDED, AUTHORIZED OR WARRANTED FOR USE IN MILITARY, AIR CRAFT, SPACE, LIFE SAVING, OR LIFE SUSTAINING APPLICATIONS, NOR IN PRODUCTS OR SYSTEMS WHERE FAILURE OR MALFUNCTION MAY RESULT IN PERSONAL INJURY, DEATH, OR SEVERE PROPERTY OR ENVIRONMENTAL DAMAGE. ST PRODUCTS WHICH ARE NOT SPECIFIED AS "AUTOMOTIVE GRADE" MAY ONLY BE USED IN AUTOMOTIVE APPLICATIONS AT USER'S OWN RISK.

Resale of ST products with provisions different from the statements and/or technical features set forth in this document shall immediately void any warranty granted by ST for the ST product or service described herein and shall not create or extend in any manner whatsoever, any liability of ST.

ST and the ST logo are trademarks or registered trademarks of ST in various countries.

Information in this document supersedes and replaces all information previously supplied.

The ST logo is a registered trademark of STMicroelectronics. All other names are the property of their respective owners.

© 2010 STMicroelectronics - All rights reserved

STMicroelectronics group of companies

Australia - Belgium - Brazil - Canada - China - Czech Republic - Finland - France - Germany - Hong Kong - India - Israel - Italy - Japan - Malaysia - Malta - Morocco - Philippines - Singapore - Spain - Sweden - Switzerland - United Kingdom - United States of America

www.st.com