

**PLEASE CHECK WWW.MOLEX.COM FOR LATEST PART INFORMATION**

**Part Number:** [0510520300](#)  
**Status:** **Active**  
**Description:** 2.50mm (.098") Pitch Cable Holder, Vertical, for Ribbon Cable, 3 Circuits

**Documents:**

[3D Model](#) [Product Specification PS-51052-002 \(PDF\)](#)  
[Drawing \(PDF\)](#) [RoHS Certificate of Compliance \(PDF\)](#)  
[Product Specification PS-51052-001 \(PDF\)](#)

**General**

Product Family Ribbon Cable / Wire Trap Connectors  
 Series [51052](#)  
 Component Type One Piece  
 Glow-Wire Compliant No  
 Product Name Board-In, Cable Holder

**Physical**

Circuits (Loaded) 3  
 Circuits (maximum) 3  
 Color - Resin Natural  
 Entry Angle Vertical  
 Lock to Mating Part None  
 Material - Resin Nylon  
 Number of Rows 1  
 PCB Locator Yes  
 PCB Retention Yes  
 PCB Thickness Recommended (in) 0.062 In  
 PCB Thickness Recommended (mm) 1.60 mm  
 Packaging Type Bag  
 Pitch - Mating Interface (in) 0.098 In  
 Pitch - Mating Interface (mm) 2.50 mm  
 Pitch - Term. Interface (in) 0.098 In  
 Pitch - Term. Interface (mm) 2.50 mm  
 Polarized to Mating Part No  
 Polarized to PCB No  
 Shrouded Fully  
 Stackable No  
 Surface Mount Compatible (SMC) No  
 Temperature Range - Operating -40°C to +105°C  
 Wire Insulation Diameter 1.70mm (.067") max.  
 Wire Size AWG 24, 26  
 Wire/Cable Type Ribbon Cable

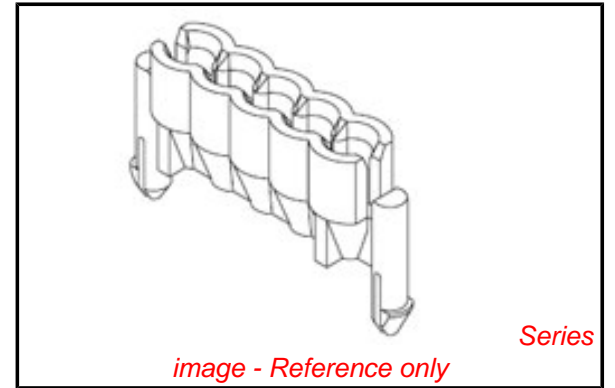
**Electrical**

Current - Maximum per Contact N/A  
 Voltage - Maximum N/A

**Material Info**

**Reference - Drawing Numbers**

Product Specification PS-51052-001, PS-51052-002, RPS-51052-003  
 Sales Drawing SD-51052-001



**EU RoHS**

**ELV and RoHS  
 Compliant**  
**REACH SVHC  
 Contains SVHC: No**  
**Halogen-Free  
 Status  
 Not Reviewed**

**China RoHS**



**Need more information on product  
 environmental compliance?**

Email [productcompliance@molex.com](mailto:productcompliance@molex.com)  
 For a multiple part number RoHS Certificate of  
 Compliance, [click here](#)

Please visit the [Contact Us](#) section for any  
 non-product compliance questions.

**Search Parts in this Series**

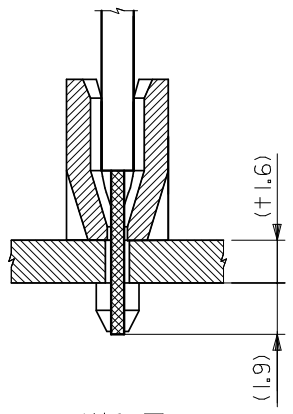
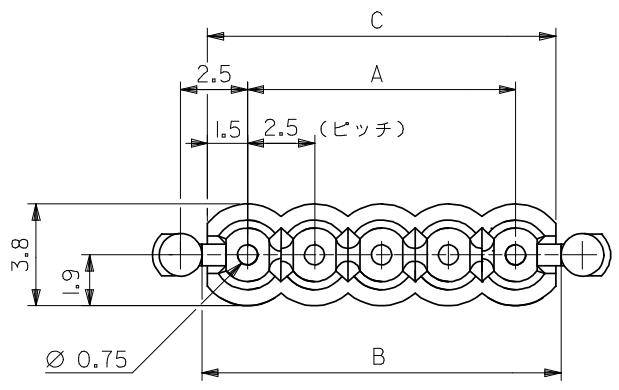
[51052Series](#)

**Mates With**

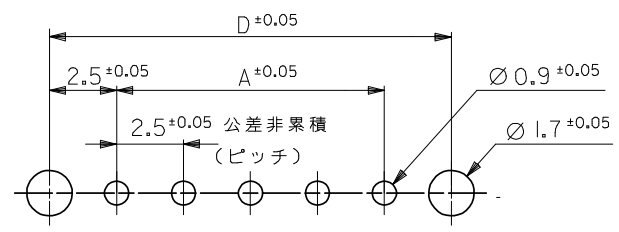
N/A

**Use With**

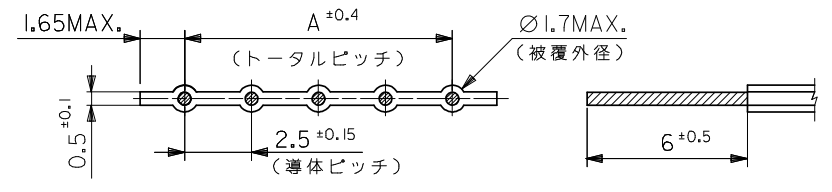
Topcoated ribbon cable



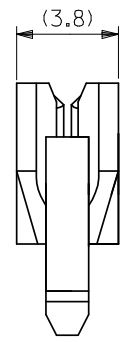
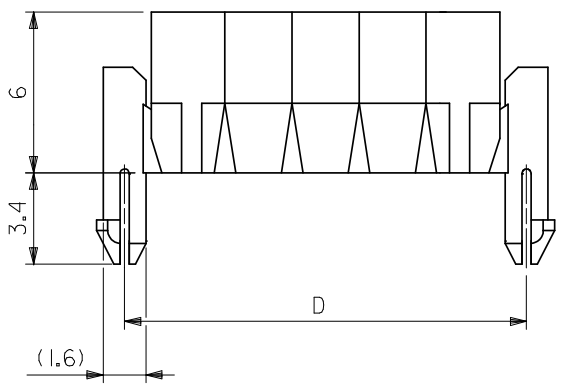
電線挿入図



基板取付穴推奨寸法  
(+1.6±0.05)



適合電線推奨寸法

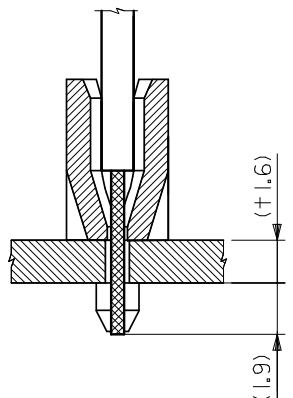
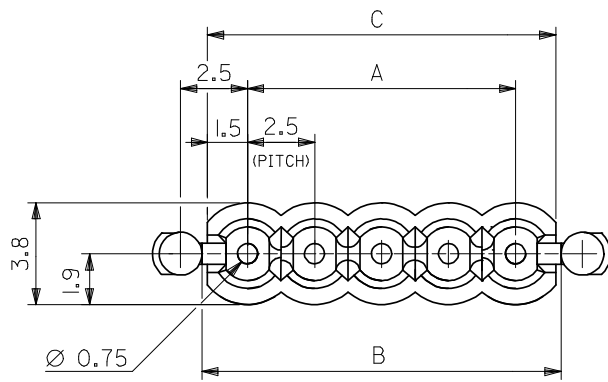


注記

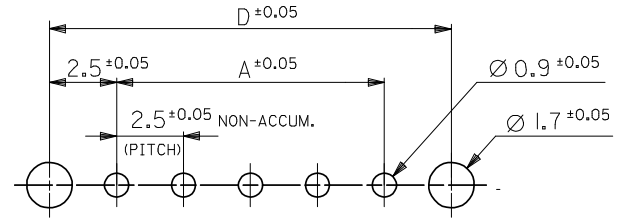
1. 材料：ナイロン66, UL 94V-2
2. 適合電線：2.5mmピッチリボンケーブル  
AWG #24 ~ 26 錫コート平行線
3. 生産国 (トレードマーク)：日本 (MXJ-大和, MXH-塩谷)  
マレーシア (MXL)

42.5	40.5	40.9	37.5	VO	<del>51052-1600</del>	16
40.0	38.0	38.4	35.0	VO	<del>1500</del>	15
37.5	35.5	35.9	32.5	VO	<del>1400</del>	14
35.0	33.0	33.4	30.0	VO	<del>1300</del>	13
32.5	30.5	30.9	27.5	VO	<del>1200</del>	12
30.0	28.0	28.4	25.0	VO	<del>1100</del>	11
27.5	25.5	25.9	22.5	VO	<del>1000</del>	10
25.0	23.0	23.4	20.0	VO	<del>0900</del>	9
22.5	20.5	20.9	17.5	VO	<del>0800</del>	8
20.0	18.0	18.4	15.0	VO	<del>0700</del>	7
17.5	15.5	15.9	12.5	VO	<del>0600</del>	6
15.0	13.0	13.4	10.0	VO	<del>0500</del>	5
12.5	10.5	10.9	7.5	VO	<del>0400</del>	4
10.0	8.0	8.4	5.0		<del>-0300</del>	3
7.5	5.5	5.9	2.5	VO	<del>51052-0200</del>	2
D	C	B	A		ENG. NO.	極数

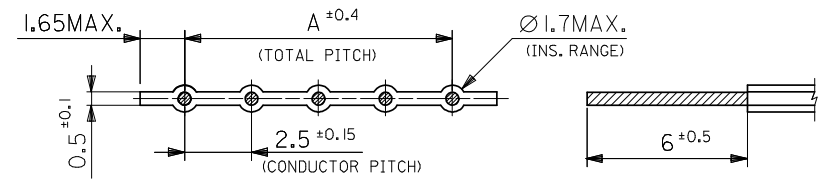
REVISED EC NO: J2008-2948 DRW: NAKAMURAA 2008/03/31 CHKD: T. HARUYAMA 2008/04/22 APPR: NUKITA 2008/06/03	GENERAL TOLERANCES (UNLESS SPECIFIED)		DIMENSION STYLE MM ONLY		SCALE 5:1	DESIGN UNITS METRIC	THIRD ANGLE PROJECTION
	10 UNDER	±0.2	DRAWN BY T. ITOH	DATE	TITLE 2.5MM PITCH CABLE HOLDER (FOR 6 MM STRIP LENGTH)		
	10 OVER 30 UNDER	±0.25	CHECKED BY M. FUKUSHIMA	DATE '97/7/4	MOLEX INCORPORATED		
	30 OVER	±0.3	APPROVED BY M. FUKUSHIMA	DATE '97/7/4	DOCUMENT NO. SD-51052-001		
	ANGULAR	±3°	MATERIAL NO. SEE TABLE		SHEET NO. 1 OF 2		
DRAFT WHERE APPLICABLE MUST REMAIN WITHIN DIMENSIONS		THIS DRAWING CONTAINS INFORMATION THAT IS PROPRIETARY TO MOLEX INCORPORATED AND SHOULD NOT BE USED WITHOUT WRITTEN PERMISSION					



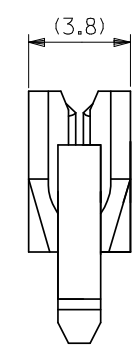
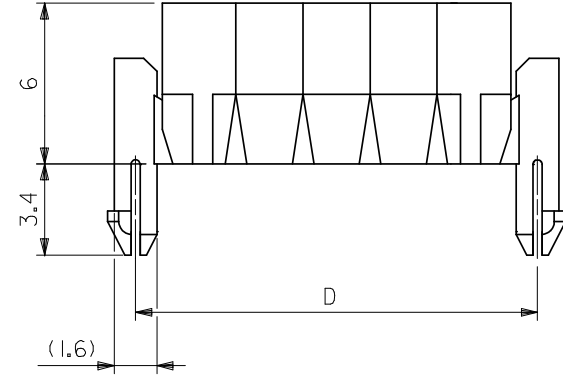
SECT.(CABLE ASS'Y)



RECOMMENDED P.C. BOARD HOLE DIM.  
( $\pm 1.6 \pm 0.05$ )



RECOMMENDED WIRE DIM.



NOTES

- MATERIAL : NYLON 66, UL 94V-2
- APPLIED WIRE : 2.5mm PITCH RIBBON CABLE  
AWG#24~26  
TIN TOP COATED WIRE
- PLACE OF MANUFACTURE (TRADE-MARK) :  
JAPAN (MXJ-YAMATO, MXH-SHIOYA)  
MALAYSIA (MXL)

42.5	40.5	40.9	37.5	VO	<del>51052-1600</del>	16
40.0	38.0	38.4	35.0	VO	<del>1500</del>	15
37.5	35.5	35.9	32.5	VO	<del>1400</del>	14
35.0	33.0	33.4	30.0	VO	<del>1300</del>	13
32.5	30.5	30.9	27.5	VO	<del>1200</del>	12
30.0	28.0	28.4	25.0	VO	<del>1100</del>	11
27.5	25.5	25.9	22.5	VO	<del>1000</del>	10
25.0	23.0	23.4	20.0	VO	<del>0900</del>	9
22.5	20.5	20.9	17.5	VO	<del>0800</del>	8
20.0	18.0	18.4	15.0	VO	<del>0700</del>	7
17.5	15.5	15.9	12.5	VO	<del>0600</del>	6
15.0	13.0	13.4	10.0	VO	<del>0500</del>	5
12.5	10.5	10.9	7.5	VO	<del>0400</del>	4
10.0	8.0	8.4	5.0		<del>-0300</del>	3
7.5	5.5	5.9	2.5	VO	<del>51052-0200</del>	2
D	C	B	A		ENG. NO.	CKT.

REVISED EC NO: J2008-2948 DRW: NAKAMURAA 2008/03/31 CHKD: T. HARUYAMA 2008/04/22 APPR: NUKITA 2008/06/03	GENERAL TOLERANCES (UNLESS SPECIFIED)		DIMENSION STYLE MM ONLY		SCALE 5:1	DESIGN UNITS METRIC	THIRD ANGLE PROJECTION	
	10 UNDER	$\pm 0.2$	DRAWN BY T. ITOH		TITLE 2.5MM PITCH CABLE HOLDER (FOR 6MM STRIP LENGTH)			
	10 OVER 30 UNDER	$\pm 0.25$	CHECKED BY M. FUKUSHIMA		DATE '97/7/4			
	30 OVER	$\pm 0.3$	APPROVED BY M. FUKUSHIMA		DATE '97/7/4			
	ANGULAR	$\pm 3^\circ$	MATERIAL NO. SEE TABLE		DOCUMENT NO. SD-51052-001		SHEET NO. 2 OF 2	
DRAFT WHERE APPLICABLE MUST REMAIN WITHIN DIMENSIONS		THIS DRAWING CONTAINS INFORMATION THAT IS PROPRIETARY TO MOLEX INCORPORATED AND SHOULD NOT BE USED WITHOUT WRITTEN PERMISSION						