

Tous droits strictement réservés. Reproduction ou communication à des tiers interdite sous quelque forme que ce soit sans autorisation écrite du propriétaire. Property of FCI bv. © FCI bv.



All rights strictly reserved. Reproduction or issue to third parties in any form whatever is not permitted without written authority from the proprietor. Property of FCI bv. © FCI bv.

Table 1 Partnumber composition table

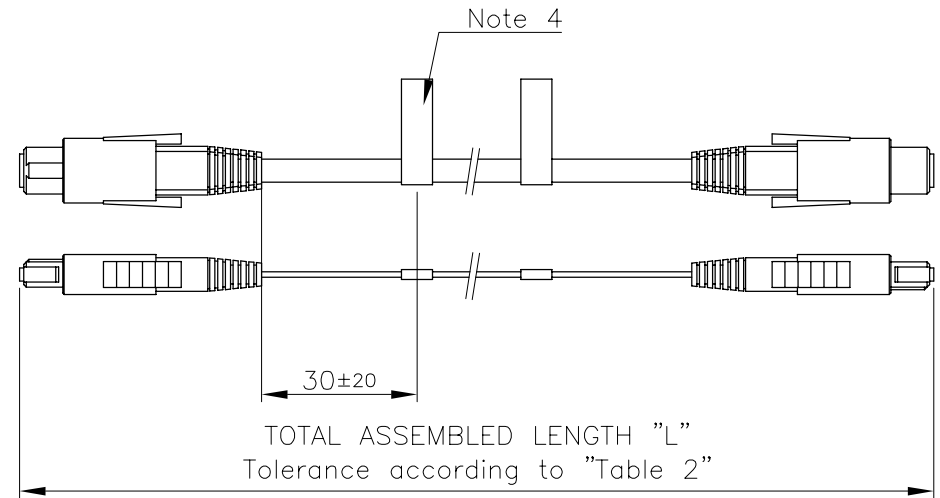
P/N 99408-X YY ZZZ		
X	YY	ZZZ
S		9/125 single mode
M		50/125 multi mode
N		62.5/125 multi mode
P0	OFNP ribbon cable 12 Fibers	
P3	OFNP ribbon cable 8 Fibers	
S0	Bare ribbon 12 Fibers	
S3	Bare ribbon 8 Fibers	
B0	Bare ribbon 12 Fibers with flexible protection	
B3	Bare ribbon 8 Fibers with flexible protection	
	ZZZ	Length "L" in meters, decimal by placing X e.g. 3X5= 3.5 m tolerance see table 2
	ZZC	Length "L" in centimeters, tolerance see table 2

Table 2: Standard Tolerance on Lead Length

Length "L" [m]	Tolerance [cm]
0.00 m - 0.50 m	+5 cm / -0 cm
0.51 m - 1.00 m	+10 cm / -0 cm
1.01 m - 10.00 m	+15 cm / -0 cm
10.01 m - 25.00 m	+25 cm / -0 cm
25.01 m - 50.00 m	+50 cm / -0 cm
50.01 m - 200.00 m	+100 cm / -0 cm
200.01 m -	+200 cm / -0 cm

Table 3: Standard Optical loss specification

Fiber type	Insertion loss		Return loss
	Typical	Maximum	Minimum
Single mode	0.5 dB	<0.8 dB	>45 dB
Multi mode	0.5 dB	<0.8 dB	n.a.



NOTES:

1. Compose partnumber according to table 1.
2. All connectors must be equipped with their dust-cover/protection-cap.
3. All assemblies need to be in compliance with IEC requirements as described in IEC 61300-X-X. Insertion/return loss are specified in table 3.
4. Labeling according to TA-1182 "Label&Marking FO Leads".
5. Packaging according to SPAN0222.
6. Used components are UL94-V0 rated.
7. For more information on MPO-connector, see 99041.

mat'l. code		tolerances unless otherwise specified		CUSTOMER COPY		FCI ELECTRONICS www.fciconnect.com	
ltr	ecn no	dr	date	linear	projection	title	
A	H10385	LLA	011023			FO LEADS	
B	H20042	LLA	020208	angles	mm	MPO/PC fm JP	
C	H20071	LLA	020315			product family Fiber Optics	
				dr	L. Lange	011023	code
				engr	L. Lange	011023	213
				chr	J. v. Koetsem	011023	size
				appd	J. v. Koetsem	011023	dwg no
sheet	revision	C		scale	1:1	A3	99408
index	sheet	1					sheet
							1 of 1